

4

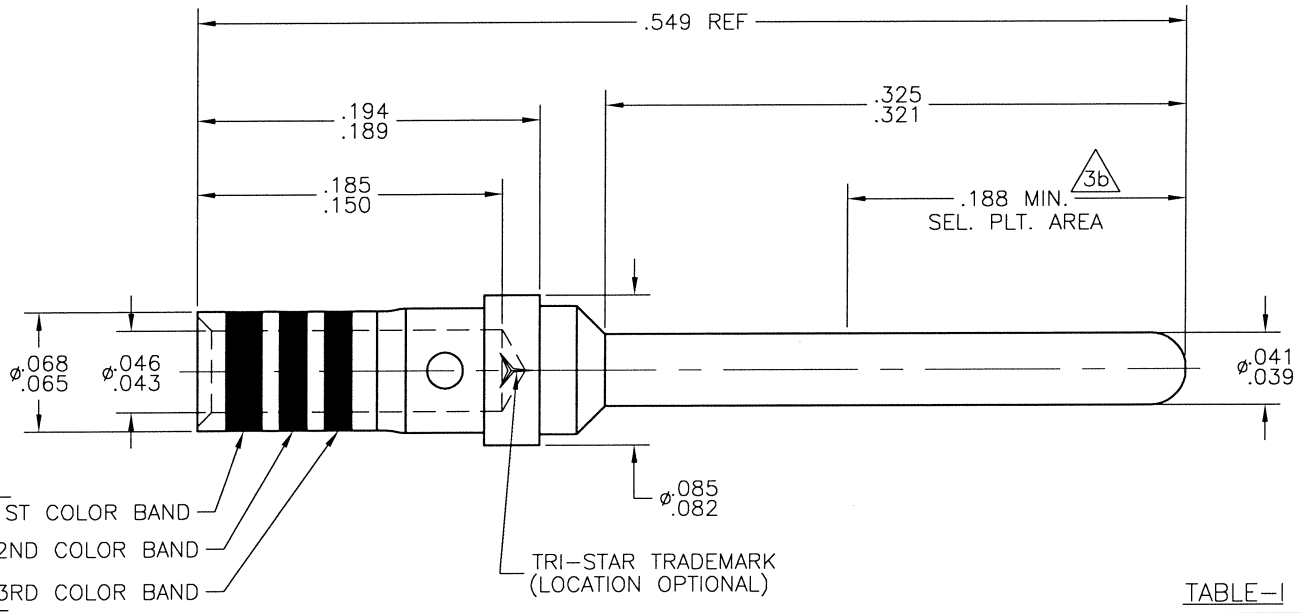
3

2

REV J SH 1 DWG NO. 3\*\*-2020-055-\*

THIS DOCUMENT CONTAINS PROPRIETARY INFORMATION AND EXCEPT WITH WRITTEN PERMISSION OF TRI-STAR ELECTRONICS INT'L, INC., SUCH INFORMATION SHALL NOT BE PUBLISHED, OR DISCLOSED TO OTHERS, OR USED FOR ANY PURPOSE, AND THE DOCUMENT SHALL NOT BE DUPLICATED IN WHOLE OR IN PART.

REVISIONS				
ZONE	LTR	DESCRIPTION	DATE	APPD
	G	REVISED PER E.O. 19840	9/3/09	LBO
	H	REVISED PER E.O. 20239	4/26/10	LBO
	J	REVISED PER E.O. 23186	5-5-15	[Signature]



SEE TABLE-I

1ST COLOR BAND

2ND COLOR BAND

3RD COLOR BAND

TRI-STAR TRADEMARK (LOCATION OPTIONAL)

TABLE-I

MILITARY PART NUMBER	TRI-STAR PART NUMBER	FINISH	COLOR CODING			TSEI LOGO
			1ST	2ND	3RD	
AS39029/64-369	317-2020-055	3a	ORANGE	BLUE	WHITE	YES
	317-2020-055-L	3b				
	31A-2020-055	3a	RED	RED	NONE	
	329-2020-055	3a	NONE			NONE

4. CRIMP TOOL DATA:  
 BASIC CRIMP TOOL - M22520/2-01  
 POSITIONER - M22520/2-08

- 3 FINISH:
- a). GOLD PLATE PER MIL-DTL-45204, TYPE II, GRADE C, .000050 MIN. THK. OVER .000040 MIN. THK. NICKEL PLATE PER SAE-AMS-QQ-N-290
  - b). OVERALL PLATING: GOLD FLASH PER MIL-DTL-45204, TYPE I, OVER .000040 MIN. THK. NICKEL PLATE PER AMS-QQ-N-290
- SELECTIVE PLATING: GOLD PLATE PER MIL-DTL-45204, TYPE II, GRADE C, .000050 MIN. THK.

2 MATERIAL: SUITABLE COPPER ALLOY PER AS39029.

1. www.carlisleit.com

NOTES: (UNLESS OTHERWISE SPECIFIED)

SALES DRAWING

QTY. REQ'D	FSOM NO.	PART OR IDENTIFYING NO.	NOMENCLATURE OR DESCRIPTION	MATERIAL SPECIFICATION	ITEM NO.
PARTS LIST					
UNLESS OTHERWISE SPECIFIED DIMENSIONS ARE IN INCHES. TOLERANCES ARE:		CONTRACT NO.		TRI-STAR ELECTRONICS INT'L, INC. 2201 ROSECRANS AVENUE, EL SEGUNDO, CA 90245	
ANGLES ±30'	.XX ±.01	.XXX ±.005	RATING:	DWG TITLE CONTACT ELECTRICAL CONNECTOR, PIN, CRIMP REMOVABLE, #20	
DO NOT SCALE DRAWING			APPROVALS	DATE	
MATERIAL: 2	TREATMENT:	FINISH: 3	DRAWN: L. PABLO	8-2-99	
REF:	NEXT ASSEMBLY	USED ON	CHECKED: M.T.	8-12-99	SIZE A
APPLICATION			APPROVED: B.H.	8-13-99	CAGE CODE 55104
			APPROVED: L.K.	8-13-99	DWG NO. 3**-2020-055-*
					REV J
			SCALE: NONE	CAD NO:	SHEET 1 OF 1

4

3

2

1

## X-ON Electronics

Largest Supplier of Electrical and Electronic Components

*Click to view similar products for* [Circular MIL Spec Contacts](#) *category:*

*Click to view products by* [Carlisle Interconnect Technologies](#) *manufacturer:*

Other Similar products are found below :

[006-1189-20](#) [M39029/106-616](#) [71-VEAM](#) [809-023](#) [809-111](#) [811393-000](#) [850-014](#) [97-45-1418P-4\(0920\)](#) [97-45-1418S-4](#) [D-602-0106CS076](#)  
[AIC12-14P](#) [AIC16-16PG](#) [AIC8-12P](#) [AIC8-8SG](#) [AIC8-8SRAD](#) [1495044-1](#) [BACC47CP2T](#) [BACC47DP4](#) [BACC47GC1A](#) [BACC47GN1](#)  
[16968/2C](#) [241611N001](#) [2560-220-2031](#) [27963-12T112](#) [27963-15T112](#) [27964-38T112](#) [2M809-118](#) [97-67-36-20](#) [AIC12-16P](#) [AIC16-18PG](#)  
[AIC16-20PG](#) [AIC4-4PG](#) [AIC8-10P](#) [CE102S-18](#) [M39029/30-221](#) [M39029/77-430](#) [416-2020-088I](#) [MDM-21SH003B-F222](#) [BACC47CN2](#)  
[BACC47CN3S](#) [BACC47GC3A](#) [BACC47GD3A](#) [BACC47GM1](#) [52G137 REV A](#) [D-602-1116CS2727](#) [D-602-1117CS2727](#) [419-2082-102](#)  
[419-2085-102](#) [419-2087-001](#) [432703033601](#)