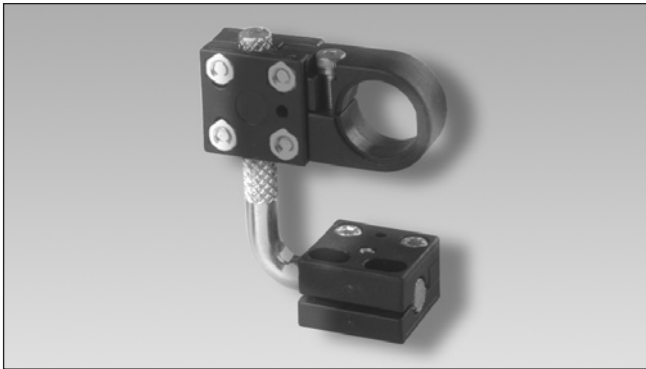


Photoelectrics Accessories Type AMB4-30, Mounting Bracket

CARLO GAVAZZI



- Secure fixing
- Simple mounting
- Mounting head and foot may be independently rotated through 360°
- Robust construction
- 5 adaptor bushes for sensors Ø4, Ø5, Ø8, Ø12 and Ø14 mm
- 2 mounting heads for Ø18 or Ø30 mm

Product Description

Universal mounting for all cylindrical sensors with Ø4 to Ø30 mm. The mounting adaptor is supplied complete with 2 mounting heads (Ø18 and Ø30 mm) and 5 adaptor bushes (Ø4, Ø5, Ø8, Ø12 and Ø14 mm).

Ordering Key

AMB 4-30

Mounting bracket
Diameter

Type Selection

| For sensors with diameter | Ordering no. |
|---------------------------|--------------|
| 4 to 30 mm | AMB4-30 |

Specifications

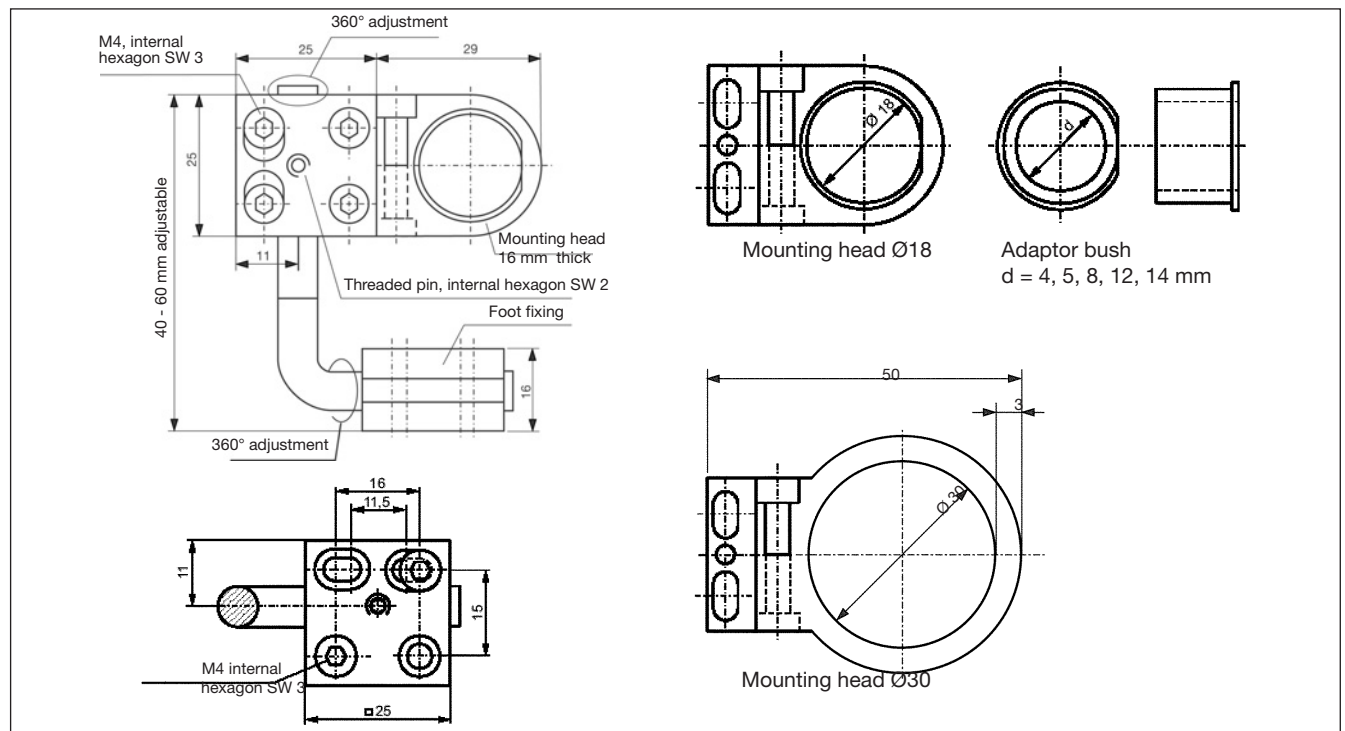
Material
Plast parts
Fasteners
Pin
Fixing screws and nuts

Nylon 66, black
Stainless steel
Zinc plated, knurled
Zinc plated

Delivery Contents

- Mounting bracket AMB4-30 including 5 adaptor bushes
- Two M4 x 20 mm screws
- Two M4 nuts

Dimensions



X-ON Electronics

Largest Supplier of Electrical and Electronic Components

Click to view similar products for [Mounting Fixings](#) category:

Click to view products by [Carlo Gavazzi](#) manufacturer:

Other Similar products are found below :

[5912235-1 REV](#) - [5912235-2](#) [007541](#) [627](#) [M3783-7001](#) [71-074914-006](#) [71-441549-19S](#) [75-69211-3P](#) [75-69214-6P](#) [75-69224-28P](#) [75-69232-17S](#) [7717-8DAP](#) [85043GULPR](#) [85047GULPT](#) [85054GBEPR](#) [FPK-02-R10](#) [PMS27488-001-01](#) [1-18023-0](#) [H-118-2](#)
[D83999/20WC8SN](#) [DB1](#) [1302030464](#) [DC31-14W19PN](#) [DC31-14W19PW](#) [DC31E14-19PX](#) [DC31E14-19PY](#) [DC32-18W32SN](#)
[DC36-18-32SW](#) [DC36-18-32SX](#) [DC37-14-19PW](#) [DC37-22-21PX](#) [DC37E14-19PN](#) [DC37E14-19PX](#) [DC37E14-19PY](#) [1302010957](#)
[1302263564](#) [1302340393](#) [1404-0016-78](#) [14540](#) [149331-9811](#) [1561-60](#) [1566](#) [1566](#) [17542](#) [HS5659MB98PN](#) [NT20SATT01](#)
[201C5058-01-201 REV E](#) [22594-8](#) [KBB-141](#) [89078GBEPR](#)