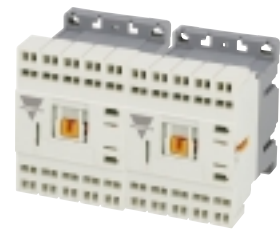


# Mini contactors

## Reversing / DC coil

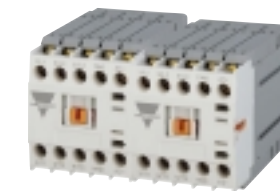
### Reversing contactors

- For motor control
- Mechanically interlocked
- Coil voltage : D.C.



#### Cage clamp connection types

Frame size	AC3 ratings (IEC60947-4)				AC1 rating lth	Auxiliary contact (standard)	Type
	220 ~ 240V	380 ~ 440V	500 ~ 550V	690V			
6A	1.5kW 7A	2.2kW 6A	3kW 5A	3kW 4A	20A	1NO or 1NC	CGMUC-6D
9A	2.2kW 9A	4kW 9A	3.7kW 6A	4kW 5A	20A	1NO or 1NC	CGMUC-9D
12A	3kW 12A	5.5kW 12A	4kW 7A	4kW 5A	20A	1NO or 1NC	CGMUC-12D
16A	4kW 15A	7.5kW 16A	5.5kW 9A	4kW 5A	20A	1NO or 1NC	CGMUC-16D



#### Solder pin connection types

Frame size	AC3 ratings (IEC60947-4)				AC1 rating lth	Auxiliary contact (standard)	Type
	220 ~ 240V	380 ~ 440V	500 ~ 550V	690V			
6A	1.5kW 7A	2.2kW 6A	3kW 5A	3kW 4A	20A	1NO or 1NC	CGMUP-6D
9A	2.2kW 9A	4kW 9A	3.7kW 6A	4kW 5A	20A	1NO or 1NC	CGMUP-9D
12A	3kW 12A	5.5kW 12A	4kW 7A	4kW 5A	20A	1NO or 1NC	CGMUP-12D
16A	4kW 15A	7.5kW 16A	5.5kW 9A	4kW 5A	20A	1NO or 1NC	CGMUP-16D

#### Coil voltage, DC

- ① Standard type : 12, 20, 24, 36, 42, 48, 60, 72, 110, 120, 125, 220, 240, 250V DC
- ② Low consumption type : 12, 20, 24, 48, 72, 110, 120V DC(Low)
- ③ Wide Voltage : 12, 20, 24, 48, 72, 110, 12V DC(Wide)

#### Ordering information

Type, Auxiliary contact and Coil voltage

#### For more information

- Drawings → page 34
- Overload relays → page 27
- Optional accessories → page 29~33

**Certificate**  
CE, ULcUL

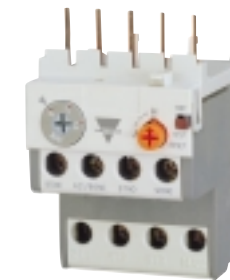
# Mini overload relays

## Bimetallic style

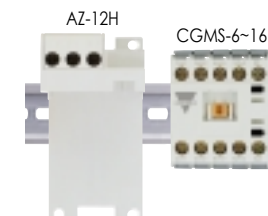


### Description

- Direct mount on the mini contactors with screw clamp connection. contactor types : CGMS-6A(D), CGMS-9A(D), CGMS-12A(D), CGMS-16A(D)
- DIN rail or screw mountable with the optional base AZ-12H
- Small physical size : 44 mm wide
- 1NO+1NC trip contacts
- Trip class 10A according to IEC60947-4-1
- Differential current/Phase failure protection : CGT types
- Non-differential CGTH types are available for the economic solution
- Ambient compensated -5 to 40 °C
- Manual/Automatic reset convertible.
- Remote reset is optional
- Trip free designed



CGT-12M



Separate mount

Direct mount



CGT-12M

#### Catalog No.

Setting ranges(A)	Differential type	Non-differential type	
	3-heater	3-heater	2-heater
0.1 - 0.16	CGT-12M • 0.16	CGTH-12MH/3 • 0.16	CGTH-12MH • 0.16
0.16 - 0.25	CGT-12M • 0.25	CGTH-12MH/3 • 0.25	CGTH-12MH • 0.25
0.25 - 0.4	CGT-12M • 0.4	CGTH-12MH/3 • 0.4	CGTH-12MH • 0.4
0.4 - 0.63	CGT-12M • 0.63	CGTH-12MH/3 • 0.63	CGTH-12MH • 0.63
0.63 - 1	CGT-12M • 1	CGTH-12MH/3 • 1	CGTH-12MH • 1
1 - 1.6	CGT-12M • 1.6	CGTH-12MH/3 • 1.6	CGTH-12MH • 1.6
1.6 - 2.5	CGT-12M • 2.5	CGTH-12MH/3 • 2.5	CGTH-12MH • 2.5
2.5 - 4	CGT-12M • 4	CGTH-12MH/3 • 4	CGTH-12MH • 4
4 - 6	CGT-12M • 6	CGTH-12MH/3 • 6	CGTH-12MH • 6
5 - 8	CGT-12M • 8	CGTH-12MH/3 • 8	CGTH-12MH • 8
6 - 9	CGT-12M • 9	CGTH-12MH/3 • 9	CGTH-12MH • 9
7 - 10	CGT-12M • 10	CGTH-12MH/3 • 10	CGTH-12MH • 10
9 - 13	CGT-12M • 13	CGTH-12MH/3 • 13	CGTH-12MH • 13
12 - 16	CGT-12M • 16	CGTH-12MH/3 • 16	CGTH-12MH • 16

#### Auxiliary (Trip) contact rating

AC15(11) duty			DC13(11) duty	
110V	220V	550V	110V	220V
2.5(0.3)A	2(0.3)A	1(0.3)A	0.28A	0.14A

Note) Values of ( ) are the ratings of NO contact under auto reset mode.

#### For more information

- Drawings → page 37
- Mini Contactors → page 18~26
- Starters → page 32
- Separate mounting unit → page 33
- Operating curves → page 39

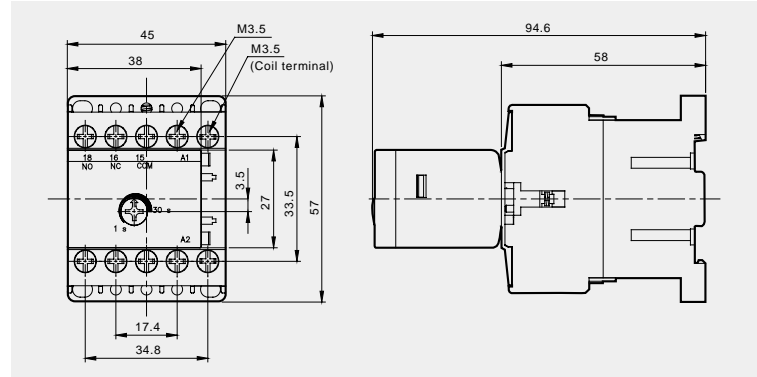
**Certificate**  
CE, ULcUL

# Mini contactors

## Dimensions

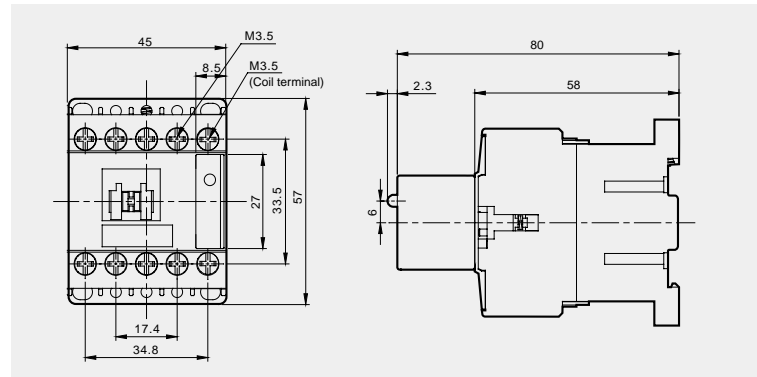


**CGMS-12A**  
+  
**AT-12M**



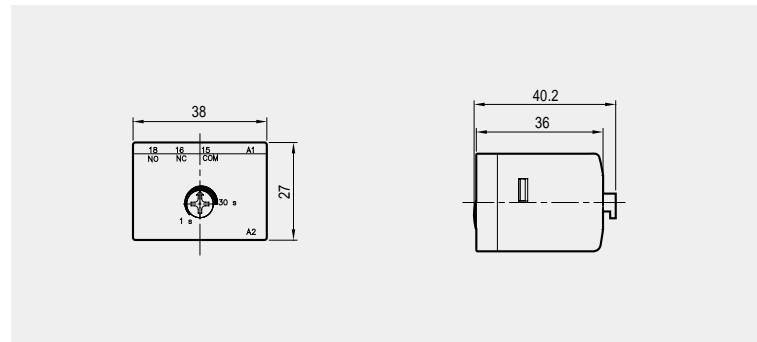
0.21kg

**CGMS-12D**  
+  
**AS-12M**



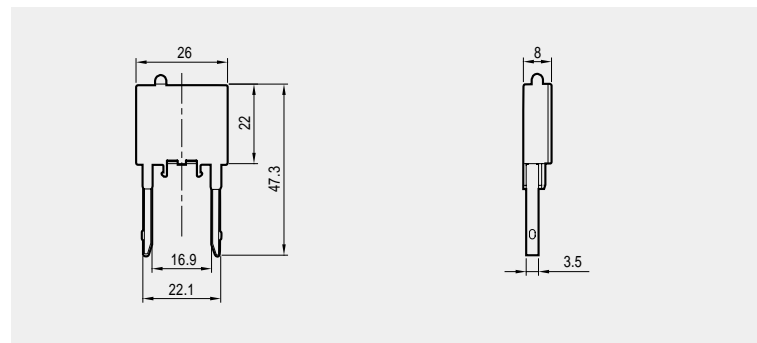
0.175kg

**AT-12M**



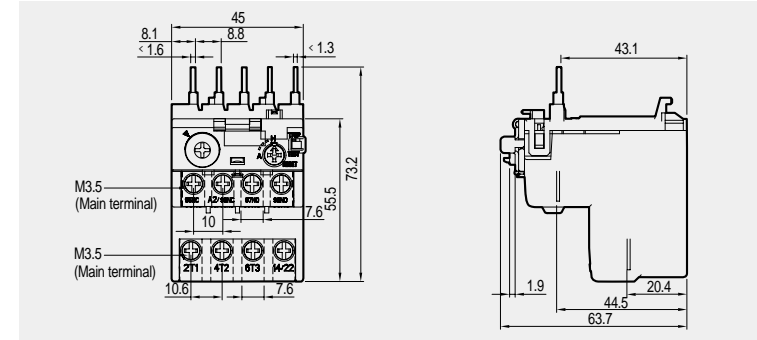
0.04kg

**AS-12M**



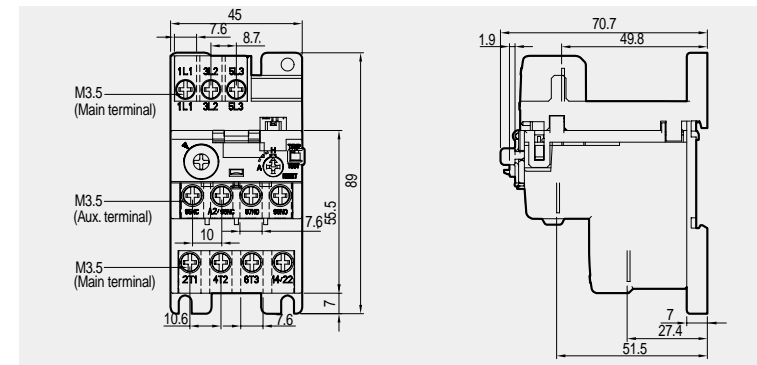
0.005kg

**CGT(H)-12M**



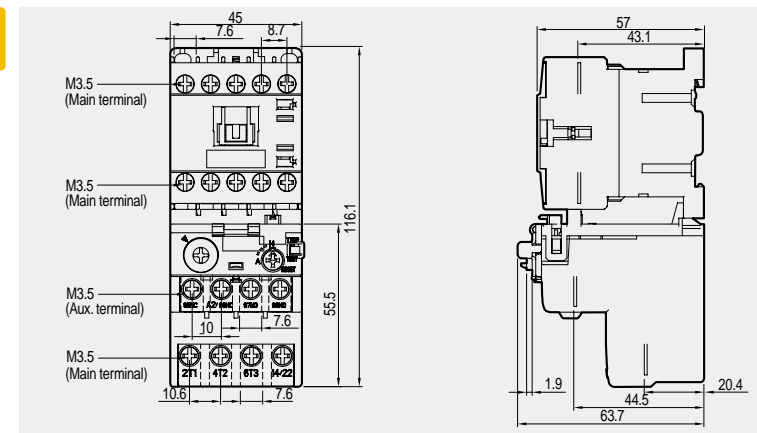
0.1kg

**CGT(H)-12MH**



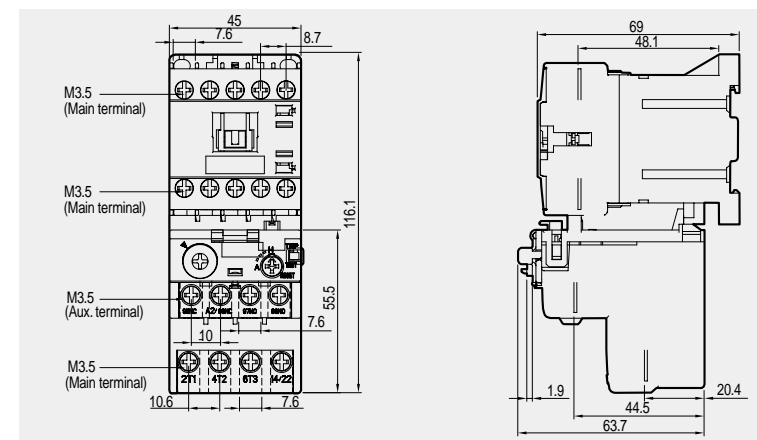
0.4kg

**CGMSS-6,9, 12,16A**



0.26kg

**CGMSS-6,9, 12,16D**



0.39kg

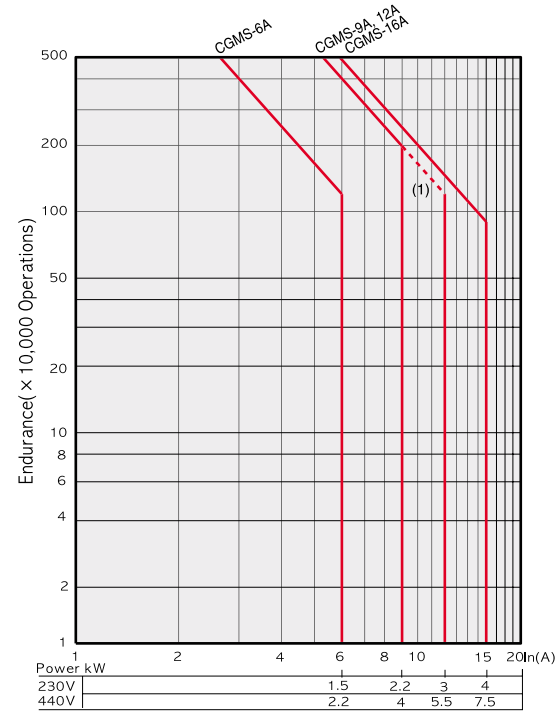
# Mini contactors

## Characteristic



### Electrical lifespan of contactors

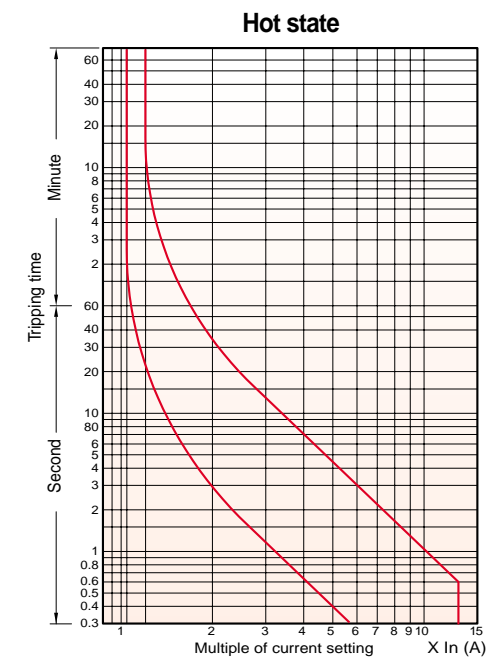
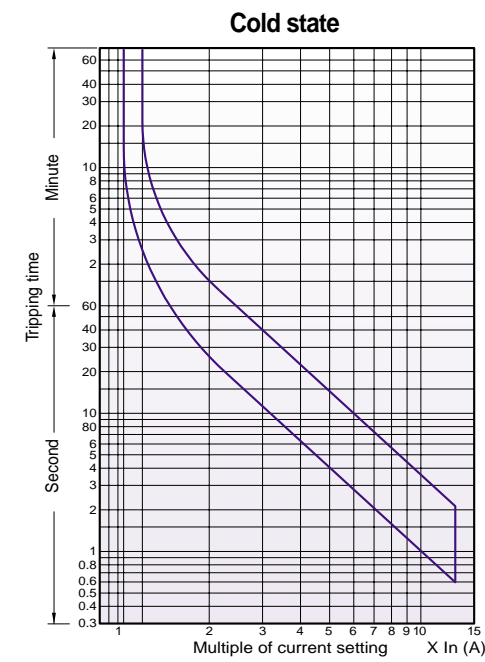
Use in category AC-3  
( $U_e \geq 440V$ )



(1) The dotted lines are only applicable to CGMS-12A contactors.

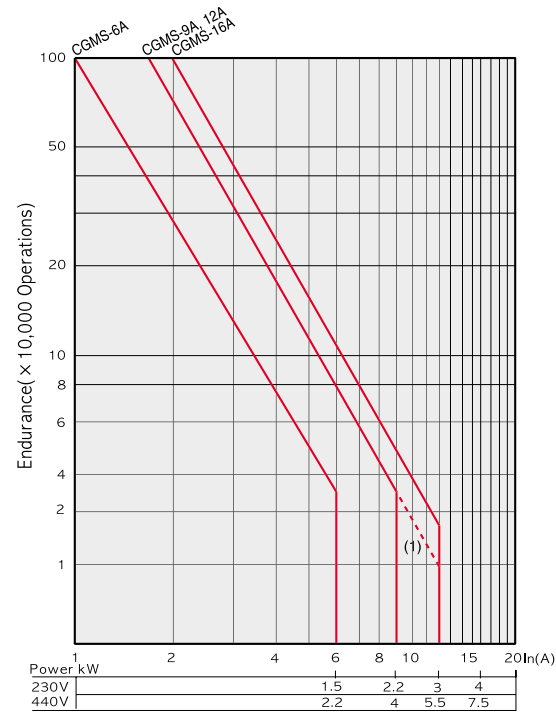
### Overload relay curves

Non-Differential type  
CGTH-12M



### Use in category AC-4

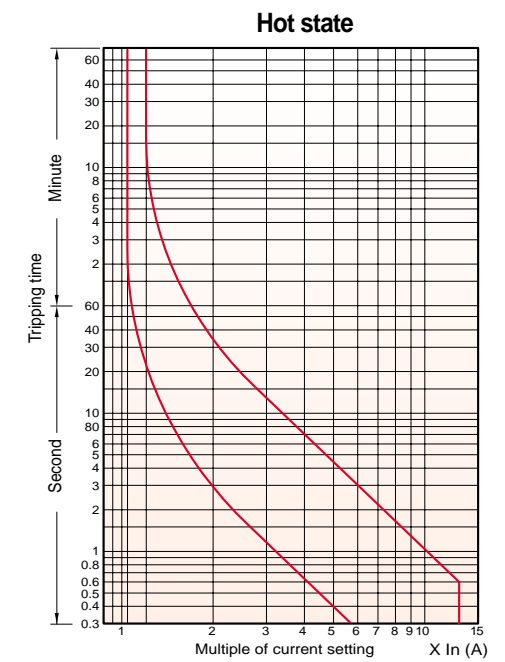
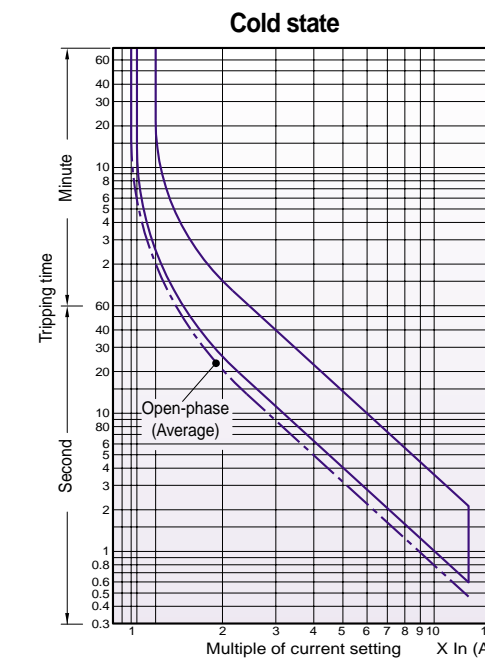
( $U_e \geq 440V$ )



(1) The dotted lines are only applicable to CGMS-12A contactors.

### Differential type

CGT-12M



## X-ON Electronics

Largest Supplier of Electrical and Electronic Components

*Click to view similar products for Carlo Gavazzi manufacturer:*

Other Similar products are found below :

[MC485232](#) [FPD01SBS200](#) [FPD06SCC200](#) [FPT01SBS200](#) [MP3100](#) [PD30CNG02NPM5RT](#) [PD30CNG02PPM5MU](#) [PD30CNP06NPDU](#)  
[PD30CNP06NPM5DU](#) [PD30CNP06NPMU](#) [PD30CNP06PPDU](#) [PD30CNP06PPM5RT](#) [PD30CNP06PPRT](#) [PD30CNT15PPRT](#)  
[PH18CNP50NASA](#) [PH18CNT20PASA](#) [PIB02CB23150MV](#) [G21960005700](#) [G34296470800](#) [G34304443115](#) [G34960003700](#) [G38000016230](#)  
[G89111010](#) [GAD1213024](#) [GH34850000724](#) [GMS-63S-50A](#) [GP67630107](#) [PPB01CM23N](#) [PS21M-US11PR-M0L](#) [PS21R-NT11N7-YK0](#)  
[GT150S105A](#) [GT32S0.16A](#) [GT32S6A](#) [GT400S400A](#) [GT95L95A](#) [PUB03CW24](#) [A208024060](#) [RA2350H06POS](#) [RAP48A3](#) [AD2000](#)  
[RCP1100324DC](#) [RCP800224VDC](#) [REC2R48D30GKE](#) [REC3B48A30GKE](#) [DCB51CM24](#) [RGC1A60D62KGU](#) [RGC1FS60D30GGE](#)  
[RGC3A60D25KKE](#) [RJ1A23D45E](#) [RJ1P23MBT50ECV](#)