

# Safety magnetic sensors

## Magnetic units

### CLS series

CARLO GAVAZZI



- Multiple flux coded magnets
- Rectangular shape (CLS)
- Cylindrical shape plastic (CLSA2, CLSA3)
- Cylindrical shape metal (CLSA2M)

### Product Description

The coded magnet series with SMS Safety magnetic includes multiple flux sensors. Also metallic case is available (CLSA2M).  
rectangular and cylindrical magnets to be used together

### Ordering Key

**CLS A2 M**

Safety Magnetic unit \_\_\_\_\_  
Housing \_\_\_\_\_  
Case Material \_\_\_\_\_

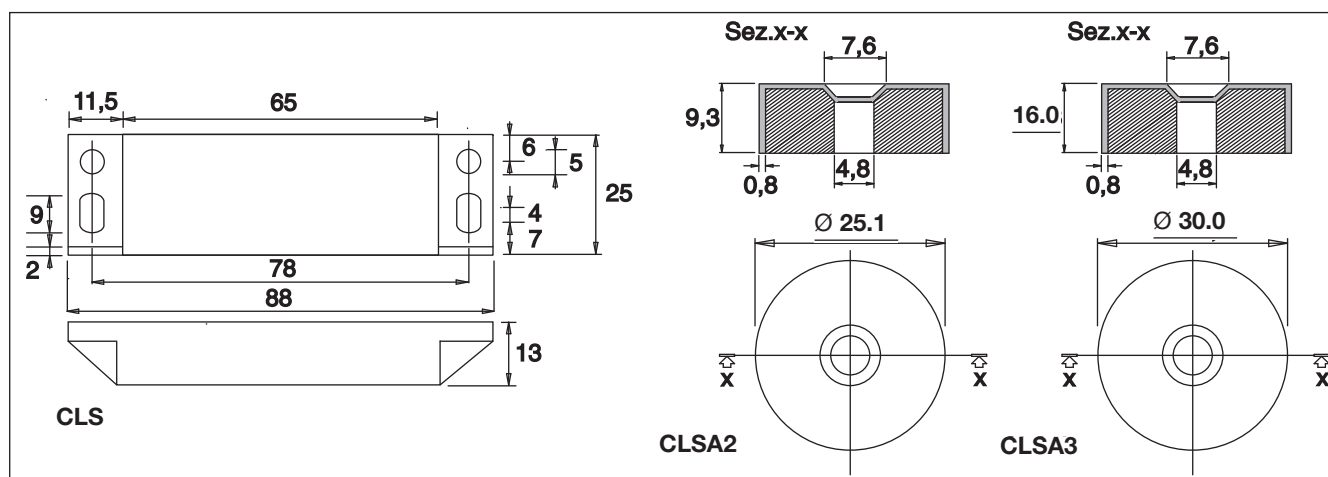
### Type Selection

Body shape	Dimensions	Case material	Item code	Item Code (UL)
Rectangular	88 x 25 x 13 mm	Plastic	<b>CLS</b>	<b>CLS D88 P M0</b>
Cylindrical	Ø 25.1 x 9.3 mm	Plastic	<b>CLS A2</b>	<b>CLS A25 P C0</b>
Cylindrical	Ø 25.1 x 9.3 mm	Stainless steel	<b>CLS A2 M</b>	<b>CLS A25 M N0</b>
Cylindrical	Ø 30.0 x 16.0 mm	Plastic	<b>CLS A3</b>	<b>CLS A30 P E0</b>

### General Specifications

Housing	Dimensions	Weight	Environment
Material	CLS, CLSAXXPXX, CLSA25M	CLS: Approx. 35 g CLSA2: Approx. 13 g CLSA2M: Approx. 25 g CLSA3: Approx. 18 g	Degree of protection: IP 67 Operating temperature: -25 to +70 °C Storage temperature: -25 to +70 °C
	CLS: 88x25x13 mm CLSA2: Ø 25.1 x 9.3 mm CLSA3: Ø 30.0 x 16.0 mm		
	Plastic Stainless steel		

### Dimensions



Safety Magnetic Sensors

## X-ON Electronics

Largest Supplier of Electrical and Electronic Components

*Click to view similar products for [Industrial Hall Effect/Magnetic Sensors](#) category:*

*Click to view products by [Carlo Gavazzi](#) manufacturer:*

Other Similar products are found below :

[GT-13013](#) [GT-13040](#) [GT-14114](#) [GT-14123](#) [SR4P2-C7](#) [GT-12076](#) [GT-13012](#) [GT-14049](#) [GT-14067](#) [GT-14132](#) [GT-18030](#) [103FW12-R3](#)  
[SMSA2P30CG](#) [103FW41-R1](#) [SR-10018](#) [PST360G2-1S-C0000-ERA360-05K](#) [103SR14A-1](#) [101MG7-BP](#) [A1389LUA-9-T](#) [MXM1120KIT](#)  
[MXM1120SOKIT](#) [A1220LLHLT-T](#) [AA006-02E](#) [ACX04-F99-I-V15](#) [PW520000](#) [ADH025-00E](#) [RZT7-03ZRS-KP0](#) [PSC360G2-F1A-C0000-](#)  
[ERA360-RE-K](#) [PSC360G2-F2AA-C0002-ERA360-05K](#) [PST360G2-2AA-C0002-ERA360-05K](#) [SM451RT](#) [AA005-02E](#) [ACW400-0360-002](#)  
[M9105/K06](#) [PS2P-CON-CE-M001-1A0-C0007-ERA180-05](#) [PS2P-CON-CE-M001-1A0-C0007-ERA360](#) [PSC360G2-F1A-C0000-ERA360-](#)  
[05K](#) [PSC360G2-F1A-C0000-ERA360-RE](#) [PSC360G2-F1A-C0007-ERA180-05K](#) [PSC360G2-F1A-C0011-ERA090-05K](#) [PSC360G2-F-1P-](#)  
[C0000-ERA360-05K-F200](#) [PST360G2-1A-C0000-ERA360-05K](#) [PST360G2-1A-C0000-ERA360-RE](#) [PST360G2-1A-C0007-ERA180-05K](#)  
[PST360G2-1A-C0011-ERA090-05K](#) [PST360G2-B1A-C0000-ERA360-05K](#) [P2S-001](#) [ACW400-0090-007](#) [ACW400-0090-008](#) [ACW400-](#)  
[0360-018](#)