

# Safety magnetic sensors

## Magnetic units

### CLS series

CARLO GAVAZZI



- Multiple flux coded magnets
- Rectangular shape (CLS)
- Cylindrical shape plastic (CLSA2, CLSA3)
- Cylindrical shape metal (CLSA2M)

### Product Description

The coded magnet series with SMS Safety magnetic includes multiple flux sensors. Also metallic case is available (CLSA2M).  
rectangular and cylindrical magnets to be used together

### Ordering Key

**CLS A2 M**

Safety Magnetic unit \_\_\_\_\_  
Housing \_\_\_\_\_  
Case Material \_\_\_\_\_

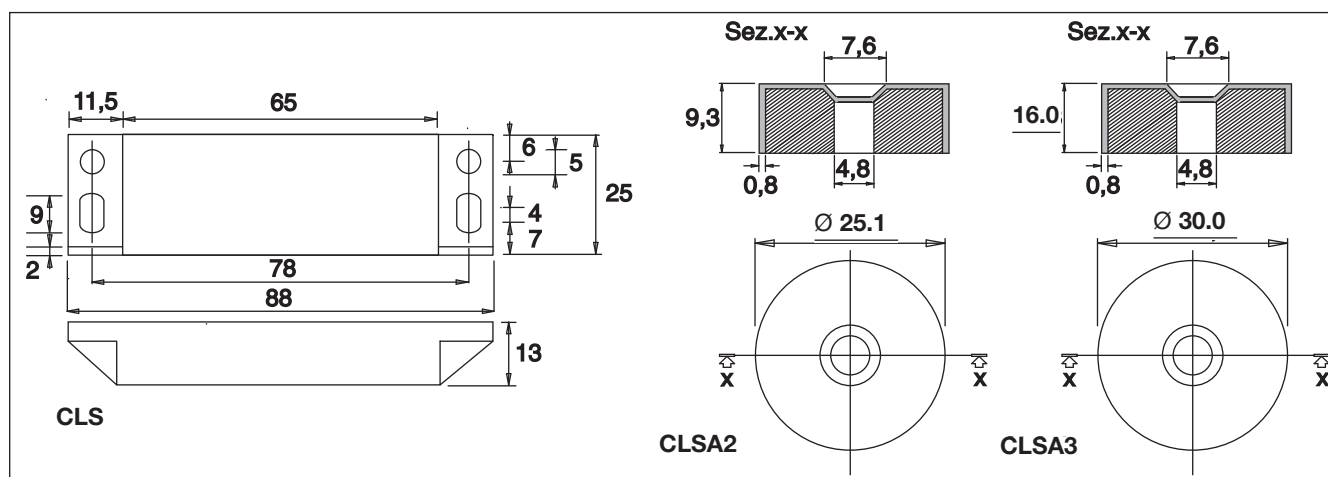
### Type Selection

Body shape	Dimensions	Case material	Item code	Item Code (UL)
Rectangular	88 x 25 x 13 mm	Plastic	CLS	CLS D88 P M0
Cylindrical	Ø 25.1 x 9.3 mm	Plastic	CLSA2	CLS A25 P C0
Cylindrical	Ø 25.1 x 9.3 mm	Stainless steel	CLSA2M	CLS A25 M N0
Cylindrical	Ø 30.0 x 16.0 mm	Plastic	CLSA3	CLS A30 P E0

### General Specifications

Housing		Weight	
Dimensions	CLS 88x25x13 mm CLSA2 Ø 25.1 x 9.3 mm CLSA3 Ø 30.0 x 16.0 mm	CLS Approx. 35 g CLSA2 Approx. 13 g CLSA2M Approx. 25 g CLSA3 Approx. 18 g	
Material	CLS, CLSAXPXX, CLSA25M Plastic Stainless steel	Environment	IP 67 Operating temperature -25 to +70 °C Storage temperature -25 to +70 °C

### Dimensions



Safety Magnetic Sensors

## X-ON Electronics

Largest Supplier of Electrical and Electronic Components

*Click to view similar products for [Industrial Hall Effect/Magnetic Sensors](#) category:*

*Click to view products by [Carlo Gavazzi](#) manufacturer:*

Other Similar products are found below :

[GT-13013](#) [GT-13040](#) [GT-14114](#) [DRR-129\(62-68\)](#) [ATS682LSHTN-T](#) [SR4P2-C7](#) [GT-12076](#) [GT-13012](#) [GT-14049](#) [GT-14067](#) [GT-14132](#)  
[GT-18030](#) [103FW12-R3](#) [A1155LLHLT-T](#) [SMSA2P30CG](#) [P2D-000](#) [GN 55.2-SC-15-3](#) [GN 55.2-SC-5-3](#) [MZA70175](#) [103FW41-R1](#) [KJR-](#)  
[D100AN-DNA-VE](#) [KJR-D100AN-DNIA-V2](#) [SR-10018](#) [115L 14E 502 W06017](#) [ATS128LSETN-T](#) [TLE4906LHALA1](#) [TLE49452LHALA1](#)  
[BU52013HFV-TR](#) [MRMS591A](#) [103SR14A-1](#) [MZT7-03VPS-KR0](#) [MZT7-03VPS-KW0](#) [MZT8-03VPS-KW0](#) [MZT8-28VPS-KP0](#)  
[A1326LLHLT-T](#) [A1156LLHLT-T](#) [ACS770LCB-100U-PFF-T](#) [ATS617LSGTN-T](#) [AH49ENTR-G1](#) [SS360PT](#) [SS311PT](#) [GN 55.2-ND-15-3](#)  
[GN 55.2-ND-18-3](#) [GN 55.2-ND-8-3](#) [GN 55.2-SC-10-3](#) [GN 55.4-ND-10-7,5-2](#) [GN 55.4-ND-12-9,5-2,5](#) [GN 55.4-ND-26-20,3-5](#) [GN 55.4-ND-](#)  
[7,5-4-1,5](#) [101MG7-BP](#)