

# General Accessories

## Connector Cables

### Type CONB1...

CARLO GAVAZZI



- Straight or 90° connector
- M12 version
- 3, 4 or 5 wire
- LEDs in transparent housing
- IP 67
- UL approved

### Product Description

M12 connection cables for 3 wires, 4 wires or 5 wires. Come in straight or angled versions. Some versions are also with LED.

UL approved high quality connection cable either in PVC jacket or in the more durable PUR jacket. Standard lengths of 2m, 5m, 10m or 15m.

### Ordering Key

**CONB14NF-APT2P**

CONB  
 1 = M12 DC  
 3 = 3 wire (BN, BU, BK)  
 4 = 4 wire (BN, BU, BK, WH)  
 5 = 5 wire (BN, BU, BK, WH, GY)  
 N= Not shielded  
 F= Female  
 A = Angled  
 S = Straight  
 P= PNP  
 N= NPN  
 T= Transparent housing  
 2 = 2 m  
 5 = 5 m  
 10 = 10 m  
 15 = 15 m  
 Blank = PVC cable  
 P = PUR

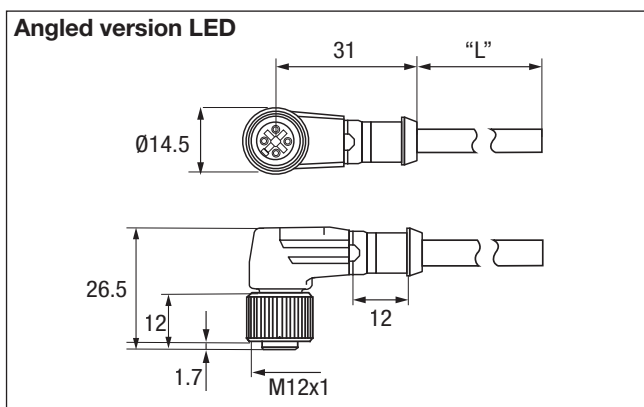
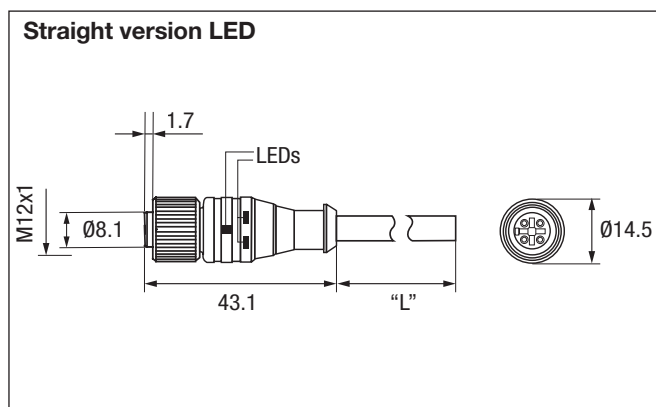
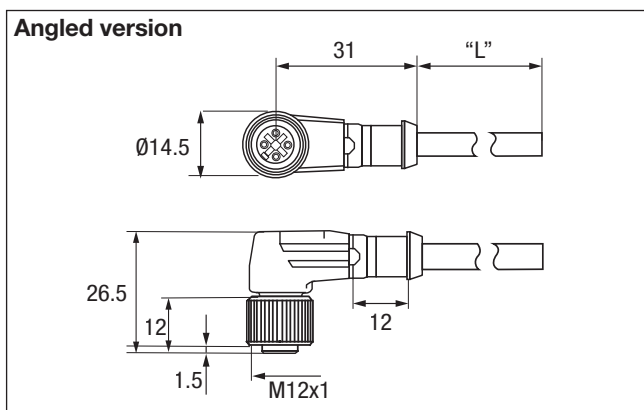
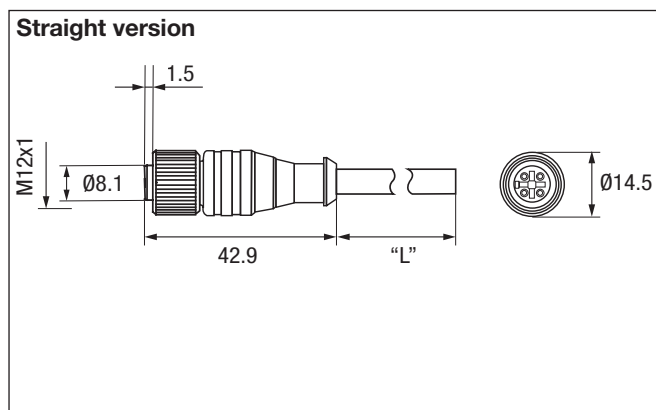
### Type Selection

Plug type	Cable length	Ordering number PVC	Ordering number PVC LED NPN	Ordering number PVC LED PNP	Ordering number PUR
3-Wire Angled	2 m	CONB13NF-A2	CONB13NF-ANT2	CONB13NF-APT2	CONB13NF-A2P
	5 m	CONB13NF-A5	CONB13NF-ANT5	CONB13NF-APT5	CONB13NF-A5P
	10 m	CONB13NF-A10	-	-	CONB13NF-A10P
	15 m	CONB13NF-A15	-	-	CONB13NF-A15P
3-Wire Straight	2 m	CONB13NF-S2	-	-	CONB13NF-S2P
	5 m	CONB13NF-S5	-	-	CONB13NF-S5P
	10 m	CONB13NF-S10	-	-	CONB13NF-S10P
	15 m	CONB13NF-S15	-	-	CONB13NF-S15P
4-Wire Angled	2 m	CONB14NF-A2	CONB14NF-ANT2	CONB14NF-APT2	CONB14NF-A2P
	5 m	CONB14NF-A5	CONB14NF-ANT5	CONB14NF-APT5	CONB14NF-A5P
	10 m	CONB14NF-A10	-	-	CONB14NF-A10P
	15 m	CONB14NF-A15	-	-	CONB14NF-A15P
4-Wire Straight	2 m	CONB14NF-S2	CONB14NF-SNT2	CONB14NF-SPT2	CONB14NF-S2P
	5 m	CONB14NF-S5	CONB14NF-SNT5	CONB14NF-SPT5	CONB14NF-S5P
	10 m	CONB14NF-S10	-	-	CONB14NF-S10P
	15 m	CONB14NF-S15	-	-	CONB14NF-S15P
5-Wire Angled	2 m	CONB15NF-A2	-	-	CONB15NF-A2P
	5 m	CONB15NF-A5	-	-	CONB15NF-A5P
	10 m	CONB15NF-A10	-	-	CONB15NF-A10P
	15 m	CONB15NF-A15	-	-	CONB15NF-A15P
5-Wire Straight	2 m	CONB15NF-S2	-	-	CONB15NF-S2P
	5 m	CONB15NF-S5	-	-	CONB15NF-S5P
	10 m	CONB15NF-S10	-	-	CONB15NF-S10P
	15 m	CONB15NF-S15	-	-	CONB15NF-S15P

## Specifications

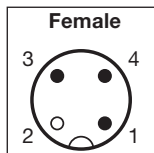
<b>Rated operating voltage (U<sub>B</sub>)</b> 3 or 4 wire version 5 wire version LED versions	240V AC/DC 60V AC/DC 30V AC/DC	<b>PVC</b> 3 wires 4 wires 5 wires	0,34mm <sup>2</sup> 0,25mm <sup>2</sup> 0,34mm <sup>2</sup>
<b>Rated current</b>	≤ 4 A	<b>Contact material</b>	CuSn
<b>Contact resistance</b>	≤ 5mΩ	<b>Contact plating</b>	Cu/Au
<b>Rated impulse voltage</b> 3 or 4 wire 5 wire	2.0KV 1.5KV	<b>Contact bearer material</b>	TPU orange
<b>Insulation resistance</b>	> 10 <sup>9</sup> Ω	<b>Moulded body material</b>	TPU translucent
<b>Cable outer diameter</b> PUR 3 wires 4 wires 5 wires PVC 3 wires 4 wires 5 wires	4.3 mm 4.7 mm 5.4 mm 5 mm 5 mm 5.7 mm	<b>O-ring sealing</b>	FKM
<b>Wire cross section</b> PUR 3 wires 4 wires 5 wires	0,34mm <sup>2</sup> 0,34mm <sup>2</sup> 0,50mm <sup>2</sup>	<b>Knurled nut</b>	CuZn, nickel plated
		<b>Degree of protection</b>	IP 67
		<b>Pollution degree</b>	3
		<b>Pin IEC standard</b>	IEC61076-2-101
		<b>Temperature</b>	-40° to 90°C
		<b>Weight*</b> 2 m version 5 m version 10 m version 15 m version	approx 100 g approx 200 g approx 300 g approx 500 g *varies depending on model
		<b>LED colour</b> Power Output	Green Yellow

## Dimensions

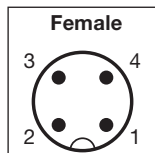


## Contact layout

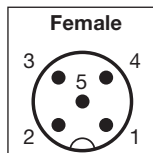
(3-wire)



(4-wire)



(5-wire)

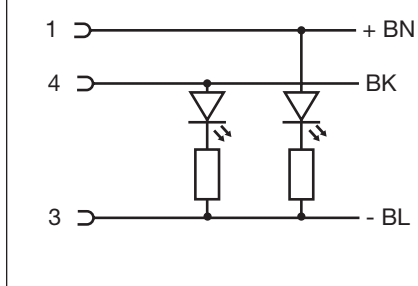


Colour Code

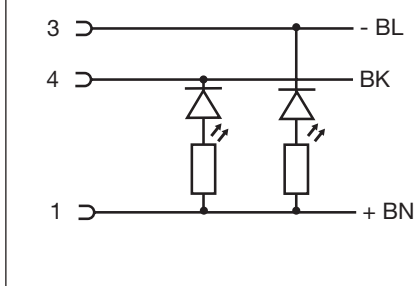
- 1 Brown (BN)
- 2 White (WH)
- 3 Blue (BL)
- 4 Black (BK)
- 5 Grey

### LED Connections

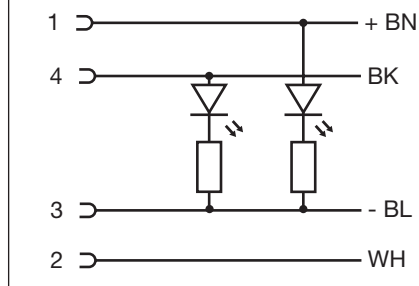
3-wire PNP angled version



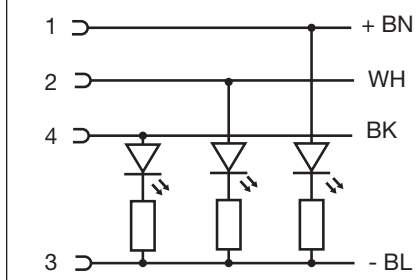
3-wire NPN angled version



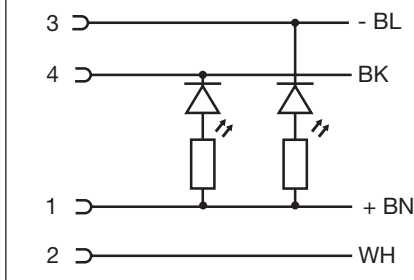
4-wire PNP straight version



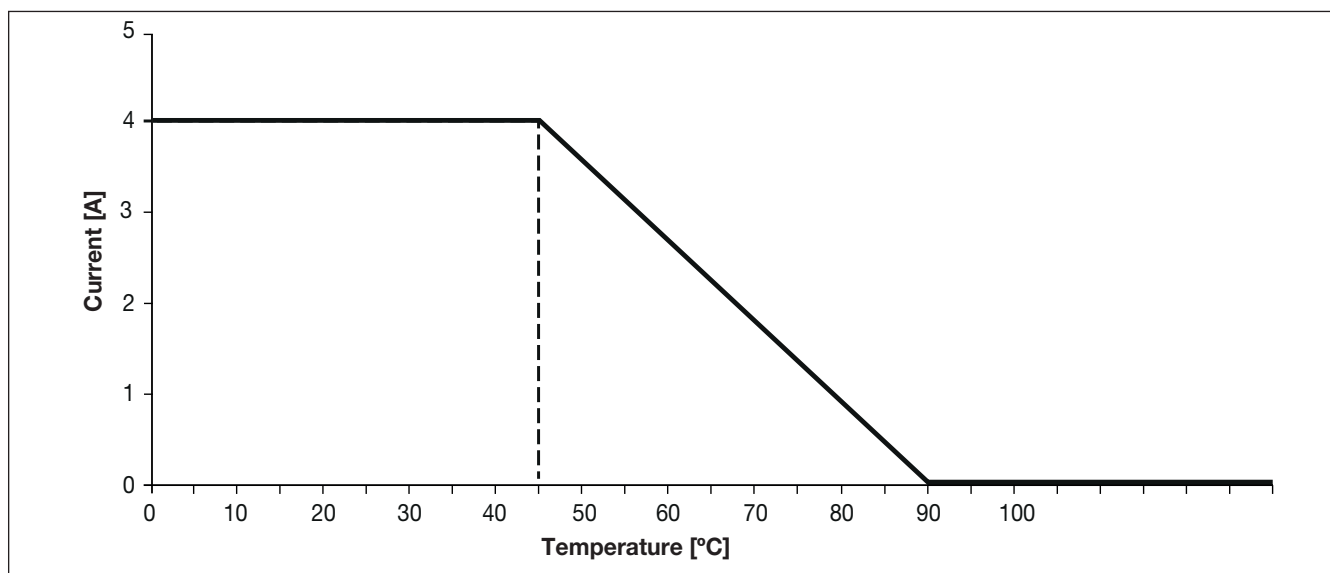
4-wire PNP angled version



4-wire NPN straight version



## Derating curve (DIN EN 60512-5-2)



## X-ON Electronics

Largest Supplier of Electrical and Electronic Components

*Click to view similar products for [Sensor Cables / Actuator Cables](#) category:*

*Click to view products by [Carlo Gavazzi](#) manufacturer:*

Other Similar products are found below :

[60963](#) [60964](#) [M83513/19-F01CP](#) [6R3006A29F060](#) [703000D02F2002](#) [703001D02F0602](#) [703001D02F300](#) [704000D02F120](#) [773032K02F030](#)  
[802027107404-1](#) [802027213811-1](#) [804001A09M150](#) [805001A09M0502](#) [84914-0235](#) [84914-0237](#) [885030A09M020](#) [8R4J30E03C3003](#)  
[1200651332](#) [1200651713](#) [1200660844](#) [1200660845](#) [1200661173](#) [1200680071](#) [1200720053](#) [1200720081](#) [1200720099](#) [1200720217](#)  
[1200800231](#) [1200860125](#) [1200870123](#) [1200980102](#) [1200650267](#) [1200650298](#) [1200660183](#) [1200660782](#) [1200660849](#) [1200661295](#)  
[1200661297](#) [1200661342](#) [1200661343](#) [1200670080](#) [1200670220](#) [1200680331](#) [1200720252](#) [1200730184](#) [1200860344](#) [1200870359](#)  
[1200870643](#) [1200980008](#) [1200980031](#)