

General Accessories

IP69K Connector Cables

Type CONB1...W

CARLO GAVAZZI



- IP69K version
- Straight or 90° connector
- M12 version
- 4-wire
- Good resistance against chemicals
- High temperature - up to 105°C (UL 90°C)
- UL and ECOLAB approved
- LED version also available

Product Description

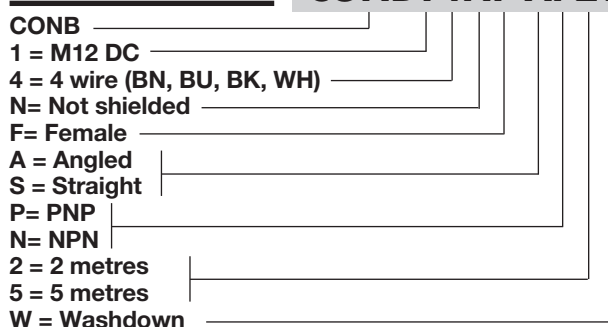
Highly robust IP69K connection cables for harsh environments. Especially suitable for use in washdown industries such as food & beverage, chemical and pharmaceutical industries thanks to the high standards of UL and ECOLAB. Featuring UL certified temperatures of up to 90°C, ECOLAB certification and IP69K protection class, the CONB IP69K connectors offer a guaranteed long term reliability even in the

harshes environments. Moreover, the connectors are resistant to aggressive chemicals and cleaning agents adhering to high Ecolab standards which make them very suitable to be used in Food & Beverage industry.

For maximum flexibility, the connectors are available in straight or angled versions as well as with or without LED in M12 connector, 4 wires.

Ordering Key

CONB14NF-AP2W



Type Selection

Plug type	Cable length	Ordering number TPE	Ordering number TPE LED PNP	Ordering number TPE LED NPN
4-Wire Angled	2 m	CONB14NF-A2W	CONB14NF-AP2W	CONB14NF-AN2W
	5 m	CONB14NF-A5W	CONB14NF-AP5W	CONB14NF-AN5W
4-Wire Straight	2 m	CONB14NF-S2W	CONB14NF-SP2W	CONB14NF-SN2W
	5 m	CONB14NF-S5W	CONB14NF-SP5W	CONB14NF-SN5W

Specifications

Rated operating voltage (U_B) LED versions	250 V ac/dc (30V UL) 30 VDC	Tightening torque	0.5 Nm
Output current	≤ 4 A	Connection cable	TPE orange
Contact resistance	≤ 5 mΩ	Wire cross section	4 x 0.25 mm ² (jacket Ø 4.7 mm)
Contact material Coating	Cu/Sn Cu/Au	Weight 2 m version 5 m version	approx 63 g approx 109 g
Contact bearer material	PP white	Pollution degree	3
Temperature	-40° to +105°C (90°C UL) -40° to +221°F (194°F UL)	Overvoltage category	III
Degree of protection	IP69K	Insulation group	I
O-ring sealing	EPDM	LED colour* Power Output**	Green LED 1 Yellow LED
Rated Impulse Voltage Insulation resistance	2.5 kV > 10 ⁹ Ohm		
Moulded body material	PP white		
Union Locking nut	V4A		

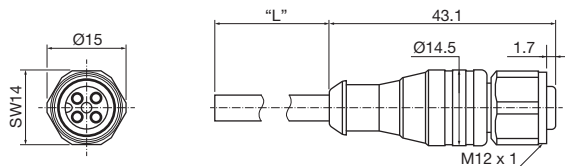
* Please refer to wiring diagram section

**CONB14NF-AP.W: 2 Yellow LEDs

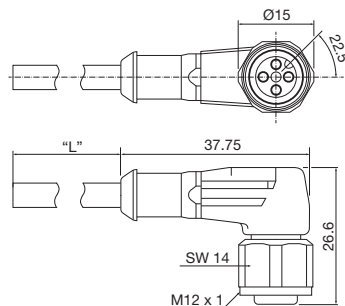


Dimensions

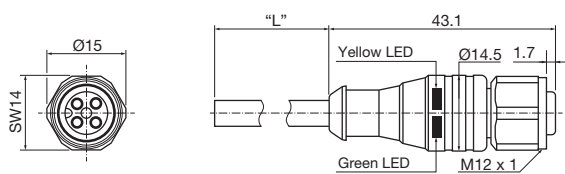
Straight Version



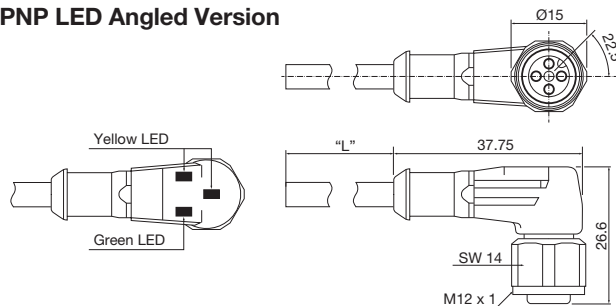
Angled Version



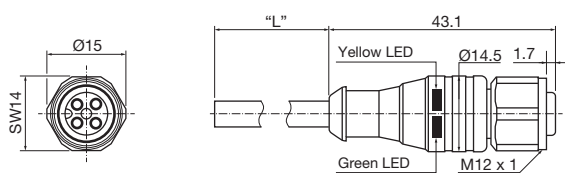
PNP LED Straight Version



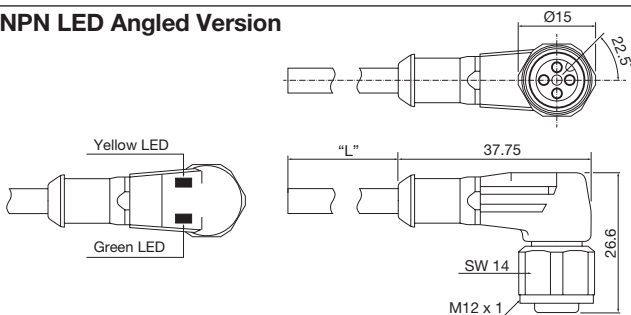
PNP LED Angled Version



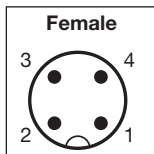
NPN LED Straight Version



NPN LED Angled Version



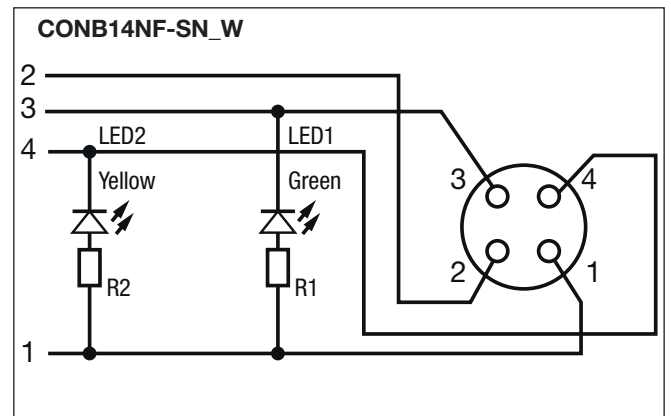
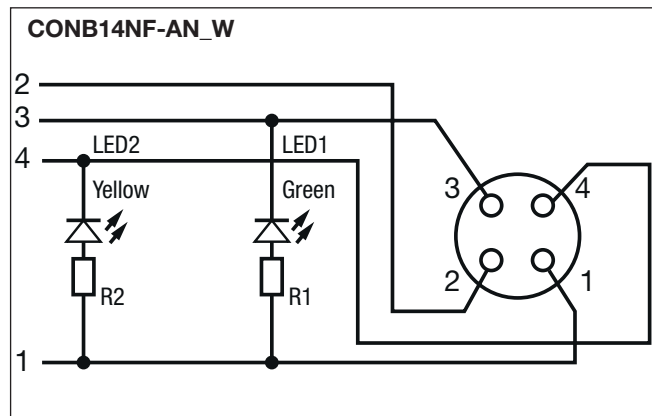
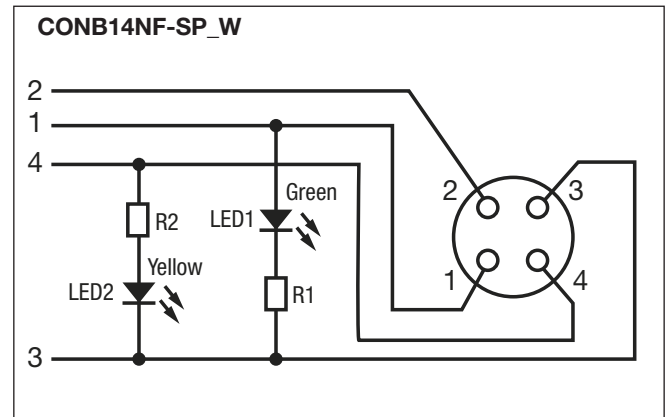
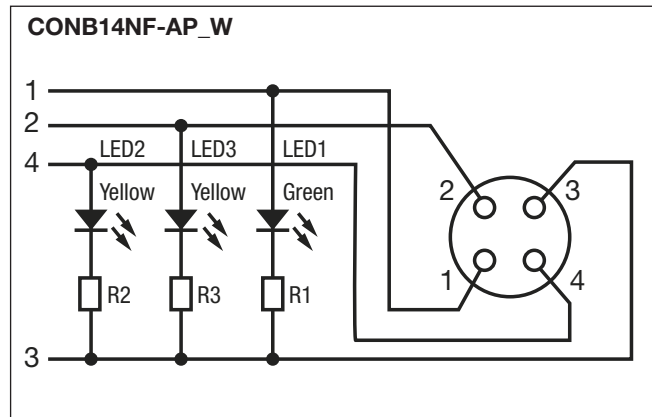
Contact layout



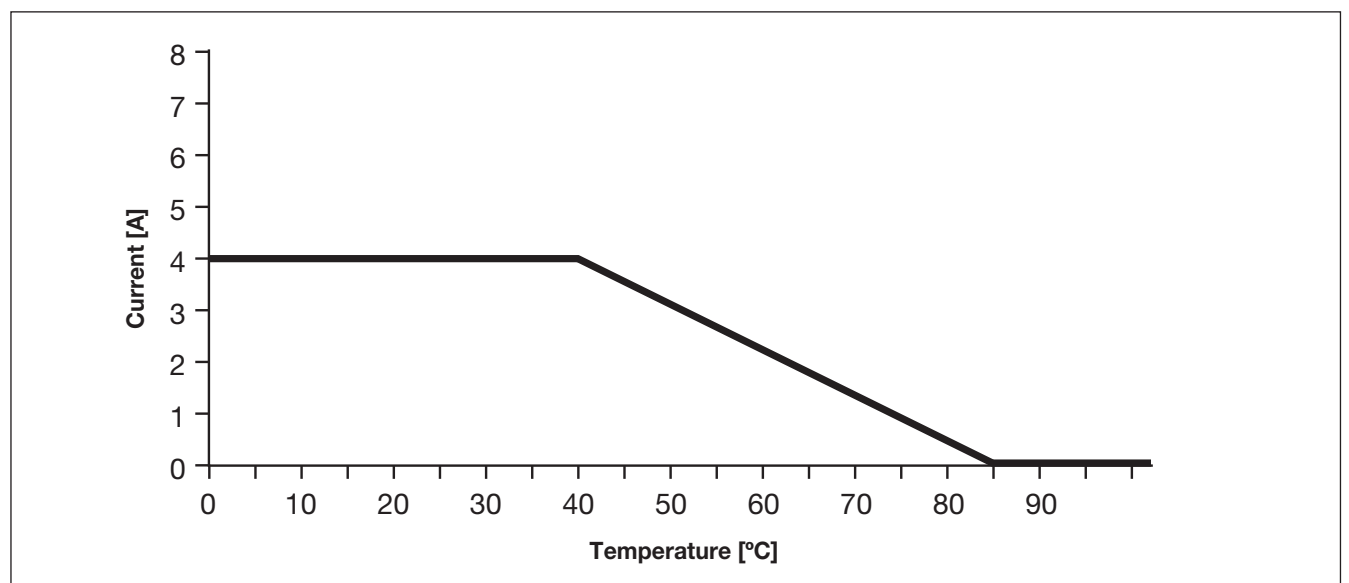
Colour Code

- 1 Brown
- 2 White
- 3 Blue
- 4 Black

Wiring Diagram



Derating Curve (DIN EN 60512-5-2)



X-ON Electronics

Largest Supplier of Electrical and Electronic Components

Click to view similar products for [Sensor Cables / Actuator Cables](#) category:

Click to view products by [Carlo Gavazzi](#) manufacturer:

Other Similar products are found below :

[60963](#) [60964](#) [6R3006A29F060](#) [703000D02F2002](#) [703001D02F0602](#) [703001D02F300](#) [704000D02F120](#) [773032K02F030](#) [802027107404-1](#)
[802027213811-1](#) [804001A09M150](#) [805001A09M0502](#) [84914-0235](#) [84914-0237](#) [885030A09M020](#) [8R4J30E03C3003](#) [1200651332](#)
[1200651713](#) [1200660844](#) [1200660845](#) [1200661173](#) [1200680071](#) [1200720053](#) [1200720081](#) [1200720099](#) [1200720217](#) [1200800231](#)
[1200860125](#) [1200870123](#) [1200980102](#) [1200650267](#) [1200650298](#) [1200660183](#) [1200660782](#) [1200660849](#) [1200661295](#) [1200661297](#)
[1200661342](#) [1200661343](#) [1200670080](#) [1200670220](#) [1200680331](#) [1200720252](#) [1200730184](#) [1200860344](#) [1200870359](#) [1200870643](#)
[1200980008](#) [1200980031](#) [1210502211](#)