

General Accessories

Connectors

Type CONB5...



- Straight or 90° connectors
- M8 version
- 3 or 4 wire
- LEDs in transparent housing
- IP 67
- UL approved

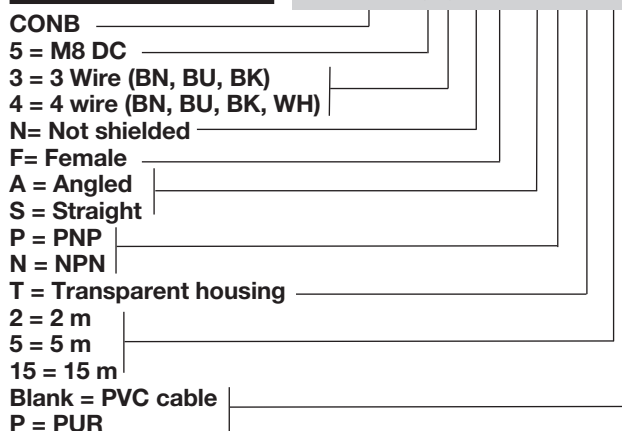
Product Description

M8 connection cables for 3 wires or 4 wires. Come in straight or angled versions. Some versions are also with LED.

UL approved high-quality connection cable either in PVC jacket or in the more durable PUR jacket.

Ordering Key

CONB53NF-APT2P



Type Selection

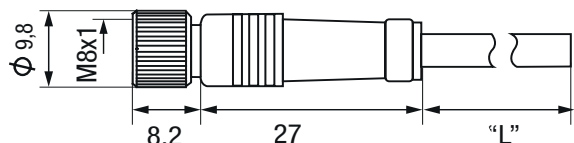
Plug type	Cable length	Ordering number	Ordering number	Ordering number	Ordering number
		PVC	PUR	PVC LED NPN	PVC LED PNP
3-Wire Angled	2 m	CONB53NF-A2	CONB53NF-A2P	CONB53NF-ANT2	CONB53NF-APT2
	5 m	CONB53NF-A5	CONB53NF-A5P	CONB53NF-ANT5	CONB53NF-APT5
	10 m	CONB53NF-A10	CONB53NF-A10P		
	15 m	CONB53NF-A15	CONB53NF-A15P		
3-Wire Straight	2 m	CONB53NF-S2	CONB53NF-S2P		
	5 m	CONB53NF-S5	CONB53NF-S5P		
	10 m	CONB53NF-S10	CONB53NF-S10P		
	15 m	CONB53NF-S15	CONB53NF-S15P		
4-Wire Angled	2 m	CONB54NF-A2	CONB54NF-A2P		
	5 m	CONB54NF-A5	CONB54NF-A5P		
	10 m	CONB54NF-A10	CONB54NF-A10P		
	15 m	CONB54NF-A15	CONB54NF-A15P		
4-Wire Straight	2 m	CONB54NF-S2	CONB54NF-S2P		
	5 m	CONB54NF-S5	CONB54NF-S5P		
	10 m	CONB54NF-S10	CONB54NF-S10P		
	15 m	CONB54NF-S15	CONB54NF-S15P		

Specifications

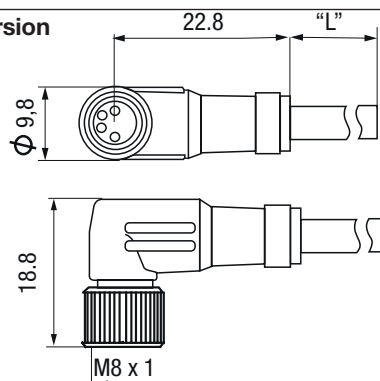
Rated operating voltage 3 & 4 wire LED versions	60VAC/DC 30 VDC	Moulded body material	TPU translucent
Rated current	≤4A	O-ring sealing	FKM
Contact resistance	≤5mΩ	Coupling screw	CuZn, nickel plated
Rated impulse voltage	1.5KV	Tightening torque	0.5 Nm
Insulation resistance	>10 ⁹ Ω	Degree of protection	IP67
Cable outer diameter PUR PVC	4.3mm 5.0mm	Pollution degree	3
Wire cross section	3 wires: 0,34mm ² 4 wires: 0,25mm ²	Pin IEC standard	IEC61076-2-104
Cable	PVC or PUR, black	Temperature	-40° to 90°C
Contact material	CuSn	Weight* 2m version 5m version 10m version 15m version	approx 100g approx 200g approx 300g approx 500g *varies depending on model
Contact plating	pre-nickelled and gold plated	LED colour Power Output	green yellow
Contact bearer material	PA/TPU orange		

Dimensions

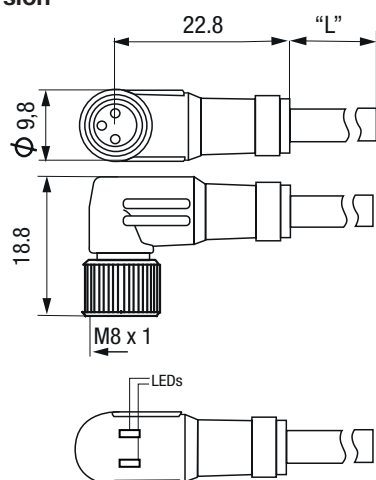
Straight version



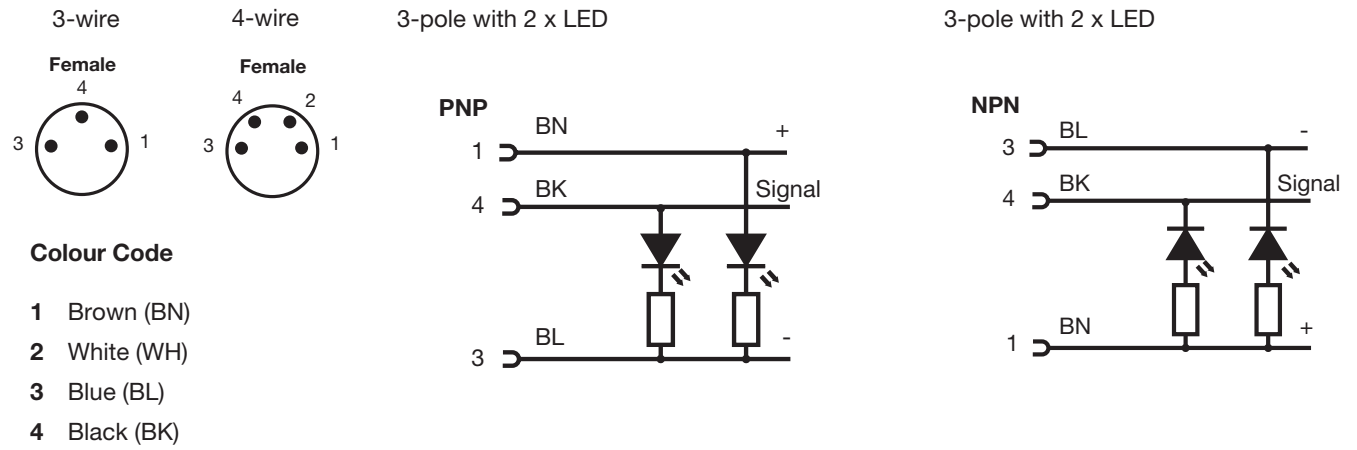
Angled version



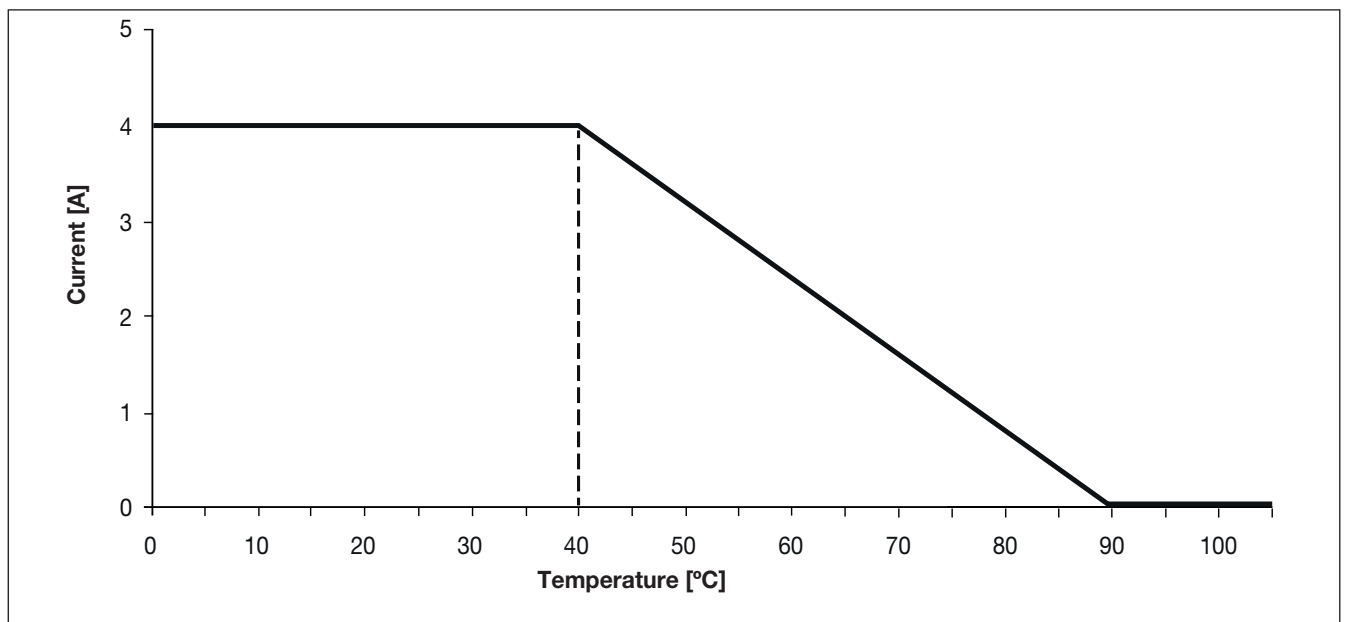
LED version



Contact layout



Derating curve (DIN EN 60512-5-2)



X-ON Electronics

Largest Supplier of Electrical and Electronic Components

Click to view similar products for [Sensor Cables / Actuator Cables](#) category:

Click to view products by [Carlo Gavazzi](#) manufacturer:

Other Similar products are found below :

[1300070444](#) [43-10984](#) [M83513/19-F01CP](#) [704000D02F120](#) [MDM15SH001K](#) [MDM25PH003BF222](#) [802027107404-1](#) [885030A09M010](#)
[885030A09M020](#) [1200650174](#) [1200651332](#) [1200651713](#) [1200660171](#) [1200660208](#) [1200660343](#) [1200660804](#) [1200660845](#) [1200660926](#)
[1200660977](#) [1200661173](#) [1200661354](#) [120066-1712](#) [1200720053](#) [1200720099](#) [1200720153](#) [1200720172](#) [1200720217](#) [1200720226](#)
[1200720251](#) [1200720285](#) [1200720296](#) [1200720404](#) [1200730148](#) [1200730378](#) [1200800231](#) [1200860112](#) [1200860121](#) [1200860125](#)
[1200860337](#) [1200860365](#) [1200860420](#) [1200870046](#) [1200870123](#) [1200870248](#) [1200980102](#) [1200660181](#) [1200660183](#) [1200660827](#)
[1200660849](#) [1200661170](#)