

# Timers

## Delay on Operate

### Type DAA01, PAA01

CARLO GAVAZZI



- Time range 0.1 s to 100 h
- Knob selection of time range
- Knob adjustable time setting
- Automatic start
- Repeatability:  $\leq 0.2\%$
- Output: 8 A SPDT or 2 x 8 A SPDT relays
- For mounting on DIN-rail in accordance with DIN/EN 50 022 or Plug-in
- 22.5 Euronorm or 36 mm plug-in module housing
- Combined AC and DC power supply
- LED indication for relay status and power supply ON

## Product Description

Multi-voltage delay on operate timer with 7 selectable time ranges within 0.1 s and 100 h. For mounting on DIN-rail (DAA01) or plug-in (PAA01).

## Ordering Key

**DAA 01 C M24**

Housing \_\_\_\_\_  
 Function \_\_\_\_\_  
 Type \_\_\_\_\_  
 Item number \_\_\_\_\_  
 Output \_\_\_\_\_  
 Power supply \_\_\_\_\_

## Type Selection

Mounting	Output	Housing	Supply: 24 VDC and 24 to 240 VAC	Supply: 24 to 240 VAC/DC
DIN-rail	1 x SPDT 2 x SPDT	D-Housing	<b>DAA01CM24</b>	<b>DAA01DM24</b>
Plug-in	1 x SPDT 2 x SPDT	P-Housing	<b>PAA01CM24</b>	<b>PAA01DM24</b>

## Time Specifications

<b>Time ranges</b> Knob selectable	0.1 to 1 s 1 to 10 s 6 to 60 s 60 to 600 s 0.1 to 1 h 1 to 10 h 10 to 100 h
<b>Setting accuracy</b>	$\leq 5\%$
<b>Repeatability</b>	$\leq 0.2\%$
<b>Time variation</b> Within rated power supply Within ambient temperature	$\leq 0.05\%/V$ $\leq 0.2\%/^{\circ}C$
<b>Reset</b> Power supply interruption	$\geq 200$ ms

## Output Specifications

<b>Output</b>	1 or 2 x SPDT relays
<b>Rated insulation voltage</b>	250 VAC (rms)
<b>Contact Ratings (AgSnO<sub>2</sub>)</b>	$\mu$
Resistive loads	AC 1 8 A @ 250 VAC DC 12 5 A @ 24 VDC
Small inductive loads	AC 15 2.5 A @ 250 VAC DC 13 2.5 A @ 24 VDC
<b>Mechanical life</b>	$\geq 30 \times 10^6$ operations
<b>Electrical life</b>	$\geq 10^5$ operations (at 8 A, 250 V, $\cos \varphi = 1$ )
<b>Operating frequency</b>	$< 7200$ operations/h
<b>Dielectric strength</b>	
Dielectric voltage	2 kVAC (rms)
Rated impulse withstand voltage	4 kV (1.2/50 $\mu$ s)

## Supply Specifications

<b>Power supply</b> Rated operational voltage through terminals:	Overvoltage cat. III (IEC 60664, IEC 60038)	<b>Voltage interruption</b>	$\leq 10$ ms
(DAA01C) (PAA01C)	A1, A2 or 2, 10 24 VDC $\pm 15\%$ and 24 to 240 VAC + 10% -15%, 45 to 65 Hz	<b>Rated operational power</b>	
(DAA01D) (PAA01D)	A1, A2 or 2, 10 24 to 240 VAC/DC + 10% - 15%, 45 to 65 Hz	AC supply	4 VA
		DC supply	1.5 W



## General Specifications

<b>Power ON delay</b>	≤ 100 ms	
<b>Reaction time</b> Instantaneous contact	< 20 ms from power ON	
<b>Indication for</b> Power supply ON Output relays ON	LED, green LED, yellow (flashing when timing)	
<b>Environment</b> Degree of protection Pollution degree	(EN 60529) IP 20 3 (DAA01), 2 (PAA01) (IEC 60664)	
Operating temperature Storage temperature	-20° to +60°C, R.H. < 95% -30° to +80°C, R.H. < 95%	
<b>Housing</b> Dimensions	DAA01 PAA01	22.5 x 80 x 99.5 mm 36 x 80 x 94 mm
<b>Weight</b>	Approx. 130 g	
<b>Screw terminals (DAA01)</b> Tightening torque	Max. 0.5 Nm according to IEC EN 60947	
<b>Approvals</b>	UL, CSA RINA (DAA01 only)	
<b>CE marking</b>	Yes	
<b>EMC</b> Immunity Emission	Electromagnetic Compatibility According to EN 61000-6-2 According to EN 61000-6-3	
<b>Timer Specifications</b>	According to EN 61812-1	

## Mode of Operation

The yellow LED, flashing when timing, is ON as soon as the relay turns ON.

The second relay can operate as instantaneous or delayed changeover contact. The selection is made by a DIP-switch placed under the plastic door on the device's front.

The set delay period begins as soon as the power supply

is connected. At the end of the set delay the relay operates and does not release until the power supply is interrupted for at least 200 ms. If the power supply is interrupted for at least 200 ms before the relay operates the time is set to zero and the circuit is ready for a new time period.

## Time Setting

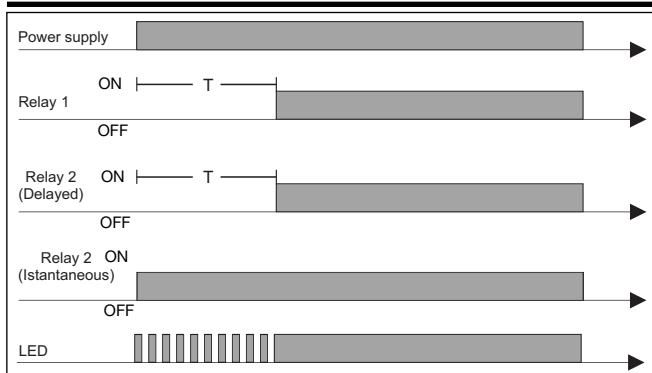
### Centre knob:

Time setting on relative scale: 1 to 10 with respect to the chosen range

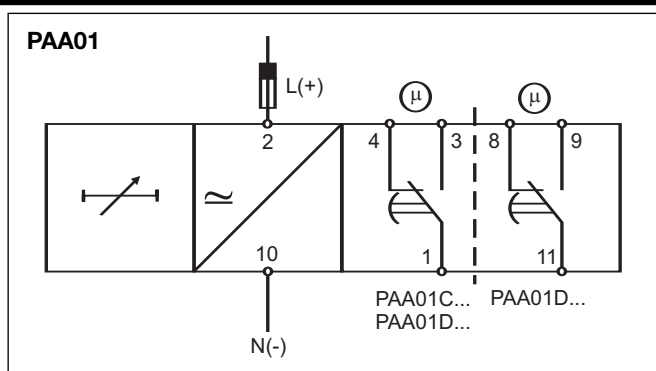
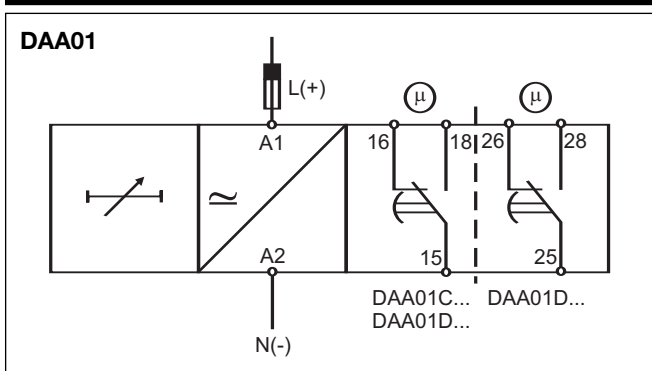
### Lower knob:

Setting of time range

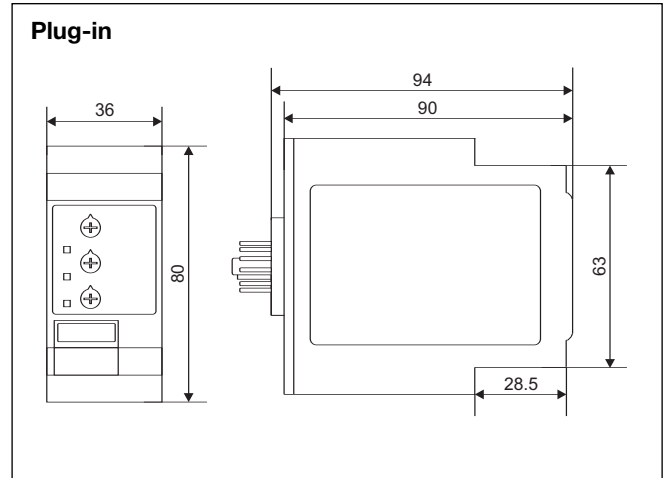
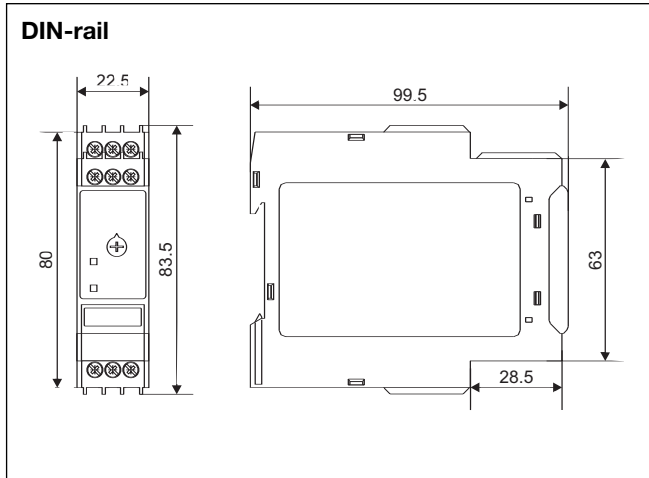
## Operating Diagram



## Wiring Diagrams



## Dimensions



## X-ON Electronics

Largest Supplier of Electrical and Electronic Components

*Click to view similar products for [Time Delay & Timing Relays](#) category:*

*Click to view products by [Carlo Gavazzi](#) manufacturer:*

Other Similar products are found below :

[5NO30](#) [614-11B-0A2](#) [614-11B-0A3](#) [614-11B-0A4](#) [614-11B-0A6](#) [614-11B-0A8](#) [614-11C-0A1](#) [614-11C-0A2](#) [614-11C-0A5](#) [614-11Q-0A3](#) [614-11Q-0A6](#) [614-11T-0A3](#) [614-11T-0A6](#) [614-11T-0A7](#) [614-12B-4A1](#) [614-12C-400](#) [614-12Q-400](#) [614-12T-600](#) [614-22T-4A1](#) [614-43B-400](#) [614-43C-100](#) [614-43F-200](#) [614-43Q-0A2](#) [614-43Q-100](#) [614-43Q-600](#) [614-43T-0A9](#) [614-43T-600](#) [614-43U-400](#) [614-43U-4A1](#) [614-43U-6A2](#) [615-21T-200](#) [655-11T-100](#) [655-11U-500](#) [655-12T-300](#) [655-22T-400](#) [655-22T-600](#) [CUA-41-30001](#) [CUA-41-30030](#) [CUA-41-70180](#) [CUA-41-71038](#) [CUA-42-30005](#) [CUA-42-30010](#) [CUA-42-30120](#) [CUA-42-70120](#) [CUA-99-72502](#) [CUC-41-30030](#) [CUF-42-30010](#) [CUH-41-31006](#) [7012AFX](#) [7012GD](#)