

Timers

Delay on Operate

Types DAA51, DAA71



DAA51



DAA71

- Time range 0.1 s to 100 h
- Knob selection of time range
- Knob adjustable time setting
- Automatic start
- Repeatability: $\leq 0.2\%$
- Output: 5 A SPDT or 5 A DPDT relays
- For mounting on DIN-rail in accordance with DIN/EN 50 022
- 17.5 mm (DAA51C) or 35.5 mm (DAA71D) DIN-rail housing (DIN 43880)
- Combined AC and DC power supply
- LED indication for relay status and power supply ON

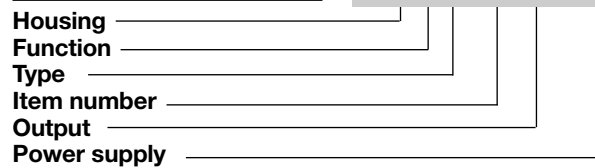
Product Description

Multi-voltage delay on operate timer with 7 selectable time ranges within 0.1 s and 100 h. For mounting on DIN-rail

Housing 17.5 mm wide for SPDT version and 35.5 mm for DPDT version, suitable both for back and front panel mounting.

Ordering Key

DAA 51 C M24



Type Selection

| Mounting | Output | Housing | Supply: 12 to 240 VAC/DC | Supply: 24 VDC and 24 to 240 VAC |
|----------|--------|---------|-----------------------------|-------------------------------------|
| DIN-rail | SPDT | Mini-D | | DAA 51 C M24 |
| DIN-rail | DPDT | Mini-D | DAA 71 D W24 | DAA 71 D M24 |

Time Specifications

| | | | |
|---------------------------------------|---------------------------|---|---------------|
| Time ranges Knob selectable | 0.1 to 1 s | Repeatability $\leq 0.2\%$ | |
| | 1 to 10 s | | |
| | 6 to 60 s | | |
| | 60 to 600 s | | |
| | 0.1 to 1 h | | |
| Setting accuracy | 1 to 10 h | Time variation Within rated power supply $\leq 0.05\%/V$ Within ambient temperature $\leq 0.2\%/^{\circ}C$ | |
| | 10 to 100 h | | |
| | $\leq 5\%$ | | |
| | Reset | | ≥ 200 ms |
| | Power supply interruption | | |

Supply Specifications

| | |
|--|--|
| Power supply | Overvoltage cat. II (IEC 60664, IEC 60038) |
| Rated operational voltage through terminals: | |
| (DAA51C) A1, A2 M24 | 24 VDC $\pm 15\%$ and 24 to 240 VAC +10% -15%, 45 to 65 Hz |
| (DAA71D) A1, A2 M24 | 24 to 240 VAC +10% -15%, 45 to 65 Hz |
| W24 | 12 to 240 VDC +10% -15% and 12 to 240 VAC +10% -15%, 45 to 65 Hz |
| Voltage interruption | ≤ 10 ms |
| Rated operational power | |
| (DAA51C) AC supply | 4 VA |
| DC supply | 1.5 W |
| (DAA71D) AC supply | 5.5 VA |
| DC supply | 2 W |

Output Specifications

| | |
|--|---|
| Output | SPDT or DPDT relays |
| Rated insulation voltage | 250 VAC (rms) |
| Contact Ratings (AgSnO₂) | μ |
| DAA51 (SPDT): | |
| Resistive loads | AC 1 5 A @ 250 VAC |
| | DC 12 5 A @ 24 VDC |
| Small inductive loads | AC 15 2.5 A @ 250 VAC |
| | DC 13 2.5 A @ 24 VDC |
| DAA71 (DPDT) | |
| Resistive loads | AC 1 5 A @ 250 VAC |
| Small inductive loads | AC 15 3 A @ 250 VAC |
| | DC 13 3 A @ 24 VDC |
| Mechanical life | $\geq 30 \times 10^6$ operations |
| Electrical life | $\geq 10^5$ operations (at 5 A, 250 V, $\cos \varphi = 1$) |
| Operating frequency | < 7200 operations/h |
| Dielectric strength | |
| Dielectric voltage | 2 kVAC (rms) |
| Rated impulse withstand voltage | 2.5 kV (1.2/50 μ s) |



General Specifications

| | | |
|------------------------|---------------------------------------|---------------------|
| Power ON delay | ≤ 100 ms | |
| Indication for | LED, green | |
| Power supply ON | LED, yellow | |
| Output relays ON | (flashing when timing) | |
| Environment | (EN 60529) | |
| Degree of protection | IP 20 | |
| Pollution degree | 2 (IEC 60664) | |
| Operating temperature | -20° to +60°C, R.H. < 95% | |
| Storage temperature | -30° to +80°C, R.H. < 95% | |
| Housing | | |
| Dimensions | (DAA51C) | 17.5 x 81 x 67.2 mm |
| | (DAA71D) | 35.5 x 81 x 67.2 mm |
| Material | PA66 | |
| Weight | 75 g | |
| Screw terminals | | |
| Tightening torque | Max. 0.5 Nm according to IEC EN 60947 | |
| Approvals | UL, CSA RINA (DAA51 only) | |
| CE Marking | Yes | |
| EMC | Electromagnetic Compatibility | |
| Immunity | According to EN 61000-6-2 | |
| Emission | According to EN 61000-6-3 | |

Mode of Operation

The yellow LED, flashing when timing, is ON as soon as the relay turns ON.

The set delay period begins as soon as the power supply is connected. At the end of the set delay the relay operates and does not release until the power supply is interrupted for at least 200

ms. If the power supply is interrupted for at least 200 ms before the relay operates the time is set to zero and the circuit is ready for a new time period.

Time Setting

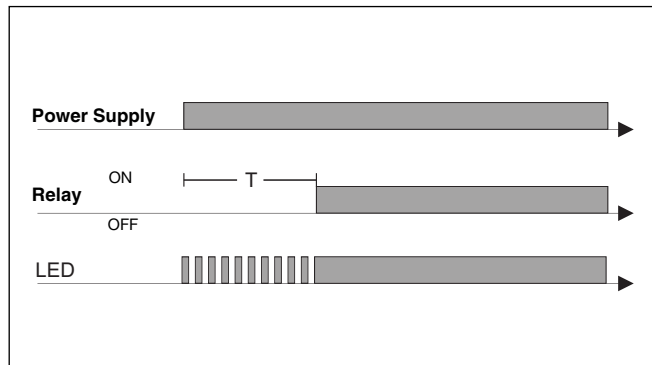
Centre knob:

Time setting on relative scale: From 1 to 10 with respect to the chosen range.

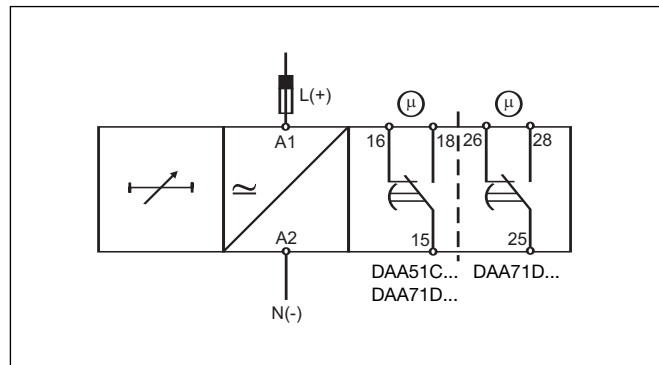
Lower knob:

Setting of time range

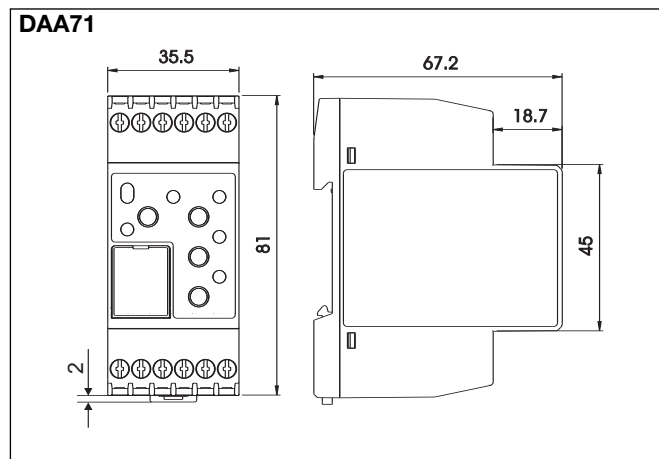
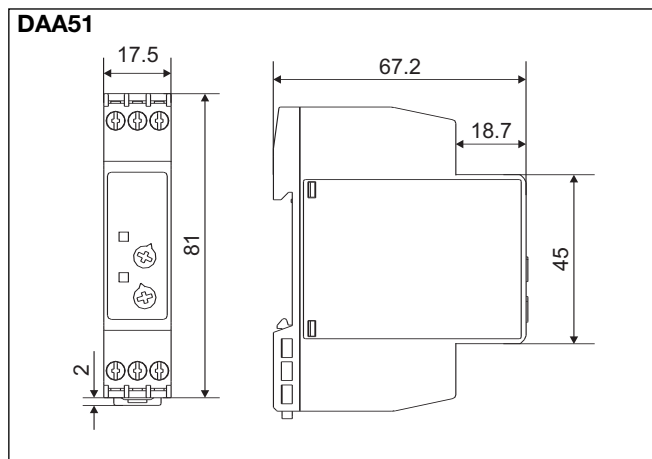
Operating Diagram



Wiring Diagram



Dimensions



X-ON Electronics

Largest Supplier of Electrical and Electronic Components

Click to view similar products for [Time Delay & Timing Relays](#) category:

Click to view products by [Carlo Gavazzi](#) manufacturer:

Other Similar products are found below :

[5NO30](#) [614-11B-0A2](#) [614-11B-0A3](#) [614-11B-0A4](#) [614-11B-0A6](#) [614-11B-0A8](#) [614-11C-0A1](#) [614-11C-0A2](#) [614-11C-0A5](#) [614-11Q-0A3](#) [614-11Q-0A6](#) [614-11T-0A3](#) [614-11T-0A6](#) [614-11T-0A7](#) [614-12B-4A1](#) [614-12C-400](#) [614-12Q-400](#) [614-12T-600](#) [614-22T-4A1](#) [614-43B-400](#) [614-43C-100](#) [614-43F-200](#) [614-43Q-0A2](#) [614-43Q-100](#) [614-43Q-600](#) [614-43T-0A9](#) [614-43T-600](#) [614-43U-400](#) [614-43U-4A1](#) [614-43U-6A2](#) [615-21T-200](#) [655-11T-100](#) [655-11U-500](#) [655-12T-300](#) [655-22T-400](#) [655-22T-600](#) [CUA-41-30001](#) [CUA-41-30030](#) [CUA-41-70180](#) [CUA-41-71038](#) [CUA-42-30005](#) [CUA-42-30010](#) [CUA-42-30120](#) [CUA-42-70120](#) [CUA-99-72502](#) [CUC-41-30030](#) [CUF-42-30010](#) [CUH-41-31006](#) [7012AFX](#) [7012GD](#)