

DEA71



Earth Leakage Monitoring Relay



Benefits

- **Fixed trip level, easy setup "Plug'n Play"**. Time saving installation, reliable tripping level and safety against tampering.
- **2 outputs**. Two relay outputs provide, besides the alarm signal an additional warning output.
- **Nuisance tripping safe**. EN 60947-2 Annex M conformity.
- **Remote R/T button**. Input for external reset switch allows remote system restart in case of tripping.
- **Single / Threephase mains**. The DEA71 can be used on both three phase or single phase.

Description

The DEA71 is a modular residual current relay which, in conjunction with the MCB and the CT, provides protection against possible risks arising from insulation or grounding faults, by interrupting the mains on faulty loads or lines.

The setpoint of the leakage current is factory set to 30mA or 300mA according to model and it is not adjustable.

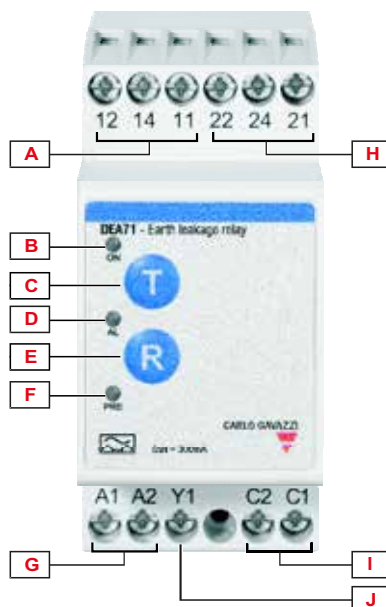
The device is equipped with two changeover relay outputs.

One output triggers at 60% of fault current setpoint value providing a warning to user, the other output is used to shut down the system to prevent accidents.

Applications

Having the fixed setting the DEA71 is particularly indicated in building automation for the installation in household or commercial buildings for properties protection.

Structure

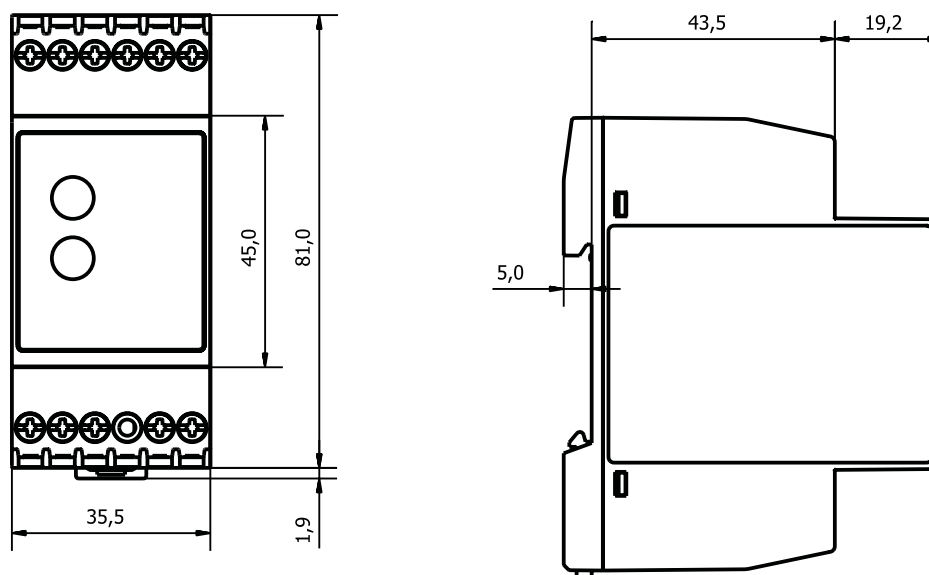


Element	Component	Function
A	Output 1	Main alarm SPDT relay output: 11 C, 12 NC, 14 NO
B	LED ON	Power ON GREEN LED
C	Test pushbutton	When pressed it will test the system integrity
D	LED AL	Alarm RED LED, it turns ON when current exceeds 80% of $I_{\Delta n}$
E	Reset pushbutton	Restores operation after an alarm has been triggered
F	LED PRE	Warning YELLOW LED. Lit when leakage level exceeds 60% of set $I_{\Delta n}$
G	Power supply terminals	Power supply from 24VAC to 240VAC
H	Output 2	Warning alarm output: 21 C, 22 NC, 24 NO
I	Sensor input	Input for external Core Balance Transformer (CTG)
J	Remote R/T	Input for remote R / T pushbutton (in conjunction with A2)

Features

General

Material	PA66 or Noryl
Colour	RAL7035 (light grey)
Mechanical form type	According to DIN 43880
Assembly	DIN rail mounting (according to EN 50022)
Protection degree	IP20
Weight	150 g
Terminals	Screw terminals. Cable size AWG30 to AWG12 (0.06 mm ² to 3.3 mm ²) stranded or solid
Tightening torque	0.4Nm to 0.8Nm (from 4lb-in to 7lb-in)



Power supply

Auxiliary power supply	24 to 240 Vac \pm 10%
Frequency	50 to 60 Hz \pm 10%
Consumption	< 2.5 VA
Overvoltage category	III

Environmental

Working temperature	-25° C to 60° C (-13° F to 140° F)
Storage temperature	-40° C to 80° C (-40° F to 176° F)
Relative humidity	5-95% non condensing
Pollution degree	2
Operating max altitude	2000 m amsl (6560ft)
Salinity	No saline environment
UV resistance	No UV exposure




Vibration/Shock resistance

Test condition	Test	Level
Tests with the device outside the box	Vibration response (IEC60255-21-1)	Class 1
	Vibration endurance (IEC 60255-21-1)	Class 1
	Shock (IEC 60255-21-2)	Class 1
	Bump (IEC 60255-21-2)	Class 1
Tests with the device inside the box	Vibration random (IEC60068-2-64)	Class 1
	Shock (IEC 60255-21-2)	Class 1
	Bump (IEC 60255-21-2)	Class 1

Class 1: normal use in industrial plants, normal transportation conditions.

Compatibility and conformity

CE-marking	Complies to European LV directive 2014/35/EU and EMC directive 2014/30/EU EN 60947-2 Annex M, EN 62020
Approvals	 UL508, CSA Standard C22.2 No. 14-10 – Industrial control equipment, RoHS Directive
Other standards	IEC TR 60755

Inputs

Current measuring input

Typology	Residual current measuring from Core Balance Transformer (CBT)
Type	A
CBT type	Only Carlo Gavazzi CTG family types can be used. Select model according to mains cable diameter
Measuring range (I Δ n)	DEA71DM24A003: 30mA DEA71DM24A030: 300mA
Warning threshold	60% I Δ n
Alarm threshold	80% I Δ n
Current overloads (continuous)	5x I Δ n
Resolution (% of the selected I Δ n)	2%
Accuracy (% of the selected I Δ n)	10%
Repeatability (% of the selected I Δ n)	2%

Remote Test/Reset input

Typology	Input for push-button on connectors Y1, A2
Logic levels	Open state: >100kOhm Closed state: <100Ohm
Refresh time	≤ 500ms

Outputs

Output 1	
Typology	Relay SPDT on contacts 11(C), 12(NC), 14(NO) ⁽¹⁾ AC1: 5 A @ 250 VAC ⁽²⁾ DC12: 5 A @ 24 VDC ⁽²⁾ AC15: 2.5 A @ 250 VAC DC13: 2.5 A @ 24 VDC
Electrical lifetime	10 ⁵ operations @ 250 VAC resistive load
Assignment	Associated to MAIN alarm
Logic	Energised when MAIN alarm OFF
Reaction time	215 ms (from CT variation detection to relay switching)
Output 2	
Typology	Relay SPDT on contacts 21(C), 22(NC), 24(NO) ⁽¹⁾ AC1: 5 A @ 250 VAC ⁽²⁾ DC12: 5 A @ 24 VDC ⁽²⁾ AC15: 2.5 A @ 250 VAC DC13: 2.5 A @ 24 VDC
Electrical life	10 ⁵ operations @ 250 VAC resistive load
Assignment	Associated to WARNING alarm
Logic	Energised when WARNING alarm OFF
Reaction time	215 ms (from CT variation detection to relay switching)

⁽¹⁾ Normally Open / Closed are intended when device is not powered.

⁽²⁾ 5A is actually the connector current limit.

Operating diagram

The DEA71 is a modular residual current device which is used to detect when a failure, of an electric circuit, causes a current leak to earth.

The mains cables are passed through an external CBCT (Core Balance Current Transformer), with the exception of the PE which has to be routed outside, as shown in the hereafter suggested connection diagram.

Normal operation

When the circuit is powered the green LED (ON) will turn ON. If the current flowing to the load/s through the lines is the same flowing back from the load/s, the resulting current on the CBCT output will be zero. All other LEDs are OFF, both output relays are energised, external MCB is closed.

Alarm detection

In case of leak on the load or lines, the amount of current flowing back from the load is less than the one provided. This unbalancement causes a current flow on the CBCT output. The current is proportional to the leakage current.

If the leakage is below 60% of the set leakage threshold $I_{\Delta n}$, no indication is provided. Above 60% the warning signal goes off: LED "PRE" will light and output 2 relay is de-energised (terminal 21 closed on 22).

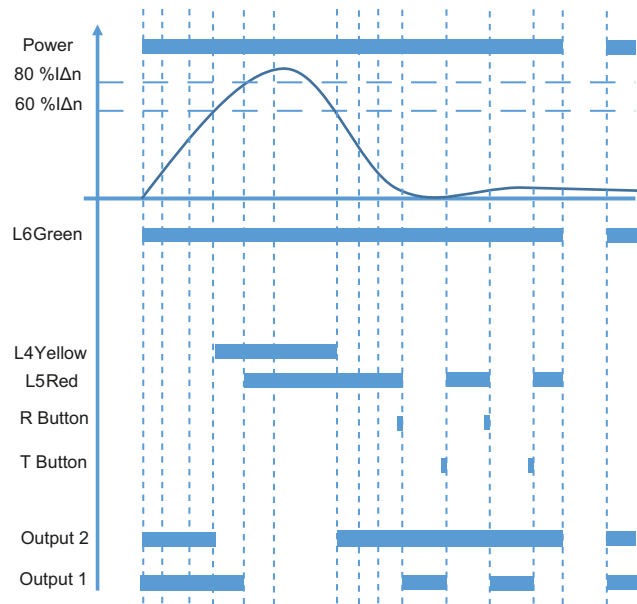
When the leakage rises above 80%, of the set threshold, ALARM goes off: red LED "AL" is lit, output 1 is de-energised (terminal 11 closed on 12). The external MCB will open, disconnecting the mains from the load/s.

Reset

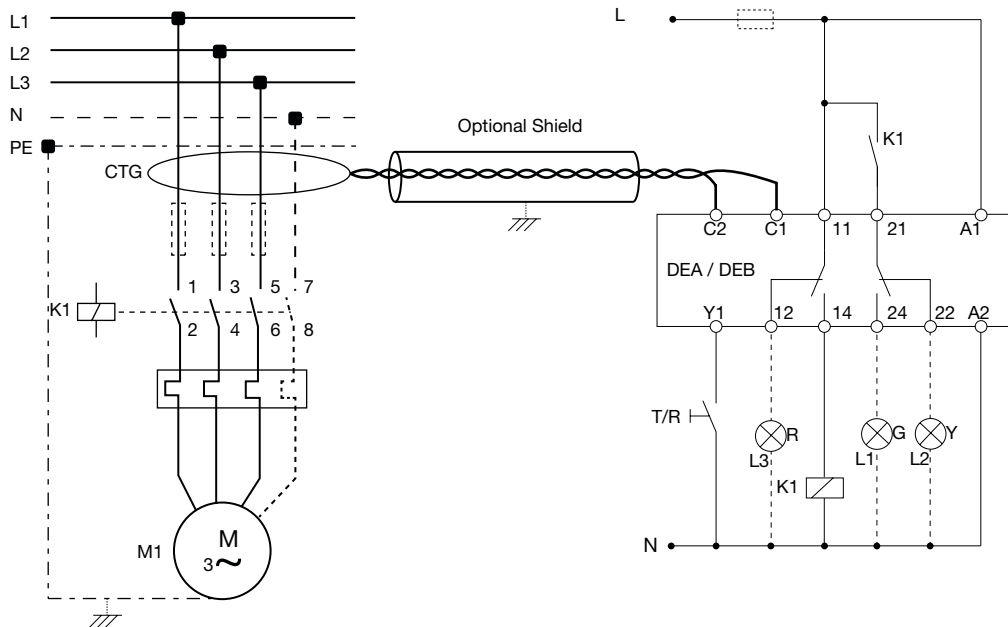
When the fault cause has been eliminated, operation can be restored by pressing the R pushbutton on the device front panel or by pressing the remote R/T pushbutton.

Test

System integrity has to be periodically tested by pressing the T pushbutton on the device front panel. It is also possible by pressing the remote R/T pushbutton for more than 2s.



Connection Diagrams



References

Order code



DEA71DM24A003

Fixed tripping current $I_{\Delta n}$ 30mA

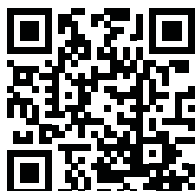


DEA71DM24A030

Fixed tripping current $I_{\Delta n}$ 300mA

CARLO GAVAZZI compatible components

Purpose	Component name/code key	Notes
Core balance transformer, hole \varnothing 35 mm	CTG035	
Core balance transformer, hole \varnothing 50 mm	CTG050	
Core balance transformer, hole \varnothing 70 mm	CTG070	
Core balance transformer, hole \varnothing 120 mm	CTG120	
Core balance transformer, hole \varnothing 160 mm	CTG160	
Core balance transformer, hole \varnothing 210 mm	CTG210	



COPYRIGHT ©2016
Content subject to change. Download the PDF: www.productselection.net

X-ON Electronics

Largest Supplier of Electrical and Electronic Components

Click to view similar products for [Industrial Relays](#) category:

Click to view products by [Carlo Gavazzi](#) manufacturer:

Other Similar products are found below :

[6-1618400-7](#) [686-117111](#) [686-120111](#) [EV250-4A-02](#) [EV250-6A-01](#) [FCA-125-CX8](#) [FCA-410-138](#) [8-1618393-1](#) [GCA32A208VAC60HZ](#)
[GCA32A220VAC50/60HZ](#) [GCA32A230VAC50/60HZ](#) [GCA32A240VAC50/60HZ](#) [GCA32A48VAC60HZ](#) [GCA63A120VAC50/60HZ](#)
[GCA63A208VAC60HZ](#) [GCA63A220VAC60HZ](#) [GCA63A230VAC50/60HZ](#) [GCA63A240VAC50/60HZ](#) [GCA63A277VAC60HZ](#)
[GCA63A48VAC60HZ](#) [GCA63A500VAC50/60HZ](#) [GCA63A600VAC60HZ](#) [GCA800A200VACDC](#) [GCA95A110VAC50/60HZ](#)
[GCA95A120VAC50/60HZ](#) [GCA95A12VDC](#) [GCA95A240VAC50/60HZ](#) [GCA95A24VAC50/60HZ](#) [GCA95A48VAC60HZ](#) [ACC530U20](#)
[ACC730U30](#) [1395832-1](#) [RM699BV-3011-85-1005](#) [RMIA210230AC](#) [RMIA45024AC](#) [1423675-8](#) [B07B032AC1-0329](#) [B329](#) [1617807-1](#)
[N417](#) [P25-E5019-1](#) [P30C42A12D1-120](#) [2-1618398-1](#) [PBO-18A1218](#) [2307497](#) [RPYA00324LT](#) [RPYA003A120LT](#) [KR-4539-1](#)
[RT334012WG](#) [S160156115](#)