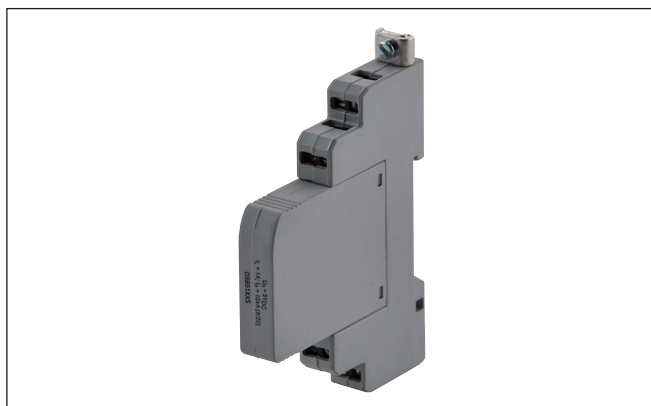


Monitoring Relays Surge Arresters for communication systems Type DSB S

CARLO GAVAZZI



- Universal surge arrester for 2-wires communication buses
- Perfect choice for RS485 and RS serial lines
- Dual technology with GDT and tranzorb
- DIN-rail mounting
- Replaceable plug in module

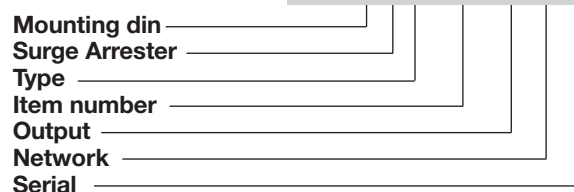
Product Description

DSB51XXS is a surge protecting device that has been specifically designed for 2 and 4 wires communication buses at 5V (eg. RS485, RS422 (with 2 devices) and Modbus RTU), measuring, controlling and regulating devices used in industrial and residential environments. It can also be used for protecting from overvoltages

devices such as inverters, energy meters, interface protections (coupling devices), control and acquisitions systems in photovoltaic installations that are interconnected by means of serial communication lines. The construction is DIN rail mounting and the cartridge is replaceable.

Ordering Key

DSB 51 X X S



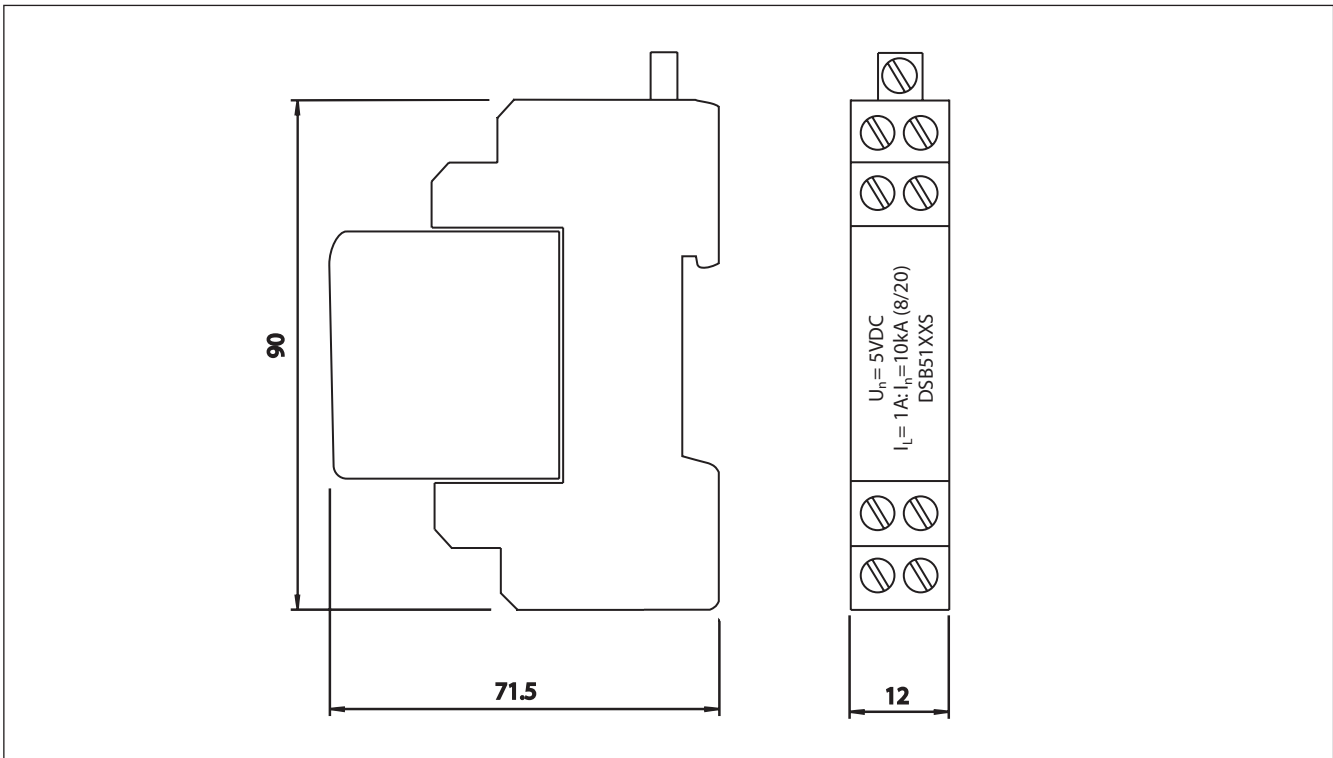
Type Selection

Code	Description	Nominal voltage of the system	Output relay	Cartridge
DSB51XXS	Surge arrester for 2-wire communication bus	5V	No	Yes

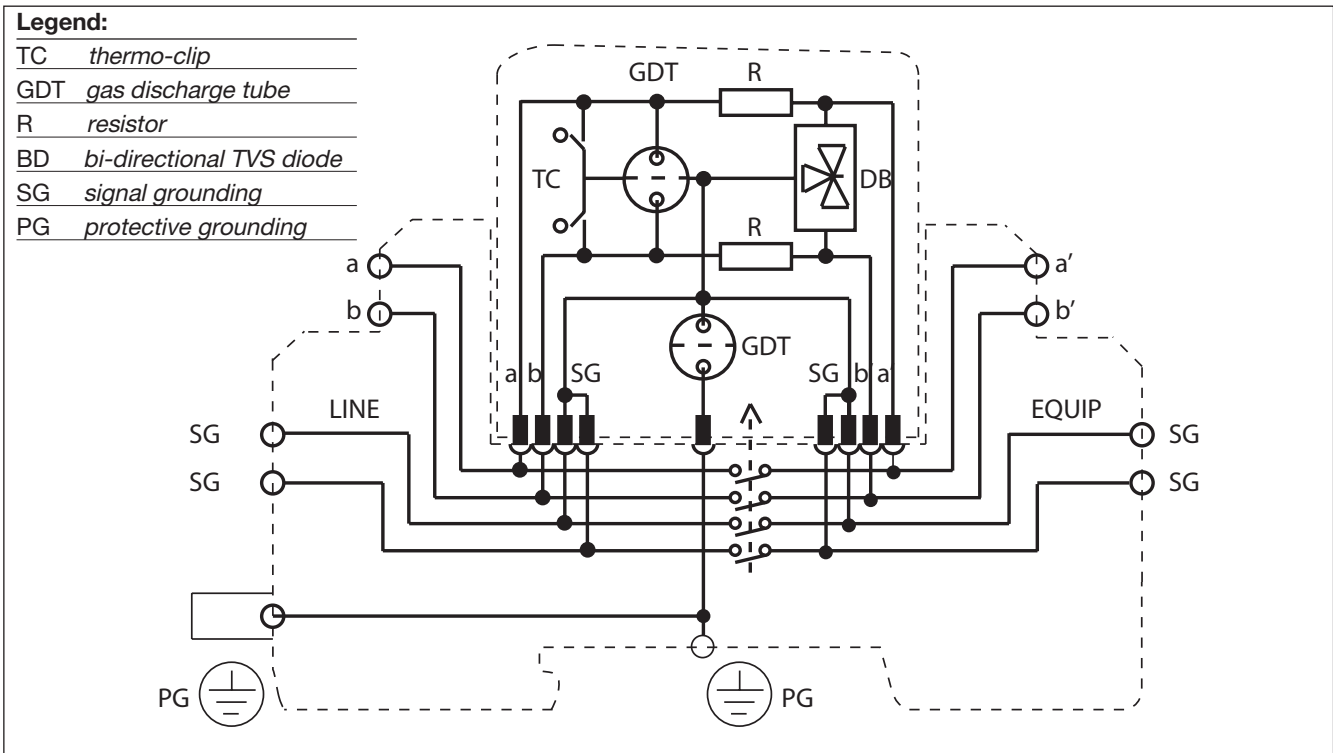
General Specifications

Nominal operating voltage	U_n 5VDC	Transverse capacitance (a, b-SG) (SG-PG)	C 50pF 5pF
Max. continuous oper. voltage	U_c 7VDC	Insulation resistance of the protection (a-b) (SG-PG)	$\geq 5k\Omega$ / 5VDC
Rated spark over voltage (SG-PG) (a-b), (a, b-SG)	184-276V 6-8V	Series resistance	1.6ohm \div 2ohm
Nominal discharge current (8/20usec)	I_n 10kA	Protection distance	10 m (suggested value)
Max discharge current (8/20usec)	I_{max} 20kA	Coarse protection	3 terminal GDT
Rate operating current @ 25°C	I_L 1A	Mode of protection	Longitudinal, Transverse
Residual voltage @ 5kA (8/20usec)	<22V (line-line)	Operating temperature	-40 to +80 °C
Response time of overload protection (a, b-SG) (SG-PG)	t_a <1ns 100nsec	Protection degree	IP 20
Limit frequency	30MHz	Housing material	Thermoplastic; gray; extinguishing degree V-O
		Terminal cross section	Multi-strand to 4mm ²
		Mounting EN 60715	On a 35mm DIN rail
		Design	Replaceable plug-in module
		Dimensions	H90 x L12 x P71.5mm
		CE Marking	Yes

Dimensions



Wiring Diagrams



X-ON Electronics

Largest Supplier of Electrical and Electronic Components

Click to view similar products for [Industrial Relays](#) category:

Click to view products by [Carlo Gavazzi](#) manufacturer:

Other Similar products are found below :

[6-1618400-7](#) [686-117111](#) [686-120111](#) [EV250-4A-02](#) [EV250-6A-01](#) [FCA-125-CX8](#) [FCA-410-138](#) [8-1618393-1](#) [GCA32A208VAC60HZ](#)
[GCA32A220VAC50/60HZ](#) [GCA32A230VAC50/60HZ](#) [GCA32A240VAC50/60HZ](#) [GCA32A48VAC60HZ](#) [GCA63A120VAC50/60HZ](#)
[GCA63A208VAC60HZ](#) [GCA63A220VAC60HZ](#) [GCA63A230VAC50/60HZ](#) [GCA63A240VAC50/60HZ](#) [GCA63A277VAC60HZ](#)
[GCA63A48VAC60HZ](#) [GCA63A500VAC50/60HZ](#) [GCA63A600VAC60HZ](#) [GCA800A200VACDC](#) [GCA95A110VAC50/60HZ](#)
[GCA95A120VAC50/60HZ](#) [GCA95A12VDC](#) [GCA95A240VAC50/60HZ](#) [GCA95A24VAC50/60HZ](#) [GCA95A48VAC60HZ](#) [ACC530U20](#)
[ACC730U30](#) [1395832-1](#) [RM699BV-3011-85-1005](#) [RMIA210230AC](#) [RMIA45024AC](#) [1423675-8](#) [B07B032AC1-0329](#) [B329](#) [1617807-1](#)
[N417](#) [P25-E5019-1](#) [P30C42A12D1-120](#) [2-1618398-1](#) [PBO-18A1218](#) [2307497](#) [RPYA00324LT](#) [RPYA003A120LT](#) [KR-4539-1](#)
[RT334012WG](#) [S160156115](#)