

# Counters

## Electromechanical Hour Meter

### Types E1HM4



- 7/8 digits hour meter
- Without reset
- High shock resistance
- Long life service
- IP65 front

### Product Description

This very small hour meter can be used as meter for service intervals in many applications such as: UV lamps, small appliances, respiratory ventilators, oxygen machines, dialysis machines.

### Ordering Key

**E1HM4 0 351**

Type \_\_\_\_\_  
 Housing type \_\_\_\_\_  
 Supply voltage \_\_\_\_\_  
 Stock items: E1HM40071  
 E1HM40075  
 E1HM40084  
 E1HM40351

### Approvals



### Housing

0	See fig.1
1	See fig.2
2	See fig.3
4	See fig.4

### Supply Voltages and Consumption<sup>1</sup>

	Supply voltage	AC 50Hz	AC 60Hz	VDC
071	20÷30	0.3VA	-	-
081		-	0.3VA	-
072	42÷48	0.25VA	-	-
082		-	0.25VA	-
074	100÷130	0.6VA	-	-
084		-	0.6VA	-
381	187÷264	-	-	0.75W
075		1.2VA	-	-
085	-	-	1.2VA	-
351	10÷30	-	-	0.5W
353	36÷80	-	-	0.9W

### General Data

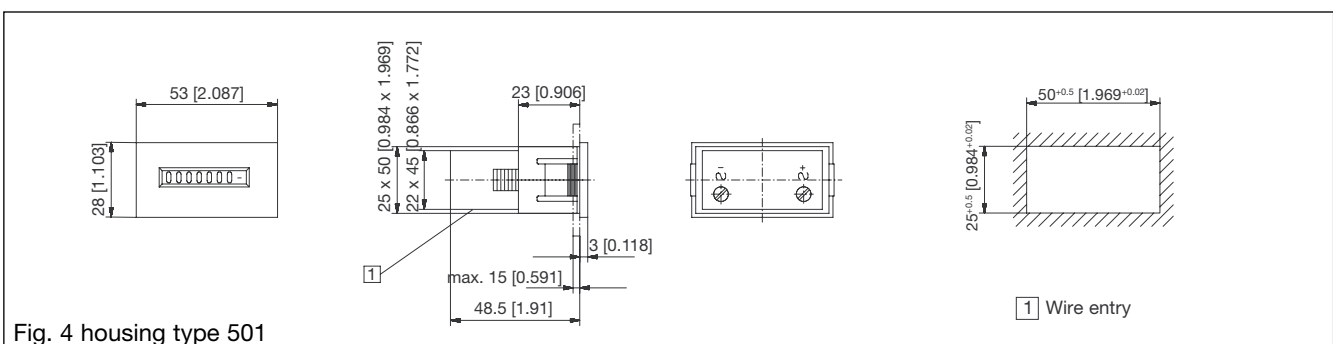
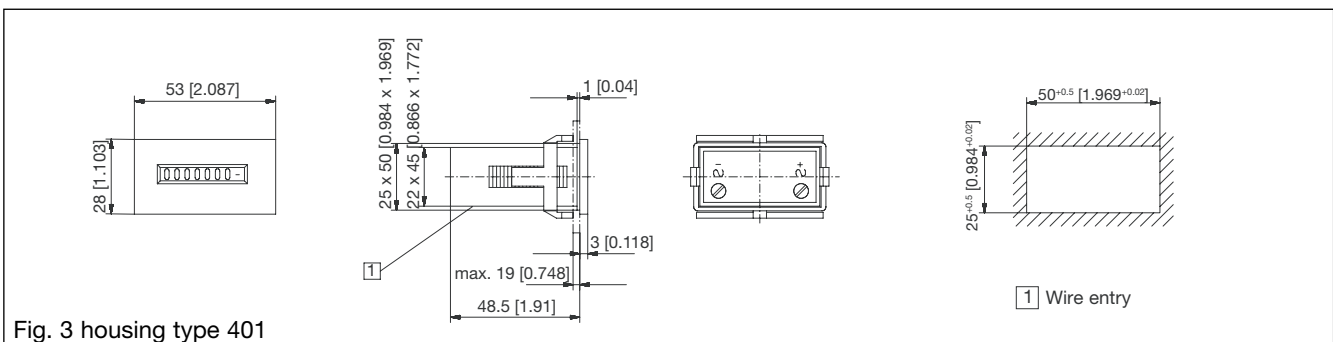
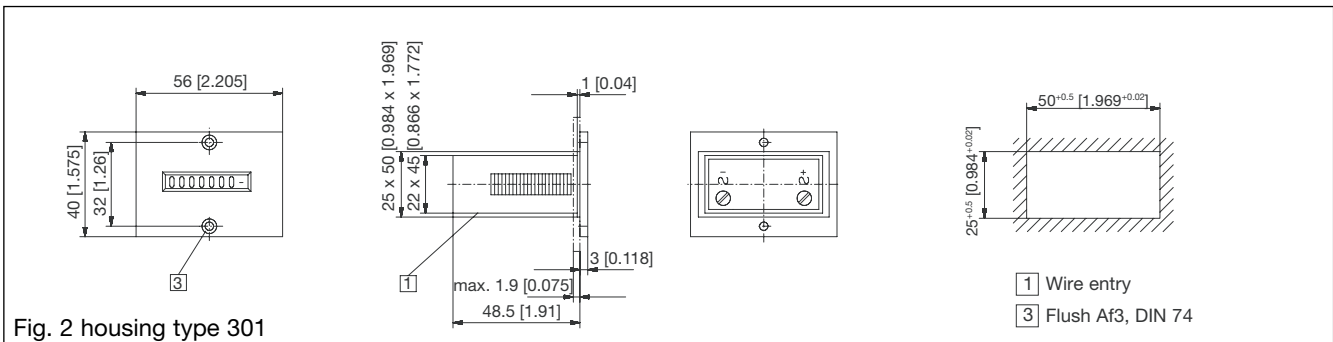
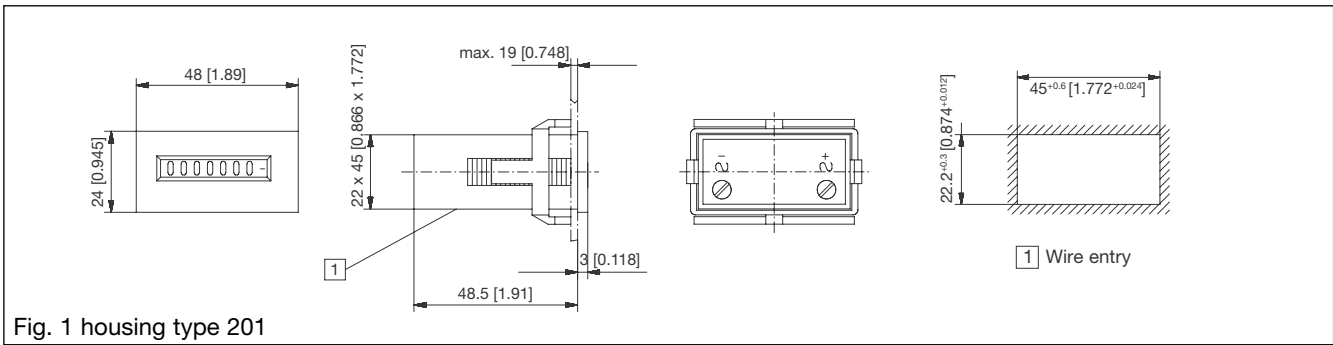
Display	AC DC	7 digits (99999.99) 8 digits (9999999.99)
Dimensions of digits		H 4mm/0.158"
Colour of digit figures		White on Black (decimal: red on black)
Operating temperature		-10...+50°C/14...122°F
Mounting position		Any
Connections		Screw terminals max torque 0.8Nm
Housing colour		Black RAL 9005
Housing material		Plastic
Weight		50g/1.764oz
Panel cut-out HxL		22.2x45mm / 0.874"x1.772" 25.0x50mm / 0.984"x1.969"
Degree of protection		IP65 (are sealed)

### Measuring Specifications

Counting mode	adding
On time	100%
Reset	No
Accuracy	
AC	Supply freq. +30ms
DC	<0.003% (24h)

<sup>1</sup> The available voltages are those where the consumption is indicated

## Dimensions mm/inches



## Options

Upon request	Flat pins connection 0.8x6.3mm (0.032x0.248")
Upon request	Screw terminals with terminal cover

## X-ON Electronics

Largest Supplier of Electrical and Electronic Components

*Click to view similar products for [Counters & Tachometers](#) category:*

*Click to view products by [Carlo Gavazzi](#) manufacturer:*

Other Similar products are found below :

[LC2H-FE-2K-N](#) [SM155115300](#) [LC24-F-N](#) [81333-26](#) [H7ER-NV1-H](#) [SM1557242K](#) [SM155724300](#) [26546848](#) [1-4615](#) [1-4625](#) [1-4635](#)  
[1.230.301.038](#) [H5KLR-11](#) [100-240V AC/DC](#) [H7CX-AUD1-N](#) [H7CX-AW-N](#) [LC2H-C-2K-N](#) [LC2H-C-30-N](#) [LC2H-F-DL-2KK](#) [LC4H-R6-](#)  
[AC240V](#) [1.150.510.012.550](#) [6.520.012.300](#) [6.560.010.300](#) [CT6S-1P4](#) [Y-50](#) [LC4H-R4-DC24V](#) [H5KLR-11](#) [12-48V AC/DC](#) [H7CX-A11-N](#)  
[H7CX-AD-N](#) [H7CX-AU-N](#) [H7ER-NV1](#) [E53-COV19](#) [LC4H-W-R6-DC24VS](#) [UT372](#) [LC4H-W-R6-AC240V](#) [6.560.010.000](#) [LC2H-F-2KK](#)  
[LC4H-R6-DC24V](#) [99776907](#) [AH5CK](#) [12-48V AC/DC](#) [87623570](#) [7111](#) [CLI-01](#) [AH5CK](#) [100-240V AC/DC](#) [H5KLR-8B](#) [100-240V AC/DC](#)  
[H8DA](#) [100-240V AC/DC](#) [SM1551152K](#) [87621111](#) [99766922](#) [99776927](#) [VPC300](#)