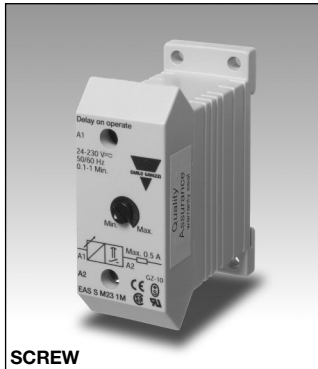


# Timers

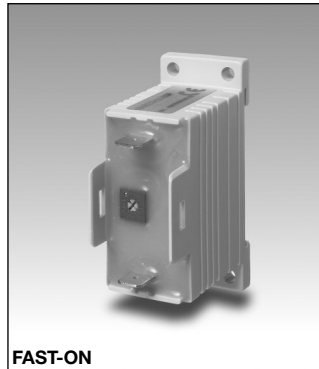
## Delay on Operate

### Type EAS

CARLO GAVAZZI



SCREW



FAST-ON

- Fail-safe two-wire connection
- Low-cost
- Multi-voltage: 24-230 VAC/DC
- Delay on operate
- Time range: 0.5 s - 10 m
- Knob-adjustable time setting
- Output: SCR 10-500 mA (screws) and SCR 10-700mA (Fast-ON)
- For mounting on DIN-rail in accordance with DIN/EN 50 022
- 22.5 mm small Euronorm housing

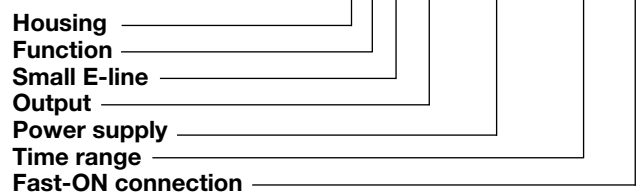
## Product Description

Small, low-cost mono function timer with adjustable time setting. Only 2-wire connection for easy and fail-safe use (see diagram).

For mounting on DIN-rail or directly on surface by screws. The timer is used e.g. to delay small industrial relays or 3-phase contactors.

## Ordering Key

**EAS S M23 10S F**



## Type Selection

Mounting	Output	Time range	Connection	Supply: 24 - 230 VAC/DC
For DIN-rail or for screw	SCR	0.5 - 10 s	Screws	<b>EAS S M23 10S</b>
	SCR	0.1 - 1 m	Screws	<b>EAS S M23 1M</b>
	SCR	1 - 10 m	Screws	<b>EAS S M23 10M</b>
For DIN-rail or for screw	SCR	0.5 - 10 s	Fast-ON	<b>EAS S M23 10S F</b>
	SCR	0.1 - 1 m	Fast-ON	<b>EAS S M23 1M F</b>
	SCR	1 - 10 m	Fast-ON	<b>EAS S M23 10M F</b>

## Time Specifications

<b>Time ranges</b>	
10 s	0.5 - 10 s
1 m	0.1 - 1 m
10 m	1 - 10 m
<b>Time range accuracy</b>	max. setting: actual time $\geq$ max. set time min. setting: actual time $\leq$ min. set time
<b>Repeat accuracy</b>	$\leq 0.2\%$
<b>Time variation</b> Within rated power supply and ambient temperature	$\leq 0.1\%/V$ $\leq 0.2\%/^{\circ}C$
<b>Reset</b> Time and output	Power supply interruption $\geq 200$ ms

## Output Specifications

<b>Output</b>	SCR
<b>Output current</b>	
Maximum load current (screw terminals) (Fast-ON connection)	500 mA 700 mA
Maximum current for 100 ms (screw terminals) (Fast-ON connection)	5.5 A 7 A
Minimum load current	10 mA
<b>Leakage current</b>	$\leq 3.5$ mA @ 230 V typ.: 2 m
<b>Voltage drop</b>	$\leq 8$ VAC/DC typ.: 5 VAC/DC @ 50 mA

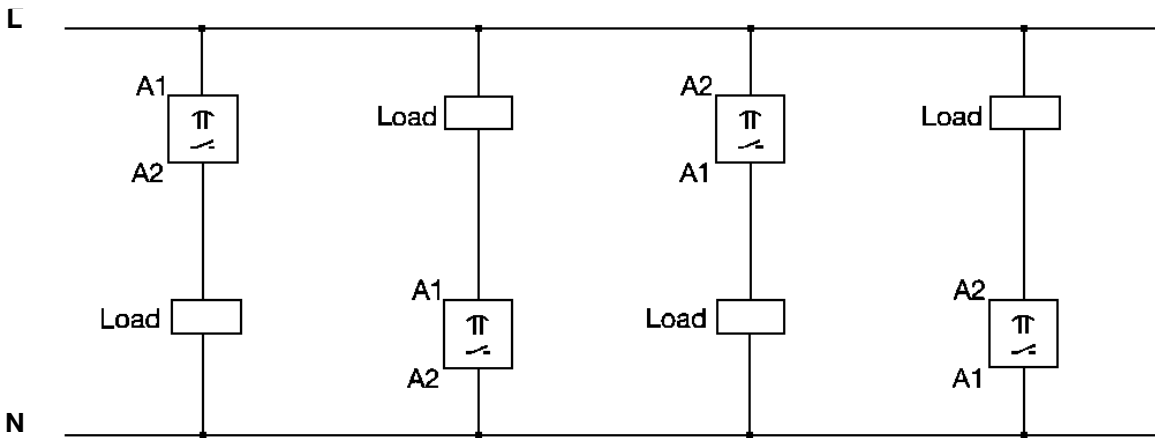
## Supply Specifications

<b>Power supply</b>	Overvoltage cat. III (IEC 60664) (IEC 60038)
Rated operational voltage	24-230 VAC/DC, -10/+15%
Rated insulation voltage	None

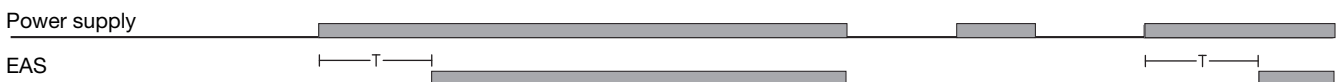
## General Specifications

<b>Power ON delay</b>	≤ 100 ms	Max. screws tightening torque	0.5 Nm
<b>Power OFF delay</b>	≥ 200 ms		Dimensions (Fast-ON connection)
<b>Environment</b>		Material	ABS
Degree of protection	IP 20	<b>Approvals</b>	UL, CSA
Pollution degree	3	<b>CE Marking</b>	Yes
Operating temperature	-20° to +50°C (-4° to +122°F)	<b>EMC</b>	Electromagnetic compatibility
Storage temperature	-30° to +80°C (-22° to +176°F)	Immunity	Acc. to IEC 60801-4 Acc. to IEC 60801-5
<b>Weight</b>	50 g		
<b>Housing</b>			
Dimensions (screw connection)	22.5 x 56 x 49 mm		

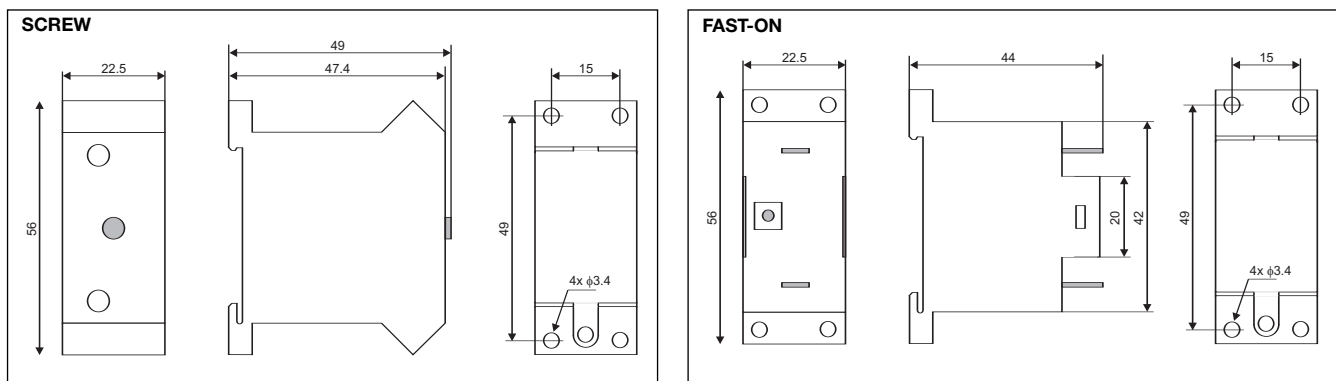
## Wiring Diagram



## Operation Diagram



## Dimensions



## X-ON Electronics

Largest Supplier of Electrical and Electronic Components

*Click to view similar products for [Time Delay & Timing Relays](#) category:*

*Click to view products by [Carlo Gavazzi](#) manufacturer:*

Other Similar products are found below :

[7012GD](#) [7012L10BN](#) [7012L10DY1N](#) [7012L10FN](#) [7012L10HN](#) [7012L26K](#) [7012L8AI2LLSN](#) [7012L8BN](#) [7012L8KN](#) [7012OBILM](#)  
[7012OIT](#) [7012PALL](#) [7012PDM](#) [7012PFX](#) [7022L10DN](#) [7022L8BN](#) [7022L8EN](#) [7022L8HN](#) [7022X3D](#) [7024NB](#) [7024SCT](#) [88256455](#) [H3BG-](#)  
[N8H](#) [AC110V](#) [H3CRF8AC2448DC1248](#) [1423151-3](#) [1423154-8](#) [1423462-7](#) [1423618-6](#) [1423151-5](#) [1423156-7](#) [1423618-4](#) [1472925-1](#)  
[2112AH1SDC947](#) [2122DH1NJC467](#) [2122DH1PE](#) [2-1617805-2](#) [2-1617805-6](#) [K61C-08](#) [286XCXC-300-24D](#) [SCBRX022XXACXAC991](#)  
[SHS10S110A](#) [SHS20M220A](#) [1755074-5](#) [SSC12AKA](#) [FAASPRING2](#) [2112DH3NDC50-13](#) [2-1437479-8](#) [2-1617805-1](#) [2-1617805-3](#) [2-](#)  
[1617805-7](#)