

Counters

Electromechanical counter/hour meter

Types ECH4



ECH4

- 2 instruments combined
- No reset
- High shock resistance
- Magnified figures

Product Description

This device is a combination of 2 instruments into a single housing. It features an hour meter in combination of pulse counter. It is suitable

to measure service intervals together with counting, respiratory ventilators, UV lamps and small appliances.

Approvals



Supply Voltages and Consumption¹

	Supply voltage	Power Consumption		
		AC 50Hz	AC 60Hz	VDC
071	20÷30	0.53VA	-	-
081		-	0.53VA	-
072	42÷48	0.53VA	-	-
082		-	0.53VA	-
074	100÷130	1.43VA	-	-
084		-	1.43VA	-
381	187÷264	-	-	11.75W
075		3.0VA	-	-
085	-	-	3.0VA	-
351	10÷30	-	-	1W
353	36÷80	-	-	1.65W

General Data

Dimensions of digits	1.7x4mm/0.066"x0.158"
Colour of digit figures	White on Black
pulse counter	White on Black for Hours
hour meter	Red on Black for decimals
Figures shaft	Stainless steel
Operating temperature	-15...+50°C/5...122°F
Operating life	>50x10 ⁶ pulses
Mounting position	Any
Connections	Flat pin 0.8x6.3mm with screw terminals tightening max. torque 0.8Nm
Degree of protection	IP65 (front)
Housing colour	Black RAL 9005
Weight	65g/2.29oz

Ordering Key

ECH4 0 071

Type _____
Housing type _____
Supply Voltages _____
Stock items: ECH40075
ECH40084
ECH40351

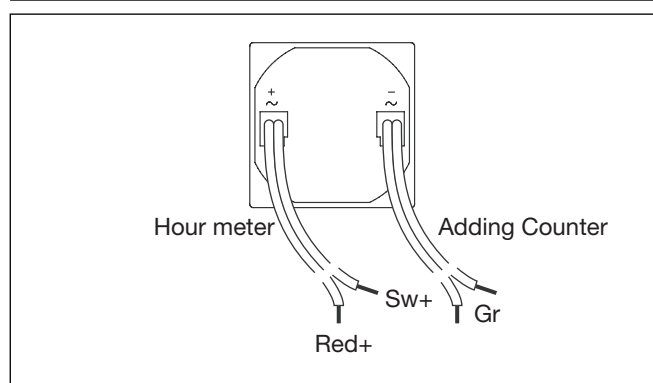
Housing

0	(fig.1)
1	(fig.2)
2	(fig.3)

Measuring Specifications

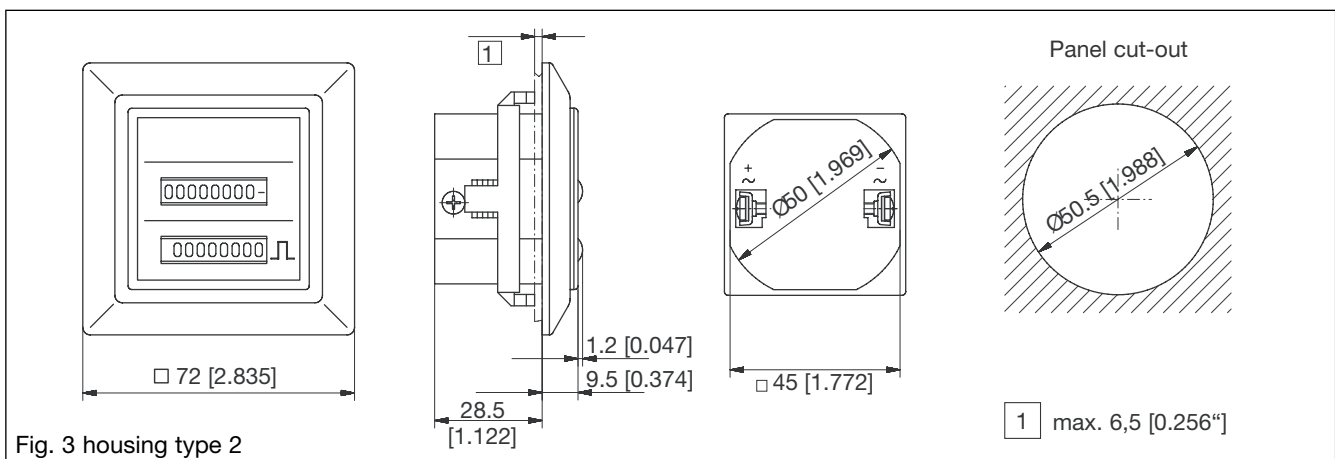
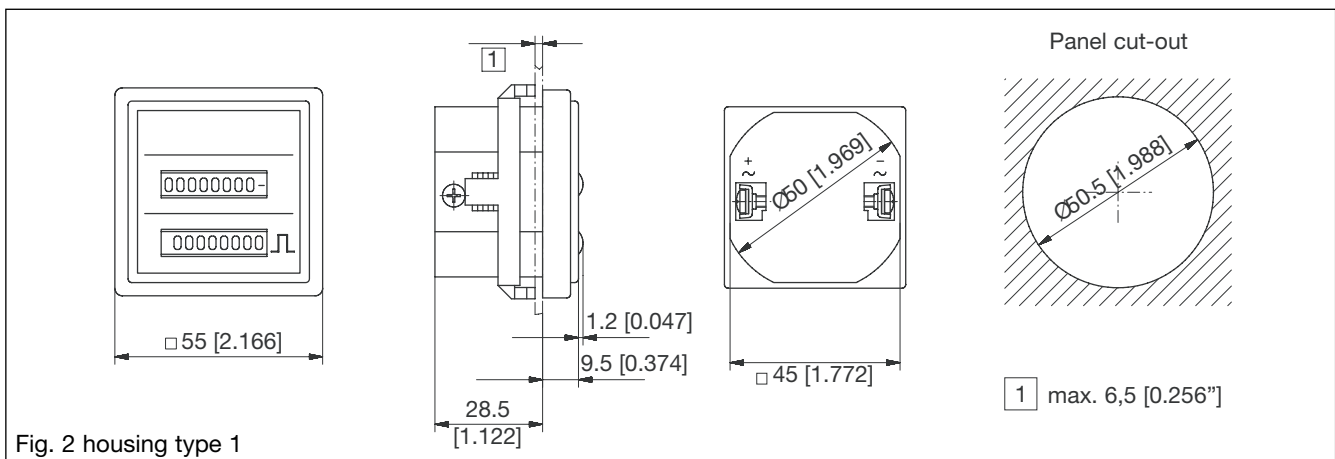
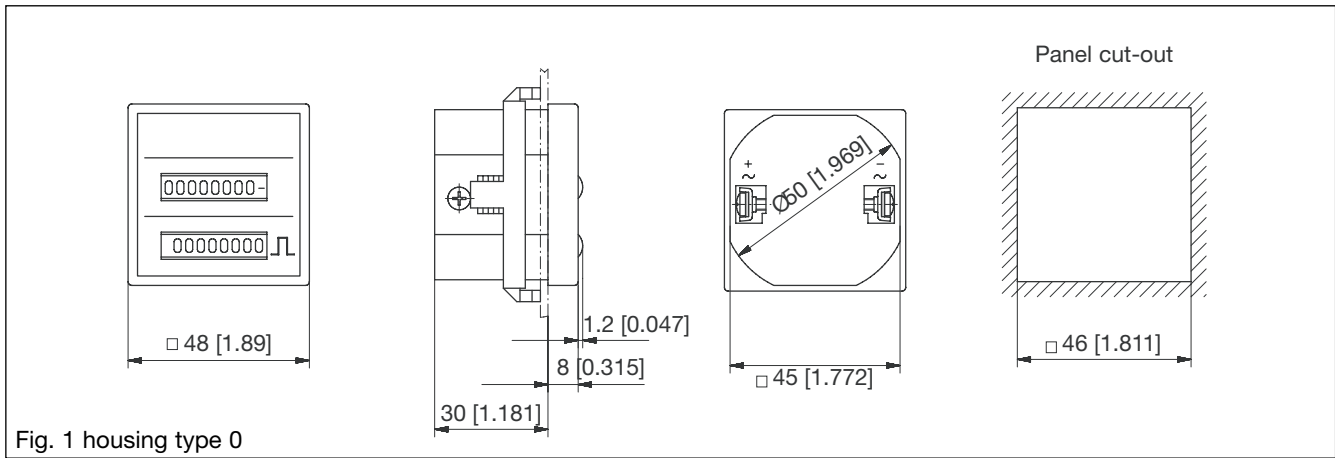
Counting mode	adding
Accuracy	
AC	supply frequency +30ms
DC	<0.003% (24h)
Reset	No
Hour meter	
AC	999999.99h (8 th digit rotating dash)
DC	999999.99h (last digit 1 turn every 36s)
On time	100%

Meter with separate connections (rear view)



¹ The available voltages are those where the consumption is indicated

Dimensions mm/inches



X-ON Electronics

Largest Supplier of Electrical and Electronic Components

Click to view similar products for [Counters & Tachometers](#) category:

Click to view products by [Carlo Gavazzi](#) manufacturer:

Other Similar products are found below :

[LC2H-FE-2K-N](#) [SM155115300](#) [LC24-F-N](#) [81333-26](#) [H7ER-NV1-H](#) [GPMZC-SET](#) [SM1557242K](#) [SM155724300](#) [26546848](#) [1-4615](#) [1-4625](#)
[1-4635](#) [1.230.301.038](#) [6.924.0101.0A0](#) [H127.010A01H](#) [H5KLR-11](#) [100-240V AC/DC](#) [H7CX-AUD1-N](#) [H7CX-AW-N](#) [3.550.401.075](#)
[3.550.401.351](#) [LC2H-C-2K-N](#) [LC2H-C-30-N](#) [LC2H-F-DL-2KK](#) [LC4H-R4-AC240VS](#) [LC4H-R6-AC240V](#) [1.150.510.012.550](#)
[1.150.510.054.550](#) [1.150.510.056.550](#) [6.520.012.300](#) [6.560.010.300](#) [SLE-73-1400-1-4-01](#) [SLIK-94-1521-1-3-001](#) [6.924.0103.300](#) [SPI-73-](#)
[1411-1-3-011](#) [CT6S-1P4](#) [Y-50](#) [LC4H-R4-AC24V](#) [LC4H-R4-DC24V](#) [CT6S-2P4](#) [H127.010A01G](#) [H5KLR-11](#) [12-48V AC/DC](#) [H7CX-A11-N](#)
[H7CX-AD-N](#) [H7CX-AU-N](#) [H7ER-NV1](#) [CT6S-1P2](#) [E53-COV19](#) [FX4S-1P4](#) [LC4H-W-R6-DC24V](#) [LC4H-W-R6-DC24VS](#)