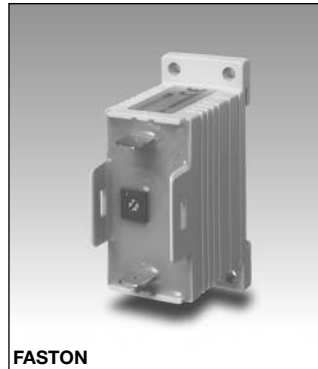


Timers Interval Type EBS

CARLO GAVAZZI



SCREW



FASTON

- Fail-safe two-wire connection
- Low-cost
- Multi-voltage: 24-230 VAC
- Interval timer
- Time range: 0,5 s - 10 m
- Knob-adjustable time setting
- Output: SCR 10-500 mA (screws) and SCR 10-700mA (Fast-ON)
- For mounting on DIN-rail in accordance with DIN/EN 50 022
- 22,5 mm small Euronorm housing

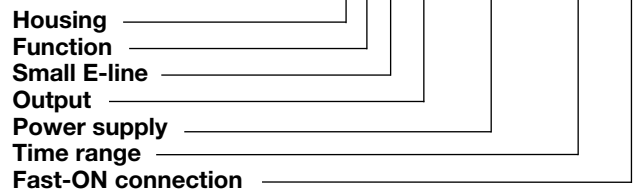
Product Description

Small, low cost monofunction timer with adjustable time setting. 2-wire connection for easy and fail-safe use (see diagram). For mounting on DIN-rail or

directly on surface by screw. The timer is used e.g. with industrial relays or 3-phase contactors.

Ordering Key

EBS S M23 10S F



Type Selection

Mounting	Output	Time range	Connection	Supply: 24 - 230 VAC
For DIN-rail or for screw	SCR	0.5 - 10 s	Screws	EBS S M23 10S
	SCR	0.1 - 1 m	Screws	EBS S M23 1M
	SCR	1 - 10 m	Screws	EBS S M23 10M
For DIN-rail or for screw	SCR	0.5 - 10 s	Fast-ON	EBS S M23 10S F
	SCR	0.1 - 1 m	Fast-ON	EBS S M23 1M F
	SCR	1 - 10 m	Fast-ON	EBS S M23 10M F

Time Specifications

Time ranges	
10 s	0.5 - 10 s
1 m	0.1 - 1 m
10 m	1 - 10 m
Time range accuracy	Max. setting: actual time \geq max. set time min. setting: actual time \leq min. set time
Repeat accuracy	$\leq 0.2\%$
Time variation	
Within rated power supply and ambient temperature	$\leq 0.1\%/V$ $\leq 0.2\%/^{\circ}C$
Reset	
Time and output	Power supply interruption ≥ 200 ms

Output Specifications

Output	SCR
Output current	
Maximum load current (screw terminals) (Fast-ON connection)	500 mA 700 mA
Maximum current for 100 ms (screw terminals) (Fast-ON connection)	5.5 A 7 A
Minimum load current	10 mA
Leakage current	≤ 3.5 mA @ 230 V typ.: 2 mA
Voltage drop	≤ 8 VAC typ.: 5 VAC @ 50 mA

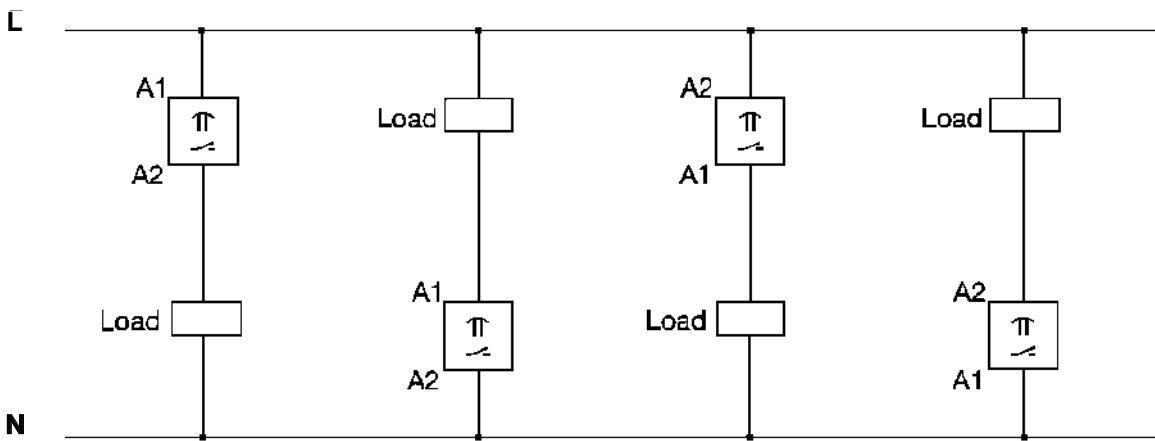
Supply Specifications

Power supply	Overvoltage cat. III (IEC 60664) (IEC 60038)
Rated operational voltage	24-230 VAC, -10/+15%
Rated insulation voltage	None

General Specifications

Power ON delay	≤ 100 ms	Approvals	UL, CSA
Power OFF delay	≥ 200 ms	CE Marking	Yes
Environment		EMC	Electromagnetic Compatibility Acc. to IEC 60801-4 Acc. to IEC 60801-5
Degree of protection	IP 20	Immunity	
Pollution degree	3		
Operating temperature	-20° to +50°C (-4° to +122°F)		
Storage temperature	-30° to +80°C (-22° to +176°F)		
Weight	50 g		
Housing			
Dimensions Screw terminals	22.5 x 56 x 49 mm		
Fast-ON connection	22.5 x 56 x 44 mm		
Material	ABS		

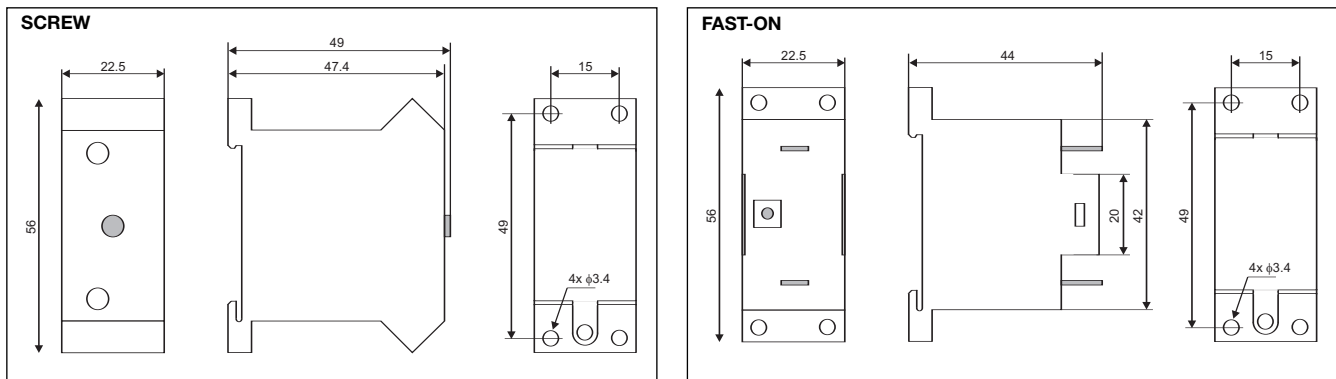
Wiring Diagram



Operation Diagram



Dimensions



X-ON Electronics

Largest Supplier of Electrical and Electronic Components

Click to view similar products for [Sensor Fixings & Accessories](#) category:

Click to view products by [Carlo Gavazzi](#) manufacturer:

Other Similar products are found below :

[EC18-WELL](#) [SA9Z-F11](#) [E4R-R12A-CS3M010](#) [E4R-R12A-CS3M020](#) [BS-1T CHITAN](#) [ICAB-1](#) [SA9Z-S07PN02](#) [ECT18-WELL](#) [57142-000](#)
[79450811](#) [T18908](#) [P2435.3](#) [TM1STNTCW69755](#) [FRS2](#) [P2432.3](#) [P2434.3](#) [AS7030B_WRISTBAND](#) [AS7038GB_WRISTBAND](#) [EVAL-](#)
[CHAMBER](#) [EVAL-CHAMBER-10](#) [MB18A](#) [R-6717-4F6](#) [51001R](#) [430233](#) [440101](#) [440102](#) [440121](#) [440122](#) [440131](#) [440132](#) [440135](#)
[440136](#) [440147](#) [XSZB108](#) [Y92E-BC12](#) [Y92E-BC18](#) [810-12AC/DC](#) [843-12AC/DC](#) [844-12AC/DC](#) [771000-6011](#) [771000-6202](#) [812-](#)
[12AC/DC](#) [834-12AC/DC](#) [909G](#) [910G](#) [913G](#) [92.031.9058.1](#) [92.032.9058.1](#) [925G](#) [771000-6010](#)