

# Proximity Sensors Inductive Flat pack Polycarbonate Housing Types EI 5510/EI 5515, DC-Types

CARLO GAVAZZI



- Sensing distance 10 or 15 mm
- Rated operational voltage: 10 to 40 VDC
- Output: DC 200 mA, NPN or PNP
- Make and break switching function
- LED indication for output ON
- Inductive, Capacitive and Photoelectric flat pack series in PC housing, IP 67
- Cable and plug versions

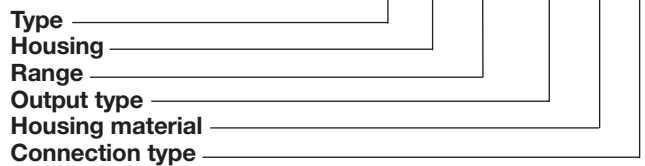
## Product Description

Inductive proximity switch with sensing distance 10 mm flush mounted in metal or 15 mm non-flush mounted. 4-wire with both make (NO) and break (NC) switching. Flat pack housing size (W x H x D)

35 x 55 x 15 mm made in polycarbonate. Easy mounting with only two M 3.5 screws. Ideal for use in conveying and material handling applications.

## Ordering Key

EI 55 10 NPA P-1



## Type Selection, DC Types

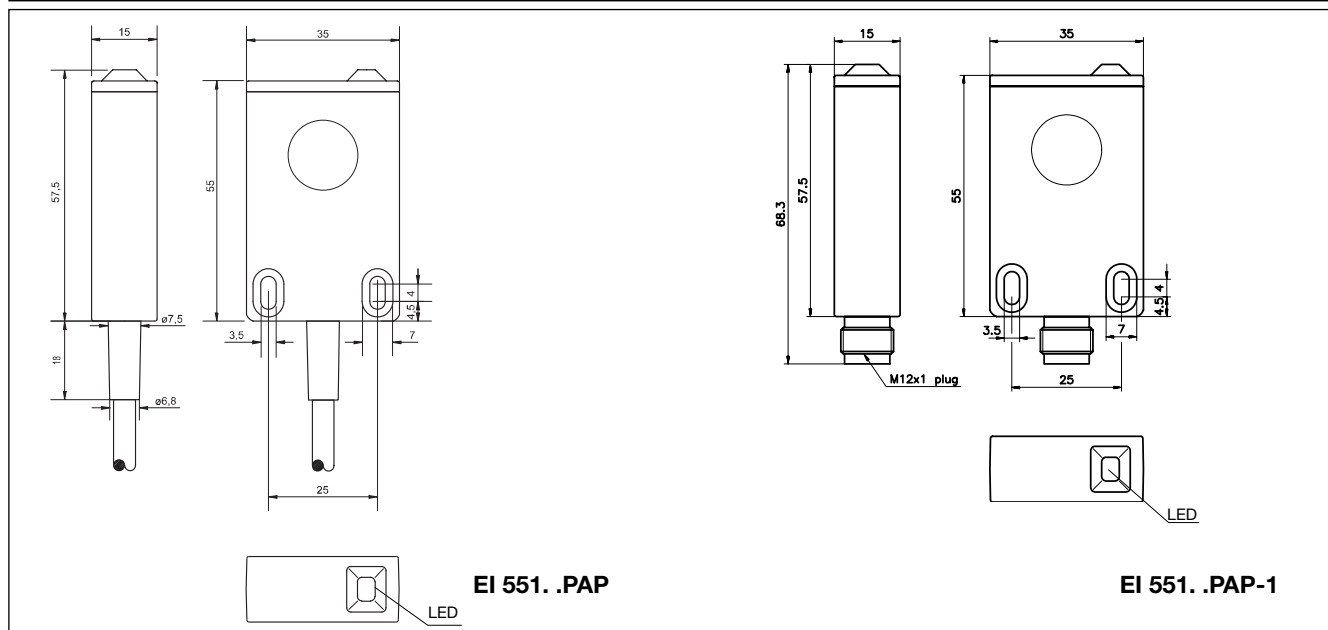
Housing diameter W x H x D	Rated operating dist. (S <sub>n</sub> )	Ordering no. NPN/cable Make & break swit.	Ordering no. NPN/plug Make & break swit.	Ordering no. PNP/cable Make & break swit.	Ordering no. PNP/plug Make & break swit.
35 x 55 x 15	10 mm 15 mm	EI 5510 NPAP EI 5515 NPAP	EI 5510 NPAP-1 EI 5515 NPAP-1	EI 5510 PPAP EI 5515 PPAP	EI 5510 PPAP-1 EI 5515 PPAP-1

## Specifications

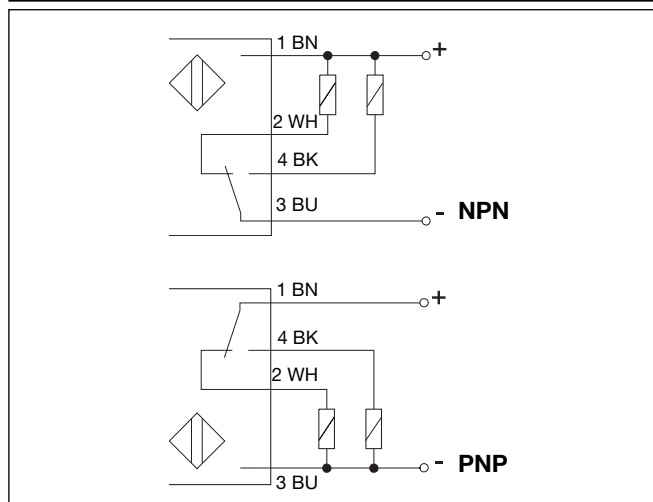
<b>Rated operational volt.</b> (U <sub>a</sub> ) (U <sub>B</sub> )	12 to 36 VDC 10 to 40 VDC (ripple included)	<b>Ambient temperature</b> Operating Storage	-25° to +70°C (-13° to +158°F) -30° to +80°C (-22° to +176°F)
<b>Ripple</b>	≤ 10%	<b>Degree of protection</b>	IP 67 (Nema 1, 3, 4, 6, 13)
<b>Rated operational current</b> (I <sub>o</sub> ) Continuous	≤ 200 mA	<b>Housing material</b>	Polycarbonate, grey
<b>No-load supply current</b> (I <sub>o</sub> )	≤ 7 mA	<b>Cable</b>	2 m, 4 x 0.3 mm <sup>2</sup> grey PVC, oil proof
<b>Voltage drop</b> (U <sub>d</sub> )	≤ 2 VDC at max. load	<b>Weight</b>	125 g cable version 40 g plug version
<b>Protection</b>	Reverse polarity, short-circuit	<b>EMC ratings</b>	Acc. to EN 50 082-2
<b>Power ON delay</b>	≤ 50 ms	ENV 50 140 RF Electromagnetic field AM, 80-1000 MHz, Level 3	10 V/m
<b>Frequency of operating cycles</b> (f)	EI 5510 500 Hz EI 5515 250 Hz	ENV 50 204 RF Electromagnetic field PM, 80-900 MHz, Level 3	10 V/m
<b>Indication for output ON</b>	LED, yellow	EN 61000-4-4 Fast transient Rep. freq. 5 kHz, Level 3	1 kV
<b>Assured operating dist.</b> (S <sub>a</sub> )	0 ≤ S <sub>a</sub> ≤ 0.81 S <sub>n</sub>		
<b>Repeat accuracy</b> (R)	≤ 5%		
<b>Hysteresis</b> (H) (Differential travel)	1 to 15% of sensing distance		
<b>Effective operating dist.</b> (S <sub>r</sub> )	0.9 x S <sub>n</sub> ≤ S <sub>r</sub> ≤ 1.1 x S <sub>n</sub>		
<b>Usable operating dist.</b> (S <sub>u</sub> )	0.9 x S <sub>r</sub> ≤ S <sub>u</sub> ≤ 1.1 x S <sub>r</sub>		



## Dimensions



## Wiring Diagrams



## Accessories

- Plugs CONH1A.. serie, please refer to "Accessories".

## Delivery Contents

- Inductive switch: EI 551. ....
- **Packaging:** plastic bag

## X-ON Electronics

Largest Supplier of Electrical and Electronic Components

*Click to view similar products for [Proximity Sensors](#) category:*

*Click to view products by [Carlo Gavazzi](#) manufacturer:*

Other Similar products are found below :

[01.001.5653.1](#) [70.340.1028.0](#) [70.360.2428.0](#) [70.364.4828.0](#) [70.810.1053.0](#) [72.360.1628.0](#) [73.363.6428.0](#) [9221350022](#) [980659-1](#) [QT-12](#)  
[E2EX10D1NN](#) [E2E-X14MD1-G](#) [E2E-X2D1-G](#) [E2EX2ME2N](#) [E2E-X3D1-N](#) [10M](#) [E2E-X4MD1-G](#) [E2FMX1R5D12M](#) [E2K-F10MC1](#) [5M](#)  
[EI1204TBOSL-6](#) [EI5515NPAP](#) [BSA-08-25-08](#) [IC08ANC15PO-K](#) [IMM2582C](#) [25.161.3253.0](#) [25.332.0653.1](#) [25.352.0653.0](#) [25.352.0753.0](#)  
[25.523.3253.0](#) [9151710023](#) [922FS1.5C-A4P-Z774](#) [SC606ABV0S30](#) [SM952A126100LE](#) [A1220EUA-T](#) [F3S-A162-U](#) [CL18](#) [QT-08L](#)  
[34.110.0010.0](#) [TL-C2MF1-M3-E4](#) [IMM32188C](#) [IS2](#) [IS31SE5000-UTLS2-TR](#) [34.110.0021.0](#) [34.110.0022.0](#) [CA150-120VACDC](#)  
[VM18VA3000Q](#) [XS508BSCBL2](#) [XS512BLNAM12](#) [XS512BLNBL2](#) [XS512BLPAL5](#) [XS518B1MBU20](#)