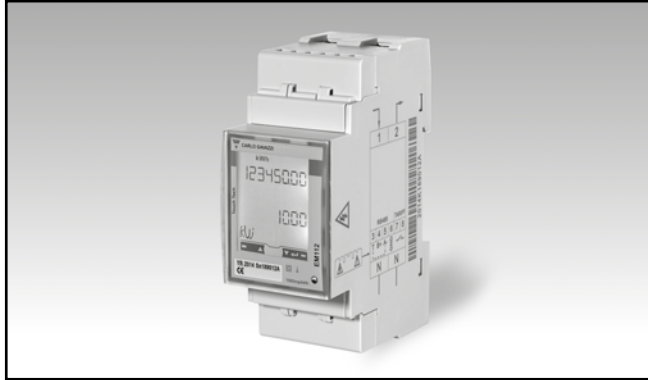


Energy Management Energy Analyzer Type EM112

CARLO GAVAZZI



- Single phase energy analyzer
- Class 1 (kWh) according to EN62053-21
- Class B (kWh) according to EN50470-3
- Accuracy $\pm 0.5\%$ RDG (current/voltage)
- Direct current measurement up to 100AAC
- Backlit LCD display (3x 8-digit) with integrated touch key-pad
- Energy readout on display: 8 digit
- Variable readout on display: 4 digit
- Energy measurement: kWh and kvarh (imported/exported); kWh+ by 2 tariffs
- System variables, kW, kvar, V, A, PF, Hz, kWdmd, kWdmd peak
- Self power supply
- Dimensions: 2-DIN module
- Protection degree (front): IP51
- Pulse output (optional, by open collector PNP)
- RS485 Modbus port (optional)
- M-bus port (optional)
- Digital input (for tariff management)
- Easy connection or wrong current direction detection
- Certified according to MID Directive (option PF only): see "how to order" below

Product description

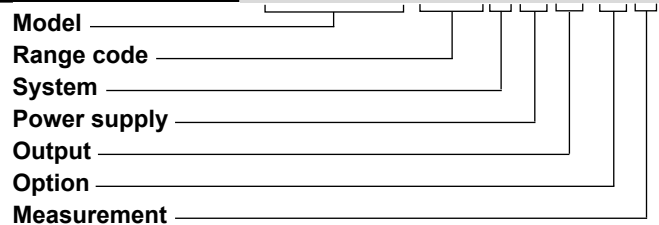
Single-phase energy analyzer with backlit LCD display with integrated touch keypad. Particularly indicated for active energy metering and for cost allocation in applications up to 100 A (direct connection), with dual tariff management availability. It can measure imported and exported energy or be programmed to consider only

the imported one. Housing for DIN-rail mounting, with IP51 front degree protection. The analyzer is optionally provided with pulse output proportional to the active

energy being measured, RS485 Modbus port or M-bus port.

MID Certified according to MID Directive, Module B and Module D of Annex II, for legal metrology relevant to active electrical energy meters (see Annex V, MI003, of MID). Can be used for fiscal (legal) metrology.

How to order EM112-DIN AV0 1 X 01 PF B



Type Selection

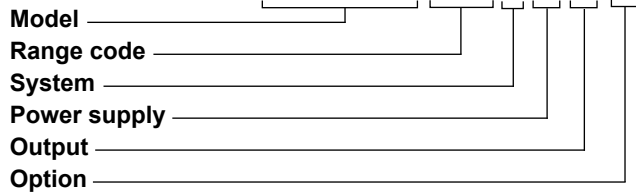
Range code	System	Power supply	Output
AV0: 230VLN AC - 5(100)A (Direct connection)	1: 1-phase 2-wire	X: Self power supply -30% +20% of the rated measuring input voltage, 50Hz	O1: pulse output S1: RS485 Modbus port M1: M-bus port
AV1: 120VLN AC - 5(100)A (Direct connection)			
Option	Measurement		
PF: Certified according to MID Directive. Can be used for fiscal (legal) metrology.	A: The power is always integrated (both in case of positive imported and negative exported power) and the total energy meter is certified according to MID. B: Only the total positive energy meter is certified according to MID.		



STANDARD

Not certified according to MID Directive. Cannot be used for fiscal (legal) metrology.

How to order **EM112-DIN AV0 1 X O1 X**



Type Selection

Range code	System	Power supply	Output
AV0: 230VLN AC - 5(100)A (Direct connection)	1: 1-phase 2-wire	X: Self power supply -30% +20% of the rated measuring input voltage, 45 to 65Hz	O1: pulse output S1: RS485 Modbus port M1: M-bus port
AV1: 120VLN AC - 5(100)A (Direct connection)			

Option

X: none

Input specifications

Rated Inputs		Memory energy storage	
Current type	1-phase loads, direct connection	Energy	10 ¹⁰ cycles. Energy value is saved every time the less significant digit increases.
Current range	5(100)A	Programming parameters	10 ¹⁰ cycles. When a parameter is modified, only the relevant memory cell is overwritten
Nominal voltage	230VLN AC (AV0 option), 120 VLN (AV1 option)		
Accuracy (@25°C ±5°C, R.H. ≤60%, 45 to 65 Hz)		LEDs	Flashing red light pulses according to EN50470-3, EN62052-11, 1000 imp./kWh (min. period: 90ms, max. frequency: 11 Hz) Fix orange light: wrong current direction (only with PFB option or with "B" measurement selection in case of X option)
AV1	I _{min} =0.25A; I _b : 5A, I _{max} : 100A; U _n : 120VLN -30% +30%		
AV0	I _{min} =0.25A; I _b : 5A, I _{max} : 100A; U _n : 230VLN -30% +20%		
Energies			
Active energy	Class 1 according to EN62053-21 Class B (kWh) according to EN50470-3	Current overloads	
Reactive energy	Class 2 according to EN62053-23	Continuous	100A, @ 50Hz
Start-up current:	40mA (AV0, AV1), positive or negative Self-consumption is not measured.	For 10ms	3000 A
Start-up voltage	84VLN (AV1), 161VLN (AV0)	Voltage Overloads	
		Continuous	1.2 U _n
		For 500ms	2 U _n
Resolution	Display/serial communication	Input impedance	
Current	0.1/0.001 A	Voltage input 230VL-N	1.2Mohm
Voltage	0.1/0.1 V	Voltage input 120VL-N	1.2Mohm
Power	0.01 kW or kVar/ 0.1 kW or kvar	Current inputs: 5(100) A	< 1.25VA
Frequency	0.1 Hz/0.1Hz		
PF	0.01/ 0.001		
Energies (positive)	0.01 kWh or kvarh / 0.1 kWh or kvarh		
Energies (negative)	0.01 kWh or kvarh / 0.1 kWh or kvarh		
Energy additional errors			
Influence quantities	According to EN62053-21		
Temperature drift	≤200ppm/°C		
Sampling rate	4096 samples/s @ 50Hz 4096 samples/s @ 60Hz		
Display and touch key-pad			
Type	Backlit LCD, 3 rows by 8-digit each, h 5 mm		
Read-out	Energy: 8 digit. Variables: 4 digit		
Touch key	2 (Enter/DOWN and UP).		
Max. and Min. indication			
Energies	Max. 99 999 999 Min. 0.01		
Variables	Max. 9999 Min. 0.01		

Digital input specifications

Digital inputs	Free of voltage contact	Overload	In case a voltage is erroneously applied to the digital input, the input is not damaged up to 30 V ac/dc.
Function	Tariff management (switch between 7-8)		
Number of inputs	1		
Contact measurement voltage	5 V		
Contact impedance	≤ 1kohm		
Contact resistance	≥ 1kohm, close contact 100kohm, open contact		

Output specifications

RS485 serial port	RS485 by screw connection.	Other	Available functions: wild card, header, initialisation SND_NKE, and req_udr management. Management of primary address modification via M-bus. VIF, VIFE, DIF and DIFE: see protocol
Function	For communication of measured data, programming parameters		
Protocol	Modbus RTU (slave function)		
Baud rate	9.6, 19.2, 38.4, 57.6, 115.2 kbaud, even or no parity,		
Address	1 to 247 (default: 1)		
Driver input capability	1/8 unit load. Maximum 247 transceivers on the same bus.	Static output	
		Purpose	For pulse output proportional to the active energy (kWh)
Data refresh time	1s	Pulse rate	Selectable in multiple of 100
Read command	50 words available in 1 read command		Max 500 or 2000 pulses/kWh according to pulse ON duration
Rx/Tx indication	Rx segment on display is shown when a valid Modbus command is sent to that specific meter; Tx segment on display is shown when a valid Modbus reply is sent back to the master	Pulse ON duration	Selectable: 30ms or 100 ms according to EN62052-31
M-bus port	M-bus by screw connection.	Output type	open collector PNP
Function	For communication of measured data	Load	V_{ON} 1 V dc max. 100mA V_{OFF} 80 V dc max.
Protocol	M-bus according to EN13757-3		
Baud rate	0.3, 2.4, 9.6 kbaud		
Meters in the M-bus network	250		
Primary address	Selectable		
Secondary address	Univocally defined in each unit		
Secondary address range	from 7000 0000 to 7999 9999		

General specifications

Operating temperature	-25 to +65 °C, indoor, (R.H. from 0 to 90% non- condensing @ 40°C)	Housing	
Storage temperature	-30°C to +80°C (R.H. < 90% non-condensing @ 40°C)	Dimensions (WxHxD)	35 x 63 x 90 mm
Overvoltage category	Cat. III	Material	PTB, self-extinguishing: UL 94 V-0
Insulation (for 1 minute)	4000 VAC RMS between measuring inputs and digital/serial output (see table) 4000 VAC RMS	Sealing covers	Included
Dielectric strength	4000 VAC RMS for 1 minute	Mounting	DIN-rail
EMC	According to EN62052-11	Protection degree	
Standard compliance		Front	IP51
Safety	EN62052-11	Screw terminals (cable inputs)	IP20
Metrology	EN62053-21, EN50470-3	Weight	Approx. 160 g (packing included)
Approvals	CE, MID (PF option only), UL (AV1 model only)		
Connections			
Cable cross-section area	Measuring inputs: max. 25 mm ² , min. 5 mm ² with/ without metallic cable ferrule; Max. screw tightening torque: 2.8 Nm		
Other terminals	1.5 mm ² , Min./Max. screws tightening torque: 0.5 Nm		

Power supply specifications

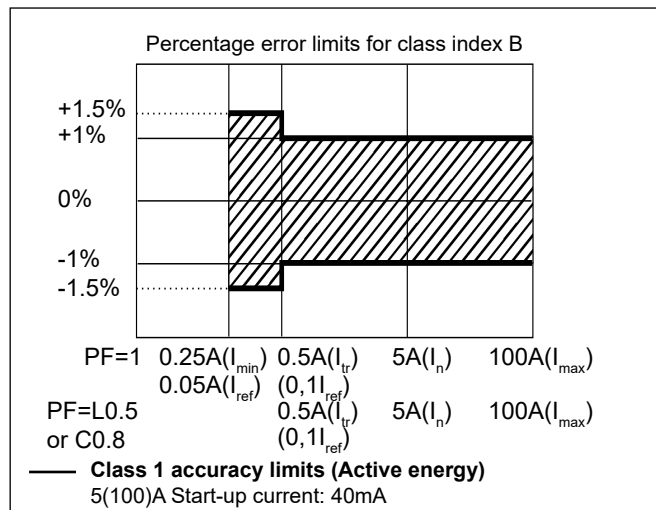
Self power supply		Power consumption	≤ 1W, ≤ 8VA
AV0	230VAC VL-N, -30% +20% 45-65Hz		
AV1	120VAC VL-N, -30% +30% 45-65Hz		

Insulation (for 1 minute) between inputs and outputs

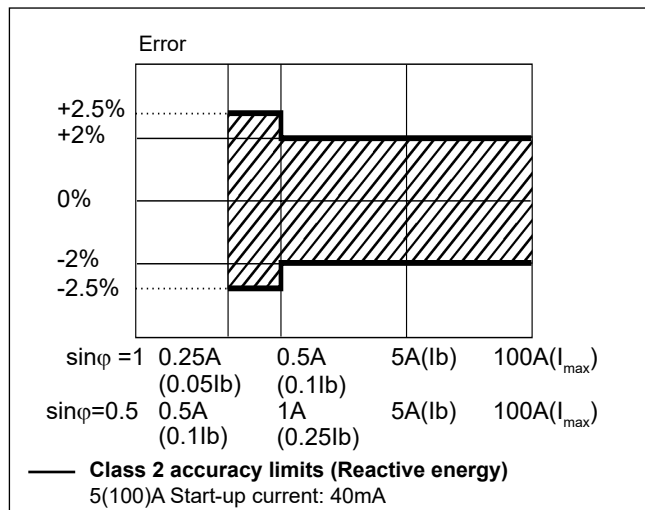
	Measuring input	Digital or serial output	Digital input
Measuring input	-	4 kV	4 kV
Digital or serial output	4 kV	-	0 kV
Digital input	4 kV	0 kV	-

Accuracy (according to EN50470-3 and EN62053-23)

kWh, accuracy (RDG) depending on the current



kvarh, accuracy (RDG) depending on the current



MID compliance (PF option only)

Accuracy	0.9 Un ≤ U ≤ 1.1 Un; 0.98 fn ≤ f ≤ 1.02 fn; fn: 50 Hz; cosφ: 0.5 inductive to 0.8 capacitive. Class B Considering listed Ib or In values
Operating temperature	-25 to +55°C (-13°F to 131°F) (R.H. from 0 to 90% non-condensing @ 40°C)
EMC compliance	E2
Mechanical compliance	M2

Display pages

No	1 st row	2 nd row	3 rd row	"Full" mode	"Easy" mode	Note
0	kWh+ (imported)		kW	X	X	In PF version (MID) this is the only certified energy meter. In PFA version and in X version with Measurement menu set to "A", this is considering the total energy without considering the current direction.
1	kWh- (exported)		kW	X	X	In PFB version and in X version with Measurement menu set to "B"
2	kWh+ (imported)		V	X	X	
3	kWh+ (imported)		A	X	X	
4	kWh+ (imported)		PF	X		
5	kWh+ (imported)		Hz	X		
6	kvarh+ (imported)		kvar	X		In PFA version and in X version with Measurement menu set to "A", this is considering the total positive reactive energy without considering the current direction.
7	kvarh- (exported)		kvar	X		In PFB version and in X version with Measurement menu set to "B"
8	kWh+ (imported)	kWdmd peak	kWdmd	X		
9	kWh (t1)	"t1"	kW	X		Only relevant to kWh+, with Tariff menu set to ON.
10	kWh (t2)	"t2"	kW	X		Only relevant to kWh+, with Tariff menu set to ON.

X= available

List of available menus

Menu name and description		Range	Default setting
PASS	Password request	From 0000 to 9999	0000
nPASS	New password	From 0000 to 9999	0000
Measure	Measurement type (A=easy connection; B=bidirectional, imported and exported energy). Not available in PFA and PFB versions (MID)	A; b	A
P int	Integration time for Wdmd calculation	1 to 30 min	1
Mode	Selection of complete or simplified set of variables on display	Full or Easy	Full
Tariff	Tariff enabling	Yes/No	No
Home	Home page selection (default page at power-on and after 120 s time-out from other pages). Not available in PFA and PFB versions (MID).	0 to 9	0
PULSE (O1 option)	Selection of pulse ON duration	30 or 100 ms	30
	Selection of the pulse weight (multiples of 100 pulses/kWh)	100 to 500 (if duration is 100ms) 100 to 2000 (if 30 ms)	100
Address (S1 option)	Modbus serial address	1 to 247	01
Kbaud (S1)	Modbus baud rate	9.6; 19.2; 38.4; 57.6, 115.2 kbps	9.6
ParlY (S1)	Modbus parity	No/even	No
PrI Add (M1 option)	M-bus primary address	1 to 250	0
Kbaud (M1)	M-bus baud rate	0.3; 2.4; 9.6 kbps	2.4
RESET	Allow the reset of tariff meters and W dmd peak (kWh/kvarh meter reset available only via serial communication)	Yes/No	No
End	Exit to measuring mode		

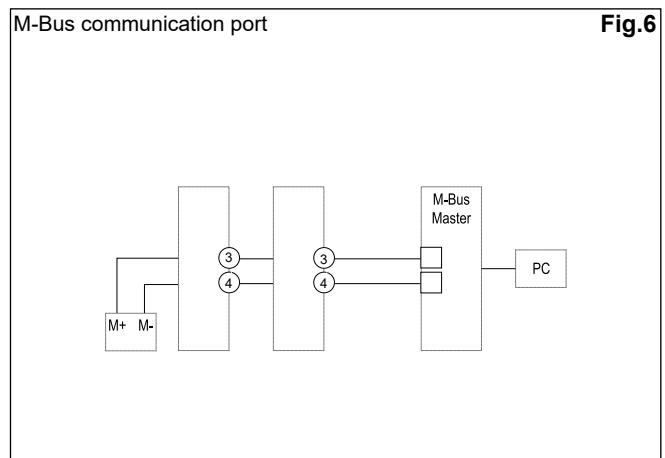
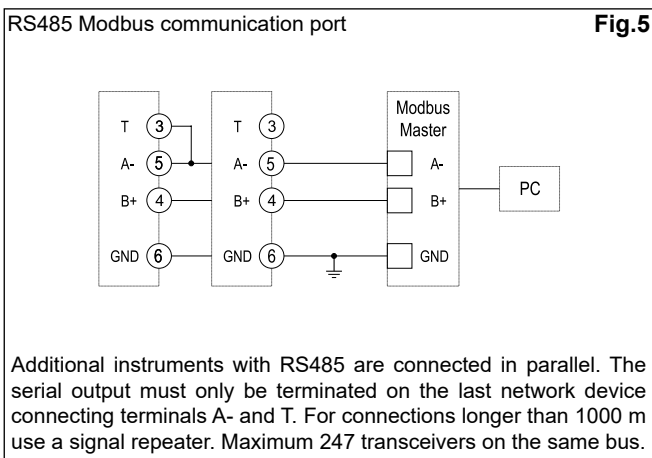
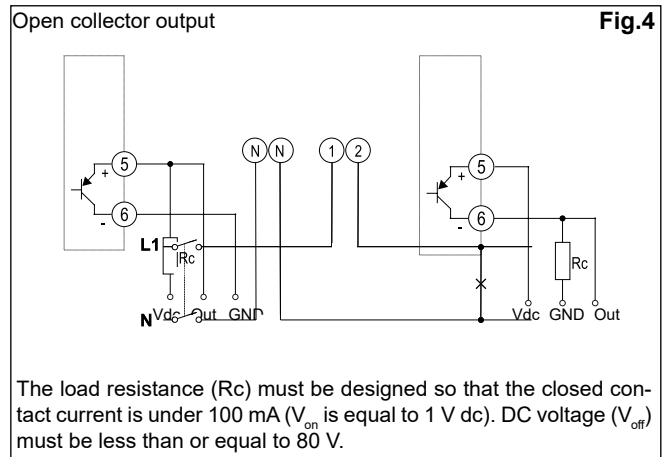
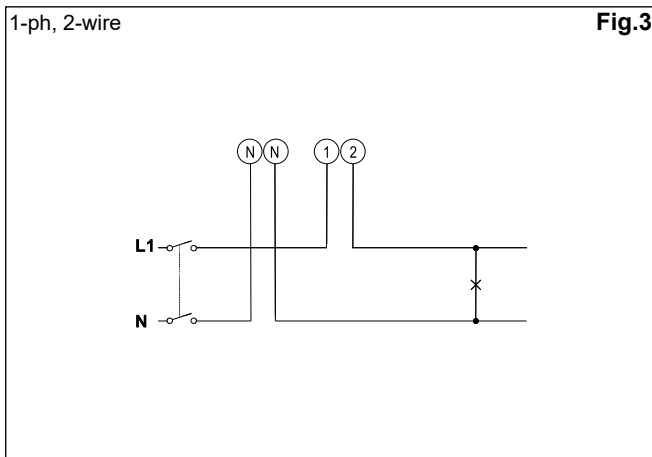
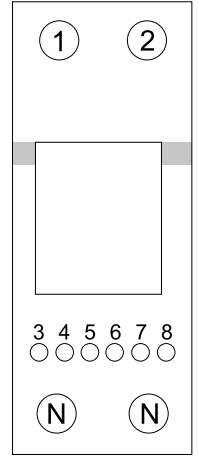
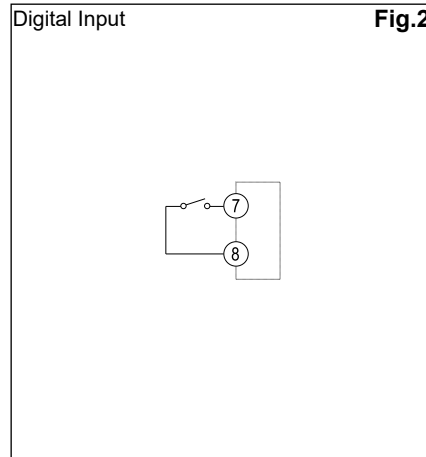
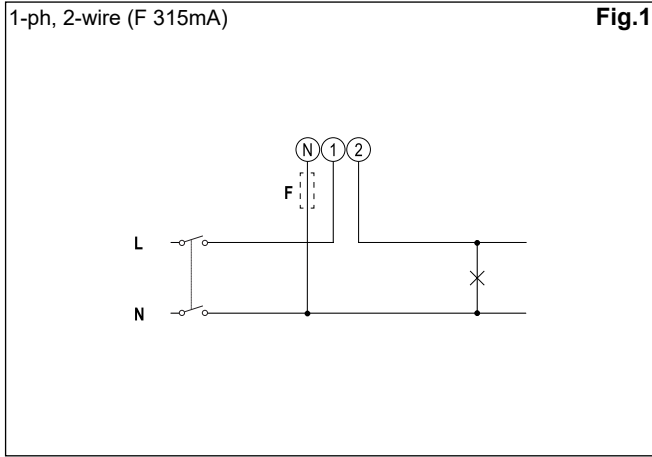
Note: after the confirmation of a new parameter value, the value is stored in the memory without the need to exit the programming mode.

Additional available information on the display (*)

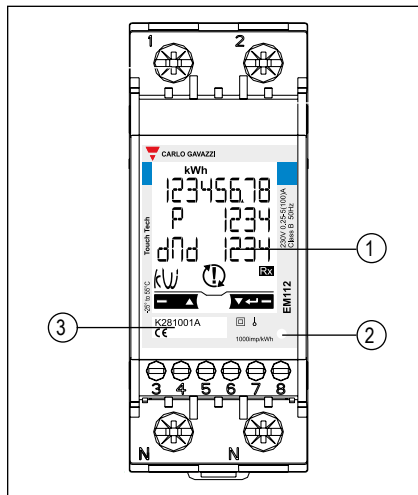
Page	Code	Description
YEAr	InFO 1	Year of manufacture
SErIAL n	InFO 2	Serial number, corresponds to the one indicated on the front print
rEVIStion	InFO 3	Firmware revision – XY.nn:
PuLS Led	InFO 4	Front LED pulse weight
MEASurE	P3	Measurement type (only X option)
P int	P4	Requested average power calculation interval
ModE	P5	Display mode
tArIFF	P6	Enabling tariff management and any current tariff
HoME	P7	Measurement page set as home page (only X option)
Pages specific to the S1 version		
AddrESS	P10	Modbus address
bAUd	P11	Baud rate
PArITY	P12	Parity
StoP bit	P12–2	Stop bit
Pages specific to the O1 version		
PULSE	P8	Duration
PuL rAtE	P8–2	Pulse weight
Pages specific to the M1 version		
Pr I Add	P9	M-Bus primary address
bAUd	P11	Baud rate
SEC Add	InFO 5	M-Bus secondary address, univocal and set during production

(*) can be reached by pressing simultaneously the 2 touch keys

Wiring diagrams

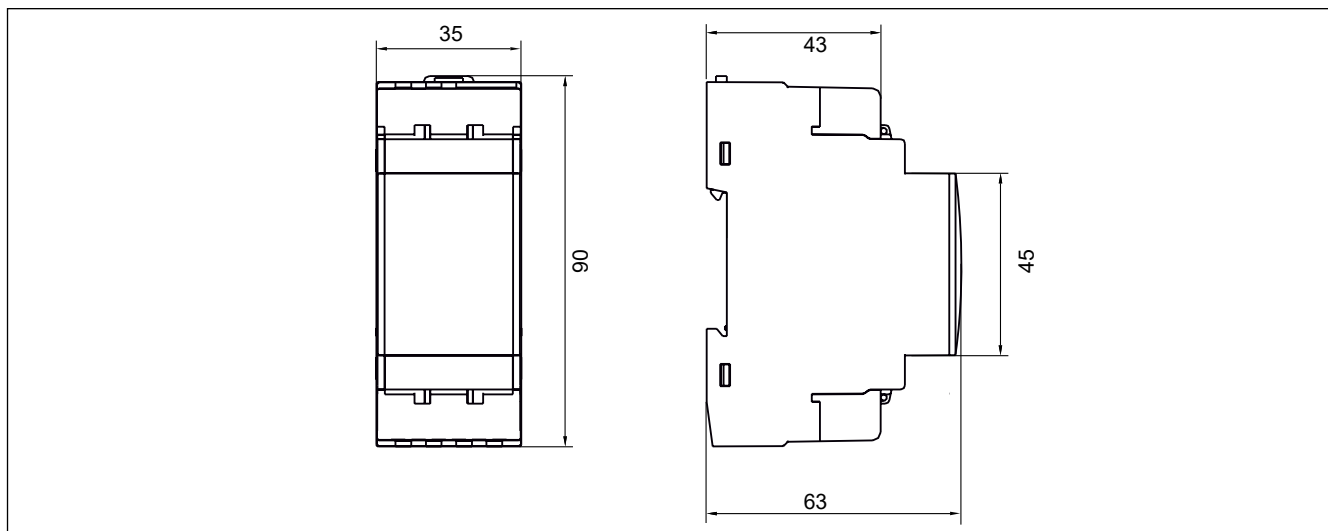


Front panel description



1. **Display**
Backlit LCD display with touch key-pad.
Right key: enter, down
Left key: up
2. **LED**
LED proportional to kWh reading
3. **Serial number and MID data**
Area reserved to serial number and MID-relevant data in PF versions

Dimensions (mm)



X-ON Electronics

Largest Supplier of Electrical and Electronic Components

Click to view similar products for [Digital Panel Meters](#) category:

Click to view products by [Carlo Gavazzi](#) manufacturer:

Other Similar products are found below :

[M00558-00](#) [01.098.1658.1](#) [70.360.4828.0](#) [72331-00](#) [85310-25](#) [86642-00](#) [87268-13](#) [87316-00](#) [87719-26](#) [98107-56](#) [HB8260-R36-90](#) [DMS-20ACV-3-R-C](#) [EM11DINAV81XR1X](#) [25.325.3253.1](#) [25.325.4253.1](#) [25.330.0453.1](#) [20046-20](#) [20182-23](#) [AP1021](#) [25.320.5053.0](#)
[25.350.3453.1](#) [25.394.3653.1](#) [25.521.3253.0](#) [28006-01](#) [04.630.1080.0](#) [20078-20](#) [EM11DINAV81XO1X](#) [85874-26](#) [87166-00](#) [87895-00](#)
[28000-03](#) [K3GN-NDT1-FLK 24VDC](#) [82322K-11](#) [86641-00](#) [87004-00](#) [HB8280R2490](#) [HB8260R4890](#) [SCE016MD3MV0W10](#) [20125-21](#)
[86640-00](#) [PG-100-103GP](#) [PG-100-102RP](#) [PG-100B-102R-H](#) [PG-100B-103R](#) [PG-100B-102R](#) [PG-100N-103R-W](#) [PG-100N-103R](#) [PG-100N-102R](#) [PG-100-102GH](#) [PG-100-103RP](#)