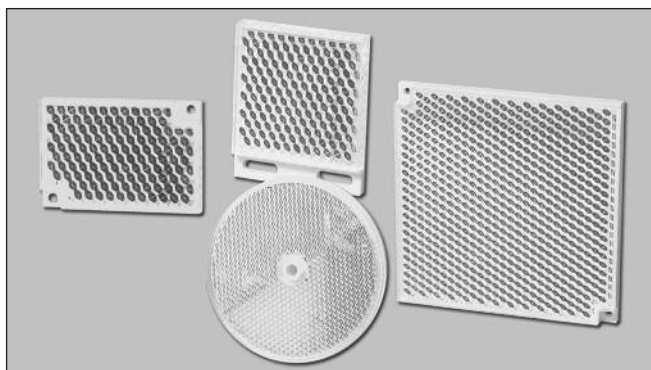


# Photoelectrics Accessories Reflectors Type ER



- High quality reflectors for retro-reflective photoelectric switches
- Reflective tape suitable for polarized light
- Heated reflectors for cold storage or freezer installations
- All catalogued photoelectrics use ER 4 as reference for applicable sensing distance

## Type Selection

Size W x H x D	Mounting <sup>1)</sup>	Ordering no.	Reduction factors on distance
51.0 x 17.5 x 6.0	Adhesive	<b>ER 1</b>	0.20
60.0 x 41.0 x 8.0	2 x M3 screws	<b>ER 4060</b>	0.81
80.0 x 54.0 x 8.0	Adhesive	<b>ER 5080</b>	0.60
82.0 x 37.0 x 5.5	Adhesive	<b>ER 8</b>	0.51
186.0 x 46.5 x 8.0	2 x M6 screws	<b>ER 42182</b>	0.65
100.0 x 100.0 x 9.2	2 x M3 screws	<b>ER 100</b>	1.20
84.5 x 84.5 x 9.0	2 x M3 screws	<b>ER 840</b>	0.96
51.5 x 61.0 x 8.0	2 x M4 screws	<b>ER 5060</b>	0.80
23.5 x 47.5 x 8.0	2 x M3.5 screws	<b>ER 390</b>	0.39
32.5 x 65.0 x 8.0	2 x M3.5 screws	<b>ER 483</b>	0.55
19.0 x 72.5 x 8.4	2 x M3.5 screws	<b>ER 530</b>	0.45
55.3 x 126.0 x 9.0	2 x M6 screws	<b>ER 686</b>	0.92
18.5 x 120.0 x 6.5	2 x M4 screws	<b>ER 665</b>	0.45
13.0 x 17.0 x 5.0	Adhesive	<b>ER 640</b>	0.16
52.0 x 119.0 x 27.0	4 x M4 screws	<b>ER 681 <sup>2)</sup></b>	0.92
Ø 35.0 x 5.5	Adhesive	<b>ER 692</b>	0.53
Ø 84.0 x 7.4	1 x M4 screw	<b>ER 4</b>	1.00
Ø 25.0 x 5.0	Adhesive	<b>ER 689</b>	0.39
Ø 42.0 x 6.0	Adhesive	<b>ER 420</b>	0.54
Ø 42.0 x 60.0 x 6.8	2 x M3.5 screws	<b>ER 423</b>	0.54
Ø 46.0 x 6.5	Adhesive	<b>ER 460</b>	0.55
<b>Reflective tape</b>			
25 mm wide x 45.7 meters long (1 roll)		<b>ERT 25</b>	0.23 (25 x25 mm)
50 mm wide x 45.7 meters long (1 roll)		<b>ERT 50</b>	0.34 (50 x 50 mm)

<sup>1)</sup> Mounting material not included

<sup>2)</sup> (internal heating)

### Reflectors

Material: PMMA/ABS

Temperature range: -20 to +60 degree C

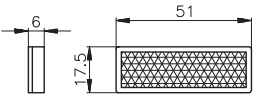
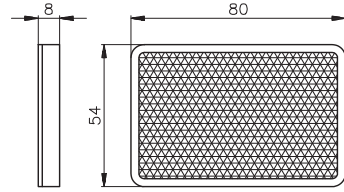
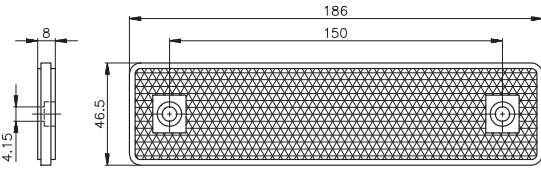
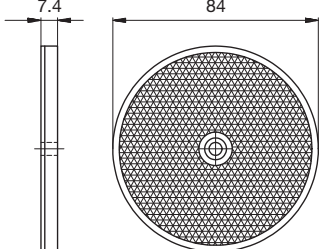
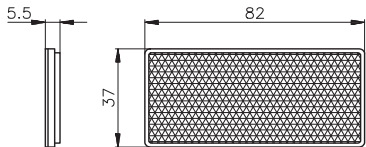
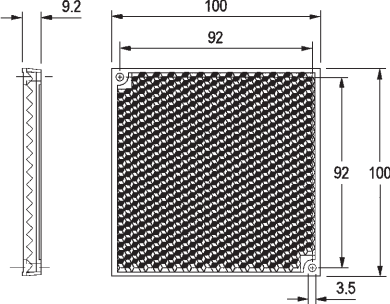
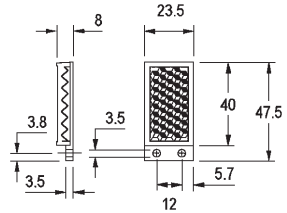
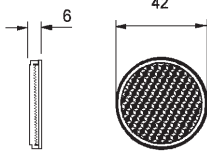
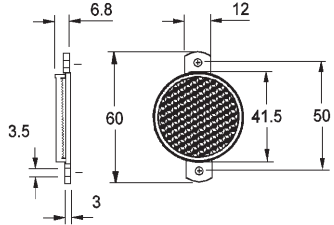
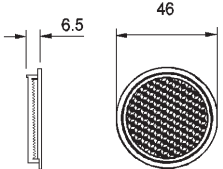
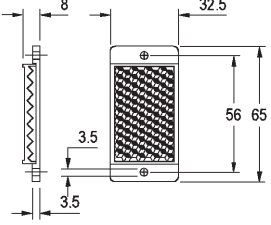
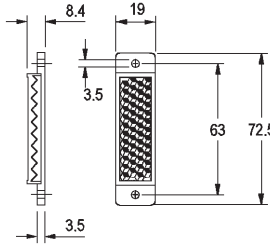
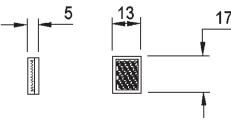
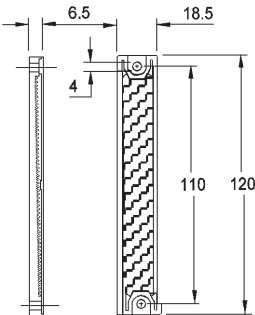
Degree of protection: IP69K

### Reflective tape

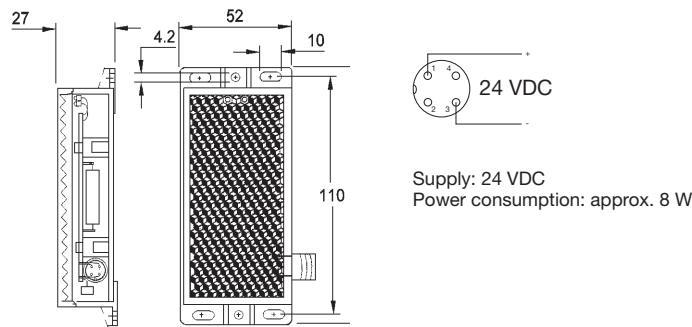
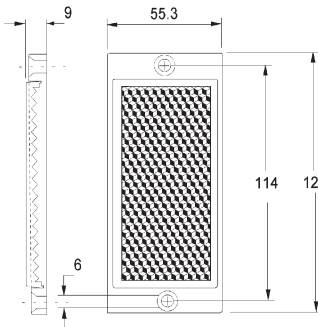
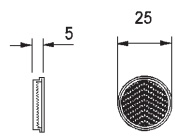
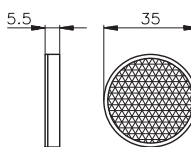
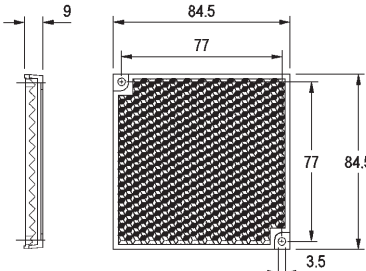
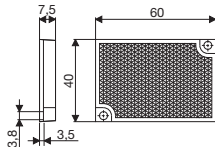
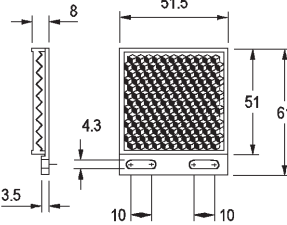
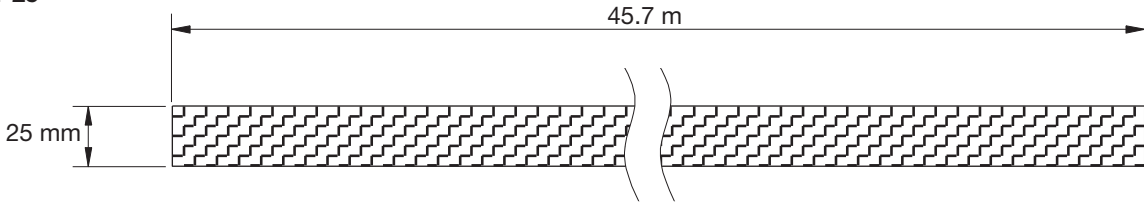
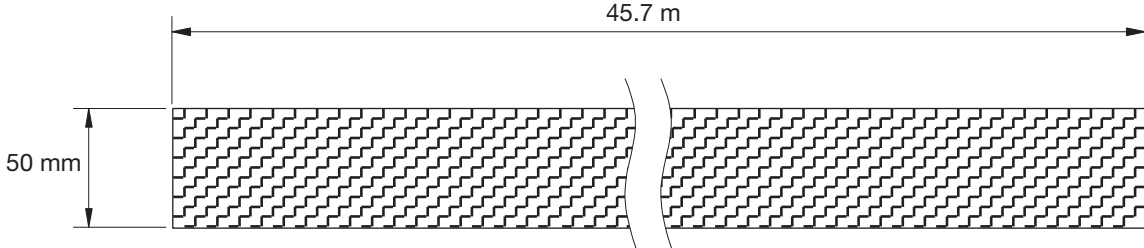
Material: PMMA (Acrylic)

Temperature range: -20 to +50 degree C

## Dimensions

<p><b>ER 1</b></p> 	<p><b>ER 5080</b></p> 	<p><b>ER 42182</b></p> 
<p><b>ER 4</b></p> 		<p><b>ER 8</b></p> 
<p><b>ER 100</b></p> 	<p><b>ER 390</b></p> 	<p><b>ER 420</b></p> 
<p><b>ER 423</b></p> 	<p><b>ER 460</b></p> 	<p><b>ER 483</b></p> 
<p><b>ER 530</b></p> 	<p><b>ER 640</b></p> 	<p><b>ER 665</b></p> 

## Dimensions (cont.)

<p><b>ER 681</b></p>  <p>24 VDC</p> <p>Supply: 24 VDC Power consumption: approx. 8 W</p>	<p><b>ER 686</b></p> 	
<p><b>ER 689</b></p> 	<p><b>ER 692</b></p> 	<p><b>ER 840</b></p> 
<p><b>ER 4060</b></p> 	<p><b>ER 5060</b></p> 	
<p><b>ERT 25</b></p>  <p>25 mm</p> <p>45.7 m</p>		
<p><b>ERT 50</b></p>  <p>50 mm</p> <p>45.7 m</p>		

## X-ON Electronics

Largest Supplier of Electrical and Electronic Components

*Click to view similar products for [Sensor Fixings & Accessories](#) category:*

*Click to view products by [Carlo Gavazzi](#) manufacturer:*

Other Similar products are found below :

[F03-01 SUS304 BINIL](#) [8000-5130](#) [FH-AP1](#) [PH-1-10M](#) [PH-1-20M](#) [PH-2-30M](#) [AC201](#) [R4](#) [ADI-LC3S](#) [EC18-WELL](#) [PBT420-100R](#) [PC-15015](#) [K35-4](#) [A-1923](#) [SS-12143](#) [STA12](#) [AP4-T](#) [PH-1-50M](#) [R6](#) [D01051301](#) [43912557-020](#) [MF-1 D=3.2](#) [BGN-035](#) [E39-L7](#) [ZX-SB11](#)  
[D01070602](#) [606072](#) [606075](#) [Y92ES12PVC4A10ML](#) [Y92ES12PVC4S5ML](#) [SA9Z-F11](#) [Z49-SF1](#) [ZFV-XMF2](#) [E4R-R12A-CS3M010](#) [28810-2](#)  
[ZX-SW11E V3](#) [CCS-PL-LDR2-70](#) [E4R-R12A-CS3M020](#) [BS-1T CHITAN](#) [F03-01 CHITAN](#) [CCS-PD2-1012](#) [ZX-SFW11E V3](#) [PH-2-90M](#)  
[PH-2-5M](#) [XMLZL008](#) [AC244](#) [28810-1](#) [PH-1-40M](#) [SS-12225](#) [32043-500](#)