

Timers

Delay on Operate

Types FAA01, FAA08

CARLO GAVAZZI



- Time range 0.05 s to 300 h
- Knob selection of time range
- Knob adjustable time setting
- Knob selection of operating mode (4 functions):
 - Op - delay on operate
 - R - symmetrical recycler ON first
 - In - interval
 - Sh - one shot
- Automatic start
- Repeatability: $\pm 0.2\%$ on full scale
- Output: 8 A DPDT relay
- 48 x 48 mm housing for front panel mounting
- 8 or 11 pin socket
- LED indication for relay status and power supply ON

Product Description

Delay on operate timer with 4 functions and selectable time ranges from 0.05 seconds to 300 hours. Housing 48 x 48 mm for front panel mounting and on 8-pin or 11-pin socket.

Ordering Key

FAA 01 D W24

Housing _____
 Function _____
 Type _____
 Item number _____
 Output _____
 Power supply _____

Type Selection

Mounting	Output	Plug	Supply: 12 to 240 VAC/DC
Front or socket	DPDT	11-pin	FAA01DW24
Front or socket	DPDT	8-pin	FAA08DW24

Time Specifications

Time ranges Knob selectable	Full scale 12	0.02 to 1.2s	Setting accuracy	$\pm 5\%$ on full scale ± 50 ms
		0.2 to 12s		Repeatability
		2 to 120s	Time variation	$\leq 0.05\%$ /V $\leq 0.2\%$ /°C
		0.2 to 12min		
		2 to 120min	Note When the time knob is below "0" the output activates instantaneously	
		0.2 to 12h		
		2 to 120h		
		Full scale 30		0.05 to 3s
		0.5 to 30s		
		5 to 300s		
		0.5 to 30min		
		5 to 300min		
0.5 to 30h				
5 to 300h				

Output Specifications

Output	DPDT relay	Electrical life	$\geq 10^5$ operations (at 8 A, 250 V, $\cos \varphi = 1$)
Rated insulation voltage	250 VAC		Operating frequency
Contact ratings (AgSnO ₂)	μ	Dielectric strength	≥ 2 kVAC (rms) 4 kV (1.2/50 μ s)
Resistive loads	AC 1 DC 12		
Small inductive loads	AC 15 DC 13	Rated impulse withstand volt.	
Mechanical life	$\geq 30 \times 10^6$ operations		



Supply Specifications

Power Supply		Overvoltage cat II (IEC 60947-1)
Rated operational voltage through terminals: (FAA01DW24)	2, 10	12 to 240 VDC + 10% - 15% 12 to 240 VAC + 10% - 15%, 45 to 65 Hz
(FAA08DW24)	2, 7	12 to 240 VDC + 10% - 15% 12 to 240 VAC + 10% - 15%, 45 to 65 Hz
Power consumption		
Rated operational power		
	AC	3 VA
	DC	1.5 W

General Specifications

Indication for	
Power supply On	LED, green
Output ON	LED, yellow (flashing when timing)
Environment	
Degree of protection	IP 50 (front panel)
Operating temperature	-10 to +55 °C, R.H. < 85%
Storage temperature	-10 to +55 °C, R.H. < 85%
Housing	
Dimensions	48 x 48 mm
Material	PA66
Weight	Approx. 95 g
Approvals	UL, CSA
CE marking	Yes
EMC	
Immunity	Electromagnetic Compatibility According to EN 61000-6-2
Emission	According to EN 61000-6-3
Timer specifications	According to EN 61812-1

Mode of Operation

Function Op

Delay on operate

The set delay period begins as soon as the power supply is connected. At the end of the set delay the relay operates and doesn't release until the power supply is interrupted for at least 100 ms.

Function R

Symmetrical recycler (ON first)

The relay operates and the time period start as soon as the power is applied. At the end of the first set time period, the relay releases. At the end of the second time period (equal to the first), the relay operates again. This sequence continues with equal ON- and OFF- time periods until the power supply is interrupted for at least 100 ms.

Function In

Interval

The relay operates and the time period begins as soon as the power is applied. The relay releases at the end of the time period or when the power supply is disconnected for at least 100 ms.

Function Sh

One shot

The time period begins as soon as the power supply is connected and at the end of this period the relay operates for 1s.

Function and Time Setting

Lower left knob:

Setting of function

Op - delay on operate

R - simmetrical recycler

In - interval

Sh - one shot

Lower right knob:

Time unit selector

0.1sec (0.1 seconds)

sec (seconds)

10sec (10 seconds)

min (minutes)

10m (10 minutes)

hrs (hours)

10h (10 hours)

Upper right knob:

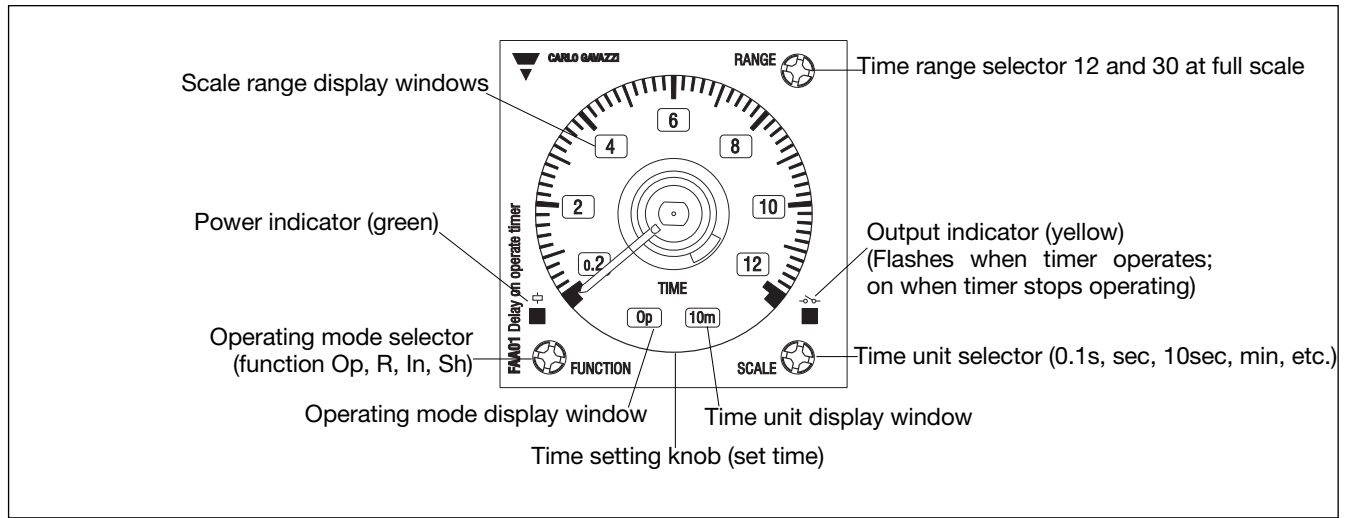
Time range selector

12 or **30**

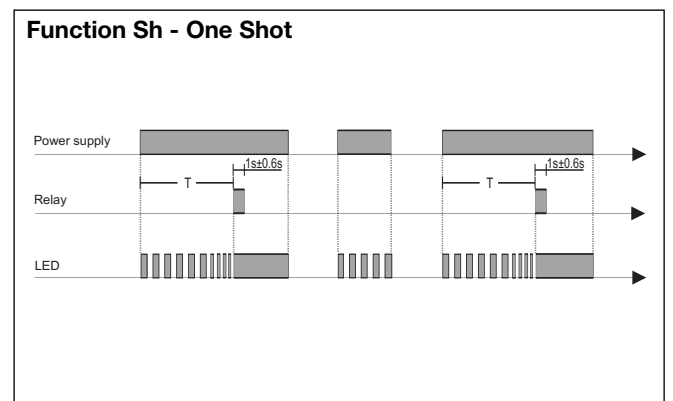
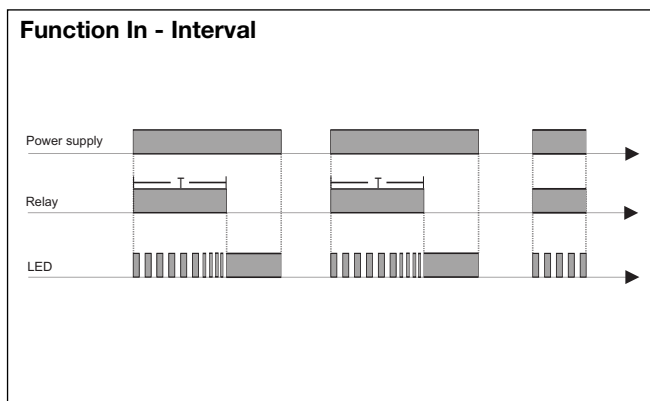
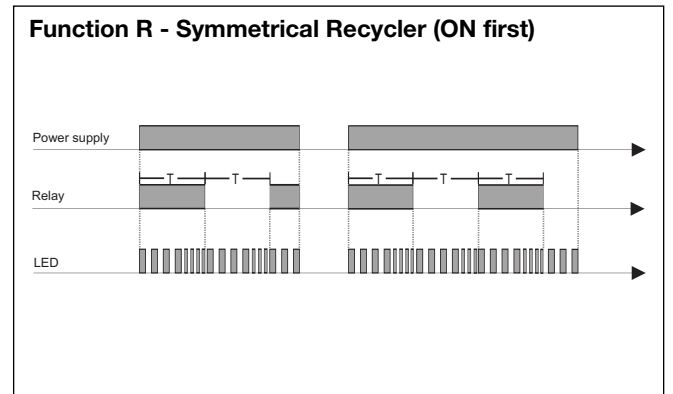
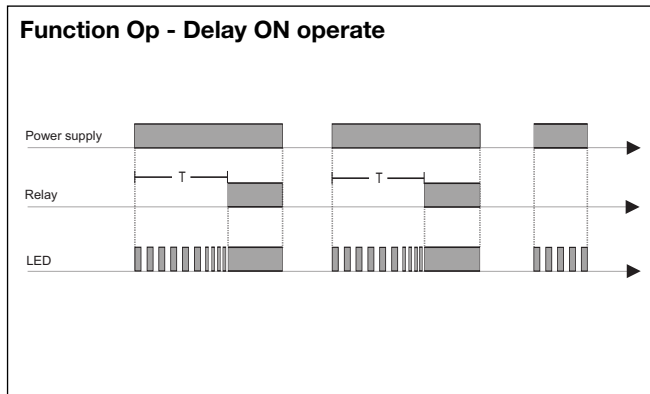
Centre knob:

Time setting on absolute scale

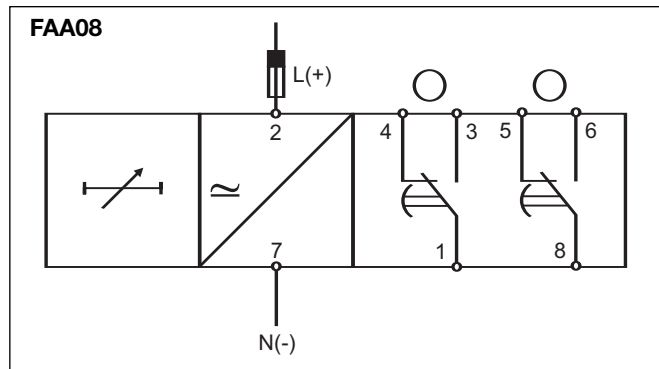
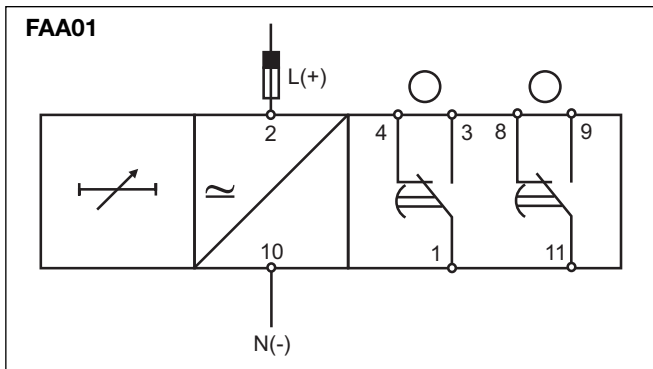
Range and operation mode selection



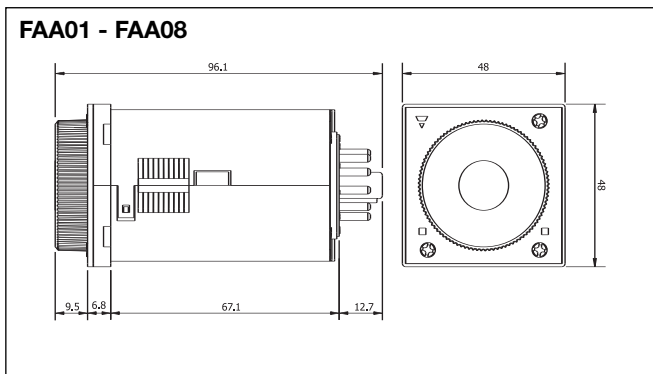
Operating Diagrams



Wiring Diagrams



Dimensions



X-ON Electronics

Largest Supplier of Electrical and Electronic Components

Click to view similar products for [Time Delay & Timing Relays](#) category:

Click to view products by [Carlo Gavazzi](#) manufacturer:

Other Similar products are found below :

[7012GD](#) [7012L10BN](#) [7012L10DY1N](#) [7012L10FN](#) [7012L10HN](#) [7012L26K](#) [7012L8AI2LLSN](#) [7012L8BN](#) [7012L8KN](#) [7012OBILM](#)
[7012OIT](#) [7012PALL](#) [7012PDM](#) [7012PFX](#) [7022L10DN](#) [7022L8BN](#) [7022L8EN](#) [7022L8HN](#) [7022X3D](#) [7024NB](#) [7024SCT](#) [88256455](#) [H3BG-](#)
[N8H](#) [AC110V](#) [H3CRF8AC2448DC1248](#) [1423151-3](#) [1423154-8](#) [1423462-7](#) [1423618-6](#) [1423151-5](#) [1423156-7](#) [1423618-4](#) [1472925-1](#)
[2112AH1SDC947](#) [2122DH1NJC467](#) [2122DH1PE](#) [2-1617805-2](#) [2-1617805-6](#) [K61C-08](#) [286XCXC-300-24D](#) [SCBRX022XXACXAC991](#)
[SHS10S110A](#) [SHS20M220A](#) [1755074-5](#) [SSC12AKA](#) [FAASPRING2](#) [2112DH3NDC50-13](#) [2-1437479-8](#) [2-1617805-1](#) [2-1617805-3](#) [2-](#)
[1617805-7](#)