

Proximity Magnetic Sensors Cylindrical Housing FM Series



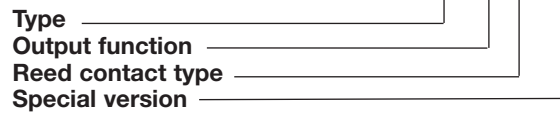
- Cylindrical and plastic, brass or nickel plated brass housing
- M10, M12, Ø 9.3 diameter
- NO, NC or CO output functions
- Front side switching

Product Description

The cylindrical proximity magnetic sensors of the FM series are available in different versions with plastic or brass housing, different dimensions and output contacts. The models can be mounted directly on ferromagnetic supports as well; in this situation a reduction in the operating distance may occur due to a loss of magnetic field.

Ordering Key

FM C 3 S1



Type Selection

Housing diameter	Connection	Output function	Reference
Ø 9.3	PVC cable	NO	FM A 3
M10	PVC cable	NO	FM A 3 S5
M10	PVC cable	NO	FM A 6
Ø 9.3	PVC cable	NC	FM C 3
M12	PVC cable	NC	FM C 3 S1
Ø 9.3	PVC cable	CO	FM S 1

Diameters are specified in millimeters (mm)

Output Specifications

Output FMA3, FMA3S5, FMA6 FMC3, FMC3S1 FMS1	NO NC Change-over
Contact ratings Max Switching Voltage FMA3, FMA3S5, FMC3, FMC3S1 FMS1 FMA6	500 VAC 100 VAC 100 VAC
Max Switching Current FMA3, FMA3S5, FMC3, FMC3S1 FMS1 FMA6	0.5 A 0.25 A 0.5 A
Max Switching Power FMA3, FMA3S5, FMC3, FMC3S1 FMS1 FMA6	5 VA 100 VA 100 VA

General Specifications

Operating distance FM Series	See Operating Distance table
Suitable magnetic unit FM Series	See Operating Distance table
Ambient temperature Operating	-25 to +70 °C
Environment Degree of protection	IP 67
Housing Diameter FMA3, FMC3, FMS1 FMA3S5, FMC3S1 FMA3S5, FMA6 Material FMA3, FMC3, FMS1 FMA6S2 FMA3S5, FMC3S1	Ø 9.3 mm M12 x 1 mm M10 x 0.75 mm Plastic Nickel plated brass Brass
CE-marking	Yes

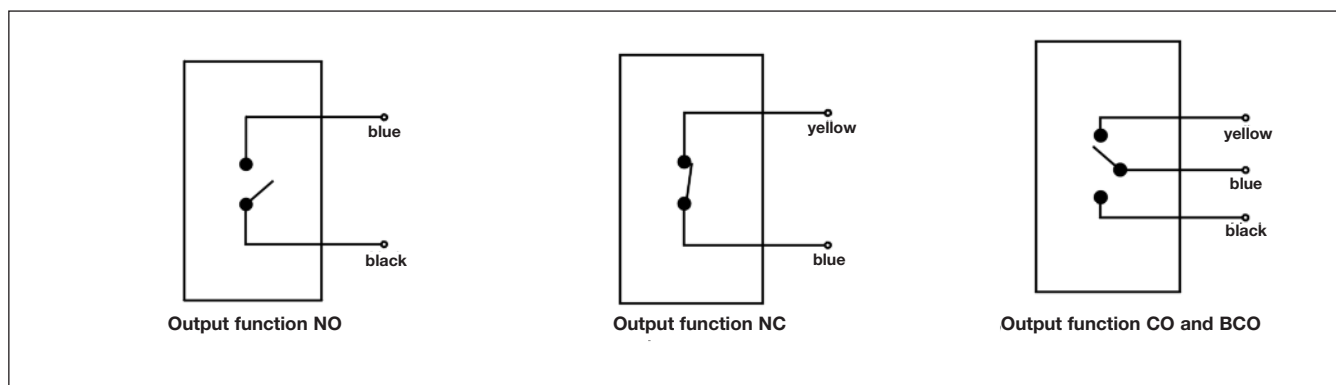
Operating Distance

Magnetic Units	CL10	CL11	CL18	CL20S1	CL20S3	CL23	CL31
FMA3, FMS1	11	25	9	20	19	15	25
FMC3	8	20/4*	7	17/2*	16/1*	12/0.5*	20/4*
FMA3S5	9	23	7	18	17	13	23
FMC3S1	6	18/2*	5	15/2*	14/1*	10/1*	18/2*

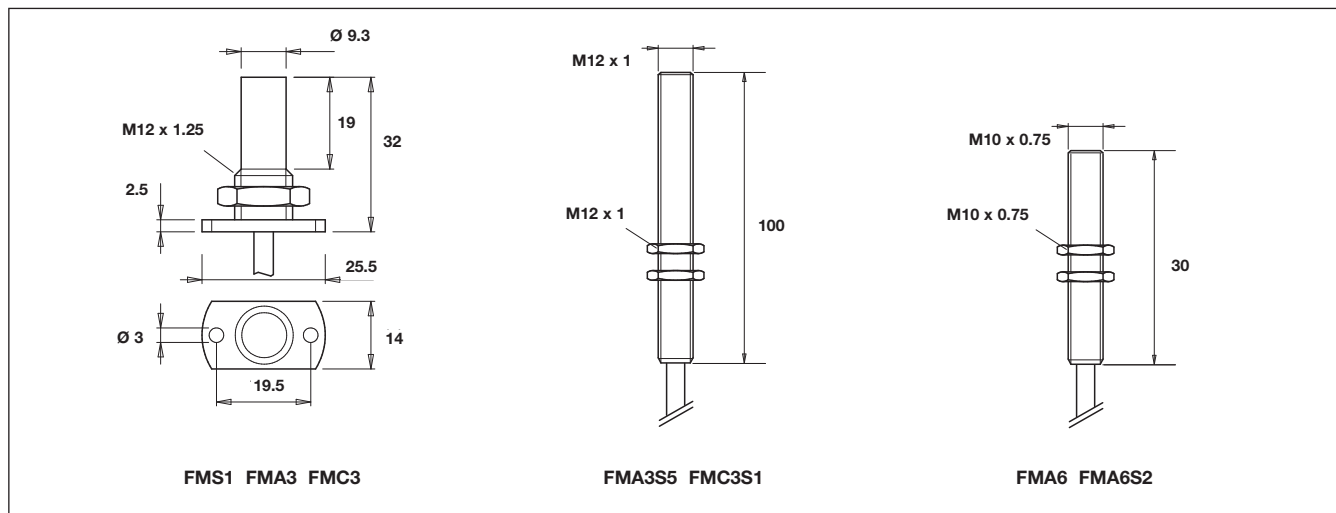
Distances are specified in millimeters (mm)

xx/xx: operating distance (for all Output functions); xx/xx*: reswitching contact distance.
Outside the above mentioned range, the sensor maintains the initial state.

Wiring Diagrams



Dimensions



X-ON Electronics

Largest Supplier of Electrical and Electronic Components

Click to view similar products for [Proximity Sensors](#) category:

Click to view products by [Carlo Gavazzi](#) manufacturer:

Other Similar products are found below :

[01.001.5653.1](#) [70.340.1028.0](#) [70.360.2428.0](#) [70.364.4828.0](#) [70.810.1053.0](#) [72.360.1628.0](#) [73.363.6428.0](#) [8027AL20NL2CPXX](#) [FYCC8E1-2](#)
[9221350022](#) [922AA2W-A9P-L](#) [PLS2](#) [GL-12F-C2.5X10\(LOT3\)](#) [972AB2XM-A3N-L](#) [972AB3XM-A3P-L](#) [PS3251](#) [980659-1](#) [QT-12](#) [E2E2-](#)
[X5M41-M4](#) [E2E-X14MD1-G](#) [E2E-X2D1-G](#) [E2EX2ME2N](#) [E2EX3D1SM1N](#) [E2E-X4MD1-G](#) [E2E-X5E1-5M-N](#) [E2E-X5Y2-N](#) [E2E-X7D1-](#)
[M1J-T-0.3M-N](#) [E2FMX1R5D12M](#) [E2K-F10MC1](#) [5M](#) [EH-302](#) [EI3010TBOP](#) [EI5515NPAP](#) [MS605AU](#) [EP175-32000](#) [BSA-08-25-08](#)
[IFRM04N35B1/L](#) [IFRM04P1513/S35L](#) [IFRM06P1703/S35L](#) [IFRM08P1501/S35L](#) [IFRM12N17G3/L](#) [IFRM12P17G3/L](#) [IFRM12P3502/L](#)
[IFRM12P37G1/S14L](#) [ILFK12E9189/I02](#) [ILFK12E9193/I02](#) [IMM2582C](#) [OISN-013](#) [25.161.3253.0](#) [25.332.0653.1](#) [25.352.0653.0](#)