

# General Accessories

## Mounting Material

### Types FRS, HF, SM, FMD, PL



**Front mounting bezel type FRS 2**  
For front panel mounting of S-housing timers. Front mounting bezel and S-housing snap together.

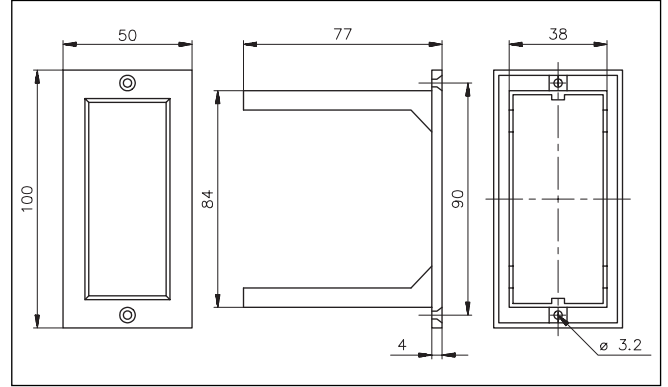
**Material**  
**Colour**  
**Panel cutout**

Glassfilled Noryl SE1  
Light grey  
84 x 38 mm

**FRS 2**



**FRS 2 on a relay**



**Hold down spring type HF**  
For additional fixing of Scantimer- and S-housings in places with strong vibrations.

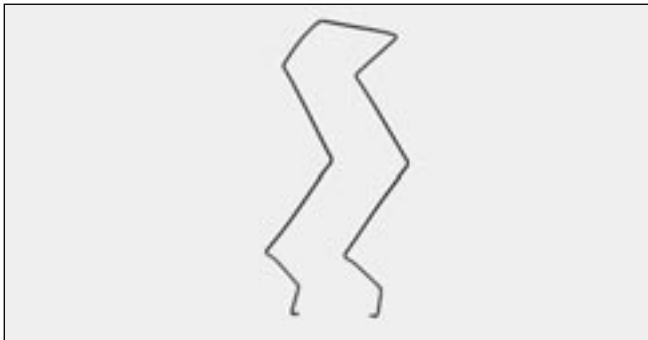
**Material**

Stainless steel spring wire

**HF**

To be used with socket type S 411 or D 411 B.

**HF mounted on relay**

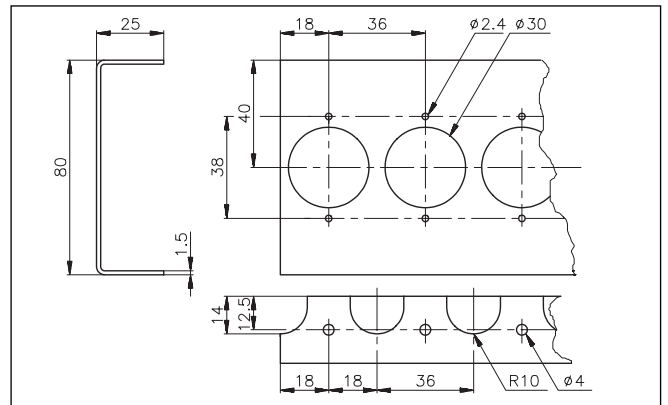


**Mounting rack type SM 13**  
Mounting rack for 27 relays (S 108 and S 111).

**Material**  
**Length, standard**

1.5 mm electroplated iron  
970 mm

**SM 13**



## Mounting Material (cont.)

### DIN-rail type FMD 411

Mounting rail for socket type D 411 B, which is snapped on FMD 411. For surface fixing by means of two screws.

### Material Dimensions

Electroplated steel  
35 x 35 mm

### FMD 411



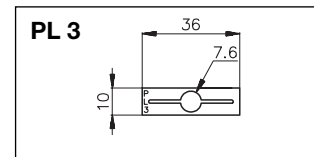
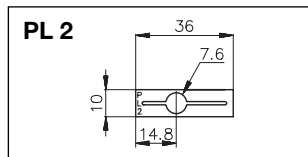
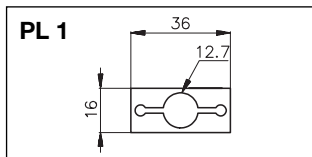
### Potentiometer lock, types PL 1, PL 2, PL 3

For locking of potentiometer on Scantimer and S-housing timer. The potentiometer lock snaps to front of housing. Fitting potentiometer into the aperture of the lock secures the time set on knob-adjustable timers.

### Material

Transparent polycarbonate

### PL 1, PL 2, PL 3



**PL 1** For timers with  $\varnothing$  13 mm knobs.

**PL 2** For timers with  $\varnothing$  8 mm knobs.

**PL 3** For timers with  $\varnothing$  8 mm knobs.

## X-ON Electronics

Largest Supplier of Electrical and Electronic Components

*Click to view similar products for [Sensor Fixings & Accessories](#) category:*

*Click to view products by [Carlo Gavazzi](#) manufacturer:*

Other Similar products are found below :

[EC18-WELL](#) [SA9Z-F11](#) [E4R-R12A-CS3M010](#) [E4R-R12A-CS3M020](#) [BS-1T CHITAN](#) [ICAB-1](#) [SA9Z-S07PN02](#) [ECT18-WELL](#) [57142-000](#)  
[79450811](#) [T18908](#) [P2435.3](#) [TM1STNTCW69755](#) [FRS2](#) [P2432.3](#) [P2434.3](#) [AS7030B\\_WRISTBAND](#) [AS7038GB\\_WRISTBAND](#) [EVAL-](#)  
[CHAMBER](#) [EVAL-CHAMBER-10](#) [MB18A](#) [R-6717-4F6](#) [51001R](#) [430233](#) [440101](#) [440102](#) [440121](#) [440122](#) [440131](#) [440132](#) [440135](#)  
[440136](#) [440147](#) [XSZB108](#) [Y92E-BC12](#) [Y92E-BC18](#) [843-12AC/DC](#) [844-12AC/DC](#) [771000-6011](#) [771000-6202](#) [812-12AC/DC](#) [834-](#)  
[12AC/DC](#) [909G](#) [910G](#) [913G](#) [92.031.9058.1](#) [92.032.9058.1](#) [925G](#) [771000-6010](#) [GN 473-B12-MT](#)