

Proximity Magnetic Sensors Cylindrical Body, FMP Series



- Cylindrical case
- Threaded plastic body
- M12 diameter
- NO, NC, Bistable or CO output functions
- Front side switching

Product Description

The sensors of the FMP series are housed in a plastic threaded body. The different versions have NO, NC, Bistable or Change-over output contacts. The NO and

Change-over versions can also be mounted directly on ferromagnetic supports. The FMP is provided with two plastic nuts.

Ordering Key

FMP.A.7

Type _____
 Output Function _____
 Reed Contact Type _____

Type Selection

Output function	References
NO	FMP.A.7 FMP.A.9
NC	FMP.C.7
Change-over	FMP.S.1
Bistable	FMP.B.2

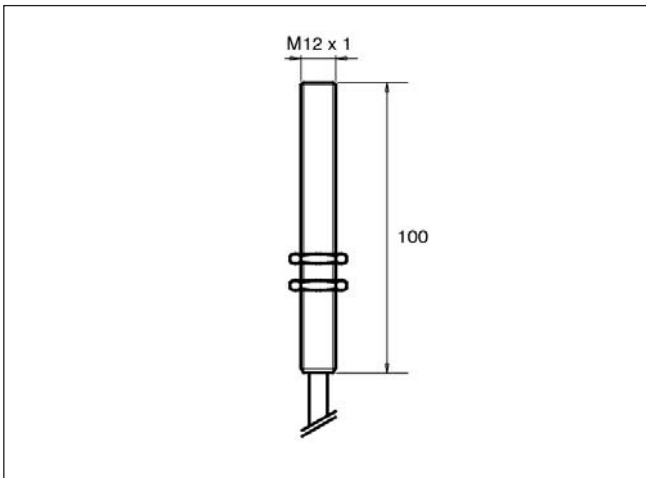
General specification

External dimensions	M 12 X 1	Protection degree	IP67
Operating distance	8÷ 27 mm	Operating temperature	-25 to +75°C
Case	Plastic	Output connection	PVC Cable

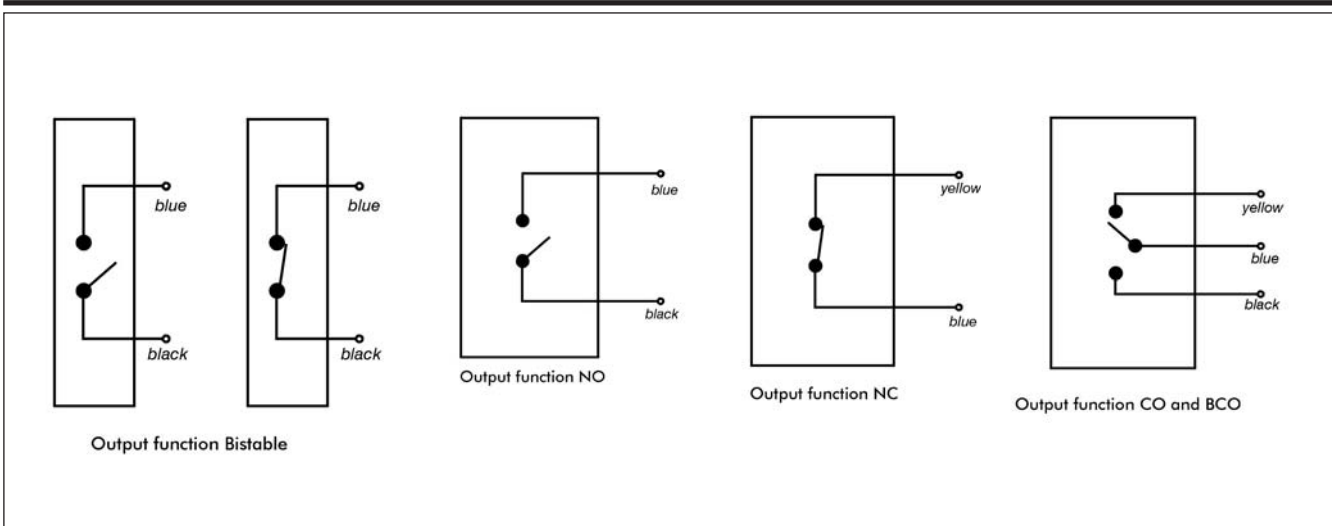
Electrical specifications

Contacts	2	7	9	S.1
Max switching voltage	250 Vac	250 Vac	230 Vac	100 Vac
Max switching current	3 A	0,5 A	1 A	0,25 A
Max switching power	120 VA	10 VA	60 VA	5 VA

Dimensions



Wiring Diagrams



X-ON Electronics

Largest Supplier of Electrical and Electronic Components

Click to view similar products for [Proximity Sensors](#) category:

Click to view products by [Carlo Gavazzi](#) manufacturer:

Other Similar products are found below :

[01.001.5653.1](#) [70.340.1028.0](#) [70.360.2428.0](#) [70.364.4828.0](#) [70.810.1053.0](#) [72.360.1628.0](#) [73.363.6428.0](#) [8027AL20NL2CPXX](#) [FYCC8E1-2](#)
[9221350022](#) [922AA2W-A9P-L](#) [PLS2](#) [GL-12F-C2.5X10\(LOT3\)](#) [972AB2XM-A3N-L](#) [972AB3XM-A3P-L](#) [PS3251](#) [980659-1](#) [QT-12](#) [E2E2-](#)
[X5M41-M4](#) [E2E-X14MD1-G](#) [E2E-X2D1-G](#) [E2EX2ME2N](#) [E2EX3D1SM1N](#) [E2E-X4MD1-G](#) [E2E-X5E1-5M-N](#) [E2E-X5Y2-N](#) [E2E-X7D1-](#)
[M1J-T-0.3M-N](#) [E2FMX1R5D12M](#) [E2K-F10MC1](#) [5M](#) [EH-302](#) [EI3010TBOP](#) [EI5515NPAP](#) [MS605AU](#) [EP175-32000](#) [BSA-08-25-08](#)
[IFRM04N35B1/L](#) [IFRM04P1513/S35L](#) [IFRM06P1703/S35L](#) [IFRM08P1501/S35L](#) [IFRM12N17G3/L](#) [IFRM12P17G3/L](#) [IFRM12P3502/L](#)
[IFRM12P37G1/S14L](#) [ILFK12E9189/I02](#) [ILFK12E9193/I02](#) [IMM2582C](#) [OISN-013](#) [25.161.3253.0](#) [25.332.0653.1](#) [25.352.0653.0](#)