

Proximity Magnetic Sensors Cylindrical Housing FMP Series

CARLO GAVAZZI



- Cylindrical threaded plastic housing in different colours based on the output function
- M12 diameter
- NO, NC, bistable or CO output functions
- Front side switching

Product Description

The sensors of the FMP series are housed in a plastic threaded housing available in different colours based on the output function. The different versions have NO (Normally Open), NC (Normally Closed), Bistable or CO (Change-over) output contacts. All

versions can be mounted directly on ferromagnetic supports as well; in this situation a reduction in the operating distance may occur due to a loss of magnetic field. The FMP series is provided with two plastic nuts.

Ordering Key

FMP A 7 S1

Type _____
 Output function _____
 Reed contact type _____
 Special version _____

Type Selection

Housing diameter	Housing colour	Connection	Output function	Reference
M12	Black	PVC cable L= 2m	NO	FMP A 7
M12	Black	PVC cable L= 2m	NO	FMP A 9
M12	Black	PVC cable L= 2m	NO	FMP A 9 S1
M12	Red	PVC cable L= 2m	NC	FMP C 7
M12	Red	PVC cable L= 2m	NC	FMP C 9
M12	Blue	PVC cable L= 2m	CO	FMP S 1
M12	Grey	PVC cable L= 2m	Bistable	FMP B 2

Diameters are specified in millimeters (mm)

Output Specifications

Output	Output function	Contact ratings (cont.)
FMPA7, FMPA9, FMPA9S1	NO	Max Switching Power
FMPC7, FMPC9	NC	FMPB2 120 VA
FMPS1	Change-over	FMPA7 10 VA
FMPB2	Bistable	FMPA9, FMPA9S1, FMPC9 60 VA
		FMPC7 10 VA
		FMPS1 5 VA
		Minimum Wetting Current (*) 200 µA
Contact ratings		
Max Switching Voltage		
FMPB2 250 V AC/DC		
FMPA7 200 VDC, 140 VAC		
FMPA9, FMPA9S1, FMPC9 230 V AC/DC		
FMPC7 120 V AC/DC		
FMPS1 175 VDC, 120 VAC		
Max Switching Current		
FMPB2 3 A		
FMPA7 1 A		
FMPA9, FMPA9S1, FMPC9 3 A		
FMPC7 0.5 A		
FMPS1 0.25 A		

(*) Minimum current required to prevent oxidation between the reed contacts

General Specifications

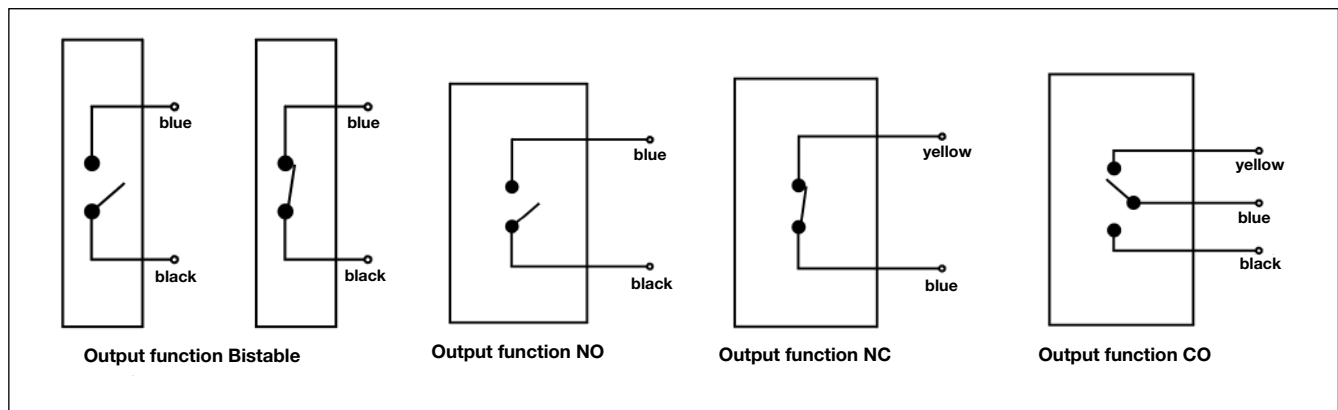
Operating distance	See Operating Distance table
Suitable magnetic unit	See Operating Distance table
Operating distance	8 ÷ 27 mm
Operating temperature	-25 to +75 °C
Degree of protection	IP 67
Housing	
Diameter	M12 x 1 mm
Material	Plastic
Colour	
FMPA7, FMPA9, FMPA9S1	Black
FMPC7, FMPC9	Red
FMPS1	Blue
FMPB2	Grey
CE-marking	Yes

Operating Distance

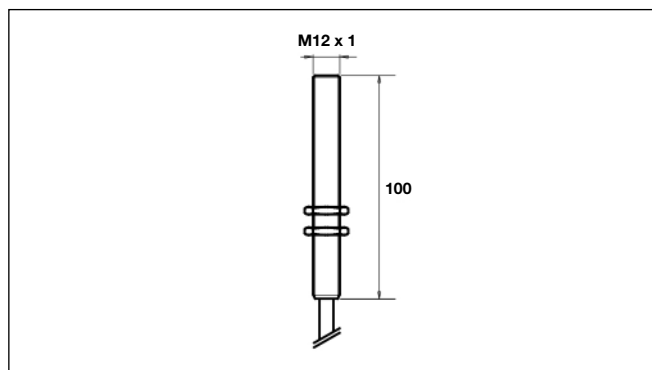
Magnetic Units	CL20S1*
FMPA7	26
FMPA9	7
FMPA9S1	17
FMPC7	23
FMPC9	26
FMPS1	20
FMPB2	15

Distances are specified in millimeters (mm)
 xx/xx: operating distance (for all Output functions).
 *frontal operation.

Wiring Diagrams



Dimensions



X-ON Electronics

Largest Supplier of Electrical and Electronic Components

Click to view similar products for [Board Mount Motion & Position Sensors](#) category:

Click to view products by [Carlo Gavazzi](#) manufacturer:

Other Similar products are found below :

[6SS4](#) [F02008062](#) [9970-090-9J-SA](#) [AS5270B-HMFM](#) [MB060-N-221-A02](#) [MB090-N-221-A02](#) [RDC506017A](#) [RD602B014B](#) [RDC1032A0C](#)
[RD611A009C](#) [RD602B016A](#) [WI-27-102](#) [WI-27-503](#) [WI-27-104](#) [WI-27-202](#) [WI-27-502](#) [WI-27-203](#) [WI-27-103](#) [S18-L262B-2](#) [RDB226-S](#)
[MLX90340LDC-AAA-000-RE](#) [AS5055A-BQFM](#) [RD1010028A](#) [RDC1032A0F](#) [KTH5763AQ3DNE](#) [VCP1611](#) [TLE5501 E0001](#) [APS00B](#)
[MT6816CT-STD](#) [MT6816CT-ACD-R](#) [MT6701CT-ACD](#) [XYC-PIR223W-S0](#) [XYC-PIR423D-D0](#) [XYC-TH4616-S1](#) [XYC-PIR203B-S0](#) [XYC-](#)
[PIR214D-D0](#) [XYC-PIR223Z-S0](#) [XYC-PIR226Z-S0](#) [XYC-PIR203Z-S0](#) [XYC-PIR224S-S1](#) [XYC-PIR244D-D0](#) [XYC-PIR224D-S0](#) [RDB223](#)
[GH1496BUA](#) [GH1187](#) [BISS0001DRG](#) [MLX90365KGO-ABD-000-RE](#) [SCA3300-D01-PCB](#) [MLX90316KDC-BCG-200-TU](#)
[MLX90316KDC-BDG-100-RE](#)