

General Accessories

Mounting Material

Types FRS, HF, SM, FMD, PL



Front mounting bezel type FRS 2
For front panel mounting of S-housing timers. Front mounting bezel and S-housing snap together.

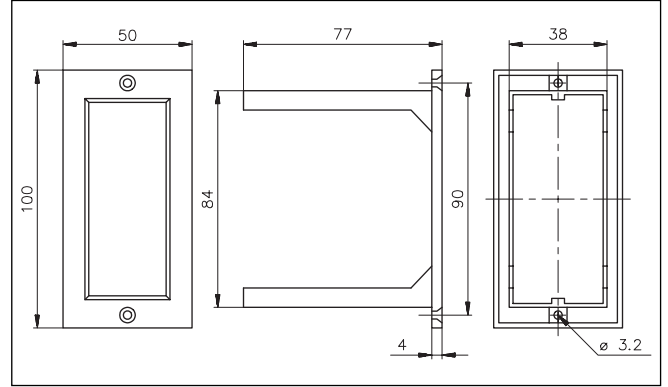
Material
Colour
Panel cutout

Glassfilled Noryl SE1
Light grey
84 x 38 mm

FRS 2



FRS 2 on a relay



Hold down spring type HF
For additional fixing of Scantimer- and S-housings in places with strong vibrations.

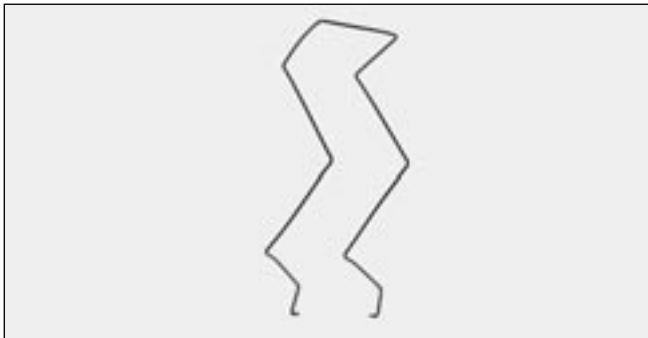
Material

Stainless steel spring wire

HF

To be used with socket type S 411 or D 411 B.

HF mounted on relay

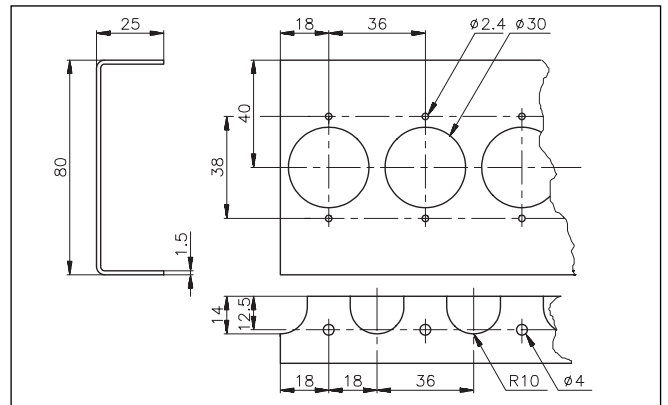


Mounting rack type SM 13
Mounting rack for 27 relays (S 108 and S 111).

Material
Length, standard

1.5 mm electroplated iron
970 mm

SM 13



Mounting Material (cont.)

DIN-rail type FMD 411

Mounting rail for socket type D 411 B, which is snapped on FMD 411. For surface fixing by means of two screws.

Material Dimensions

Electroplated steel
35 x 35 mm

FMD 411



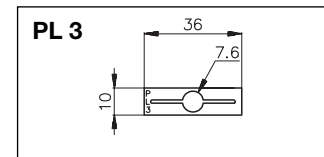
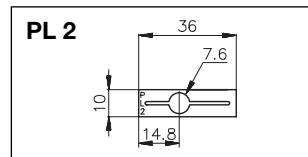
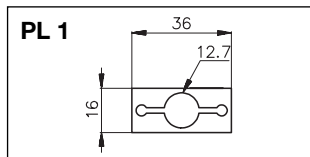
Potentiometer lock, types PL 1, PL 2, PL 3

For locking of potentiometer on Scantimer and S-housing timer. The potentiometer lock snaps to front of housing. Fitting potentiometer into the aperture of the lock secures the time set on knob-adjustable timers.

Material

Transparent polycarbonate

PL 1, PL 2, PL 3



PL 1 For timers with \varnothing 13 mm knobs.

PL 2 For timers with \varnothing 8 mm knobs.

PL 3 For timers with \varnothing 8 mm knobs.

X-ON Electronics

Largest Supplier of Electrical and Electronic Components

Click to view similar products for [Sensor Fixings & Accessories](#) category:

Click to view products by [Carlo Gavazzi](#) manufacturer:

Other Similar products are found below :

[F03-01 SUS304 BINIL](#) [8000-5130](#) [FH-AP1](#) [PH-1-10M](#) [PH-1-20M](#) [PH-2-30M](#) [AC201](#) [R4](#) [ADI-LC3S](#) [EC18-WELL](#) [PBT420-100R](#) [PC-15015](#) [K35-4](#) [A-1923](#) [SS-12143](#) [STA12](#) [AP4-T](#) [PH-1-50M](#) [R6](#) [D01051301](#) [43912557-020](#) [MF-1 D=3.2](#) [BGN-035](#) [E39-L7](#) [ZX-SB11](#) [D01070602](#) [606072](#) [606075](#) [Y92ES12PVC4A10ML](#) [Y92ES12PVC4S5ML](#) [SA9Z-F11](#) [Z49-SF1](#) [ZFV-XMF2](#) [E4R-R12A-CS3M010](#) [28810-2](#) [ZX-SW11E V3](#) [CCS-PL-LDR2-70](#) [E4R-R12A-CS3M020](#) [BS-1T CHITAN](#) [F03-01 CHITAN](#) [CCS-PD2-1012](#) [ZX-SFW11E V3](#) [PH-2-90M](#) [PH-2-5M](#) [XMLZL008](#) [AC244](#) [28810-1](#) [PH-1-40M](#) [SS-12225](#) [32043-500](#)