

Proximity Magnetic Sensors Cylindrical Housing FSM Series



- Cylindrical, brass or nickel plated brass housing
- M12 or M16 diameter
- NO or CO output functions
- Front side switching

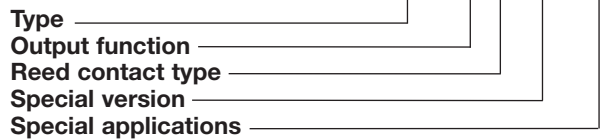
Product Description

The cylindrical proximity magnetic sensors of the FSM series are available in different versions with brass or nickel-plated brass housing, different dimensions and output contacts. They can be mounted directly on ferromagnetic supports as

well; in this situation a reduction in the operating distance may occur due to a loss of magnetic field. FSMA7 model is provided with output function status LED, while FSMS2S2AT can resist to temperature up to 180 °C.

Ordering Key

FSM S 2 S2 AT



Type Selection

Housing diameter	Connection	Output function	Reference
M12	PVC cable	NO	FSM A 2
M12	Silicone cable	NO	FSM A 7
M12	PVC cable	CO	FSM S 2
M16	PVC cable	CO	FSM S 2 S2
M16	Silicone cable	CO	FSM S 2 S2 AT

Diameters are specified in millimeters (mm)

Output Specifications

Output FSMA2, FSMA7 FSMS2, FSMS2S2, FSMS2S2AT	NO Change-over
Contact ratings Max Switching Voltage FSMA2 FSMA7 FSMS2, FSMS2S2, FSMS2S2AT	250 VAC 24 VDC 220 VAC
Max Switching Current FSMA2 FSMA7 FSMS2, FSMS2S2, FSMS2S2AT	3 A 50 mA 1 A
Max Switching Power FSMA2 FSMA7 FSMS2, FSMS2S2, FSMS2S2AT	100 VA negligible 60 VA

General Specifications

Operating distance FSM Series	See Operating Distance table
Suitable magnetic unit FSM Series	See Operating Distance table
Ambient temperature Operating FSMA2, FSMA7, FSMS2, FSMS2S2 FSMS2S2AT	-25 to +75 °C -25 to +180°C
Environment Degree of protection	IP 67
Housing Diameter FSMA2, FSMA7, FSMS2 FSMS2S2, FSMS2S2AT Material FSMA2, FSMA7, FSMS2 FSMS2S2, FSMS2S2AT	M12 x 1 M16 x 1 Nickel-plated brass Brass
CE-marking	Yes

Operating Distance

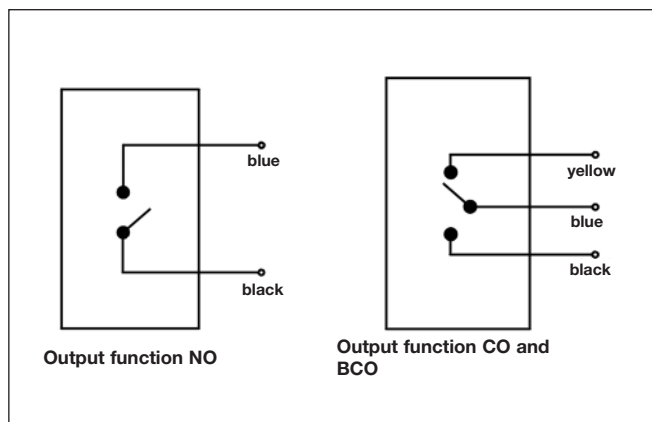
Magnetic units	CL10	CL11	CL18	CL20S1	CL20S3	CL23	CL31	CL50
FSMA2	-	16	2	14	13	11	19	-
FSMS2	-	9	-	-	-	-	-	19
FSMA7*	-	-	-	-	-	-	-	-
FSMS2S2AT	-	-	-	-	8	-	-	-

Distances are specified in millimeters(mm)

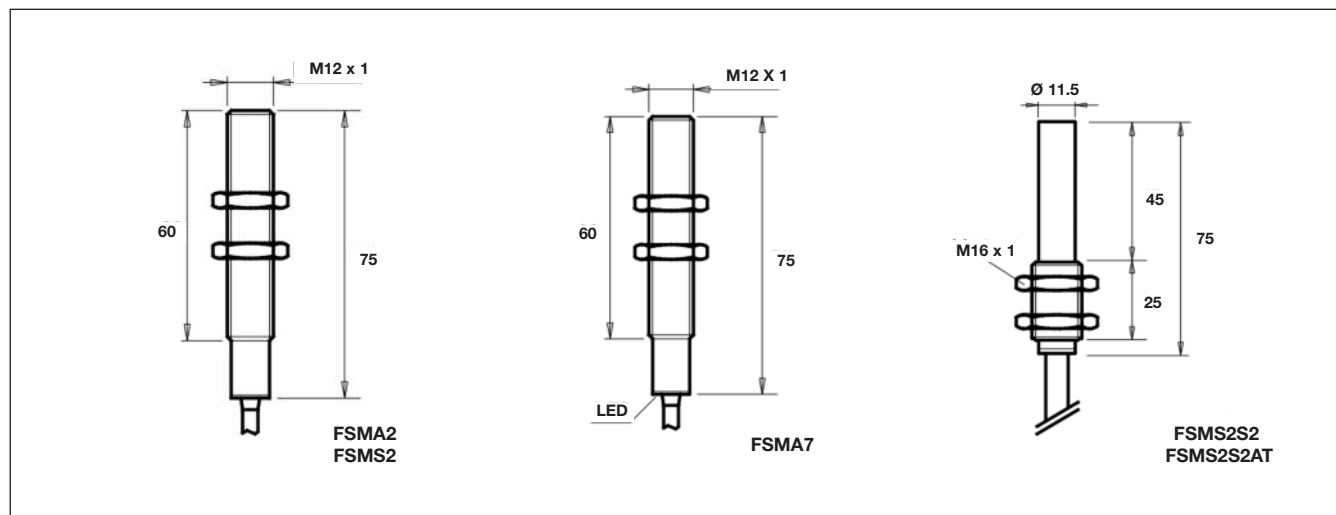
xx: operating distance (for all Output functions).

* ≥ 7 mm with Neodimium REN 35, 5x5x1.5 magnetic unit mounted on iron

Wiring Diagrams



Dimensions



X-ON Electronics

Largest Supplier of Electrical and Electronic Components

Click to view similar products for [Proximity Sensors](#) category:

Click to view products by [Carlo Gavazzi](#) manufacturer:

Other Similar products are found below :

[01.001.5653.1](#) [70.340.1028.0](#) [70.360.2428.0](#) [70.364.4828.0](#) [70.810.1053.0](#) [72.360.1628.0](#) [73.363.6428.0](#) [8027AL20NL2CPXX](#) [FYCC8E1-2](#)
[9221350022](#) [922AA2W-A9P-L](#) [PLS2](#) [GL-12F-C2.5X10\(LOT3\)](#) [972AB2XM-A3N-L](#) [972AB3XM-A3P-L](#) [PS3251](#) [980659-1](#) [QT-12](#) [E2E2-](#)
[X5M41-M4](#) [E2E-X14MD1-G](#) [E2E-X2D1-G](#) [E2EX2ME2N](#) [E2EX3D1SM1N](#) [E2E-X4MD1-G](#) [E2E-X5E1-5M-N](#) [E2E-X5Y2-N](#) [E2E-X7D1-](#)
[M1J-T-0.3M-N](#) [E2FMX1R5D12M](#) [E2K-F10MC1](#) [5M](#) [EH-302](#) [EI3010TBOP](#) [EI5515NPAP](#) [MS605AU](#) [EP175-32000](#) [BSA-08-25-08](#)
[IFRM04N35B1/L](#) [IFRM04P1513/S35L](#) [IFRM06P1703/S35L](#) [IFRM08P1501/S35L](#) [IFRM12N17G3/L](#) [IFRM12P17G3/L](#) [IFRM12P3502/L](#)
[IFRM12P37G1/S14L](#) [ILFK12E9189/I02](#) [ILFK12E9193/I02](#) [IMM2582C](#) [OISN-013](#) [25.161.3253.0](#) [25.332.0653.1](#) [25.352.0653.0](#)