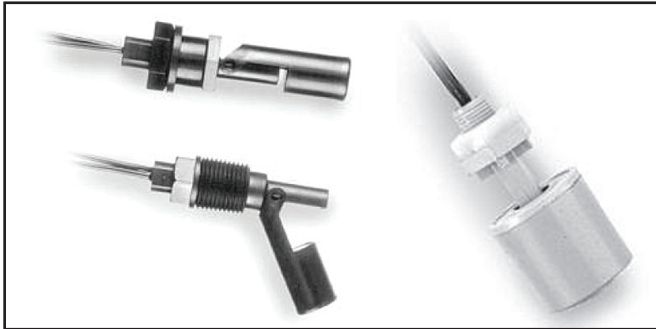


# Level Sensors Electromechanical Float Switches Types FS, Horizontal and Vertical Mount



- Float switches for liquid level sensing
- Horizontal or vertical mount
- Polypropylene, or polysulfone housings
- Maximum switching voltage: 200 VDC or 240 VAC
- Maximum switching current: 0.5 A (SPST)
- Suitable for specific gravities > 0.75

## Product Description

The FS series of sensors are economical electromechanical float switches for liquid level sensing. Selectable normally open or normally closed outputs, along

with various mounting configurations and housing materials, allow the FS sensors to fit a wide variety of level applications.

## Ordering Key

**FS H -2 1**

Type \_\_\_\_\_  
 Mounting attitude \_\_\_\_\_  
 Mounting type \_\_\_\_\_  
 Housing material \_\_\_\_\_

## Type Selection

Housing Material	Horizontal mount, Ø16 mm compression	Horizontal mount, 1/2" NPT thread	Vertical mount, 1/8" PF thread
Polypropylene	FSH-21	FSH-31	FSV-31
Polysulfone	FSH-25	FSH-35	FSV-35

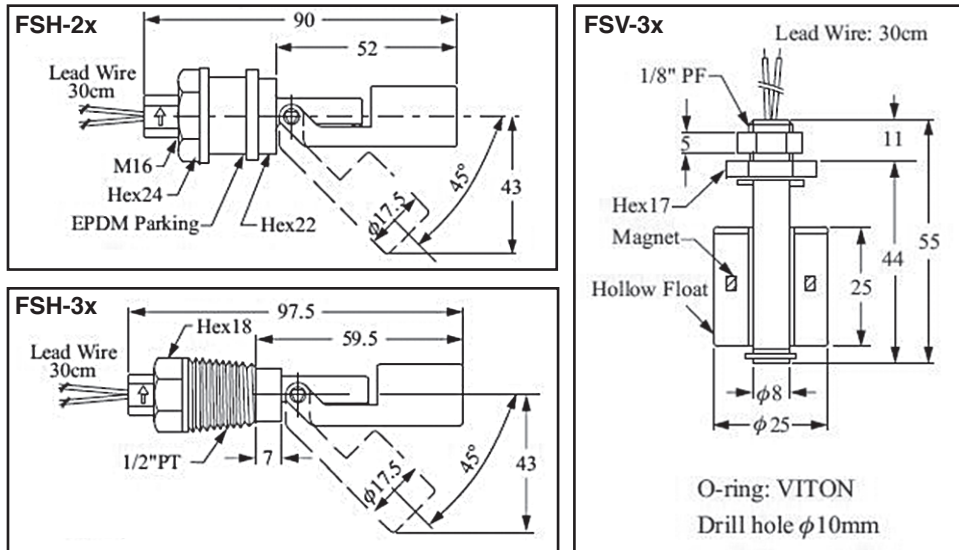
## Specifications

<b>Rated maximum switching voltage</b>	200 VDC, 240 VAC	<b>Connection</b>	2 wires, XLPE 22 AWG x 12 in.
<b>Rated maximum current</b>		<b>Suitable specific gravity</b>	
Switching	0.5 A	FS... 1 types	>0.75
Carrying	1.0 A	FS... 5 types	>0.85
<b>Rated maximum switching capacity</b>	50W (VA)	<b>Housing material color</b>	
<b>Switch type, function</b>	Reed, SPST	FSH... 1 types	Polypropylene, black
<b>Rated operating temperature</b>		FSV... 31 type	Polypropylene, white
FS... 1 types	-4 to +176°F	FS... 5 types	Polysulfone, transparent
FS... 5 types	-4 to +250°F	<b>MTBF</b>	1,000,000 Cycles
<b>Rated operating pressure</b>		<b>Approvals</b>	CE
FS... 1 types	57 psi	<b>Weight</b>	
FS... 5 types	28 psi	FSH... 1 types	35 g
		FSH... 5 types	40 g
		FSV... types	18 g

# FH, Horizontal and Vertical Mount

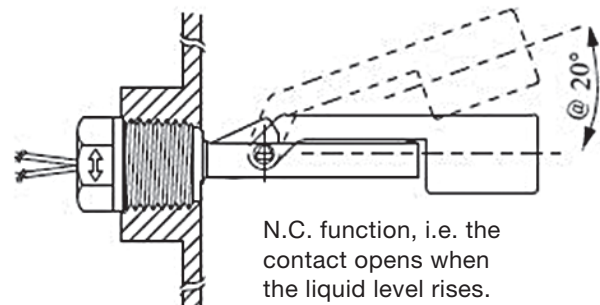
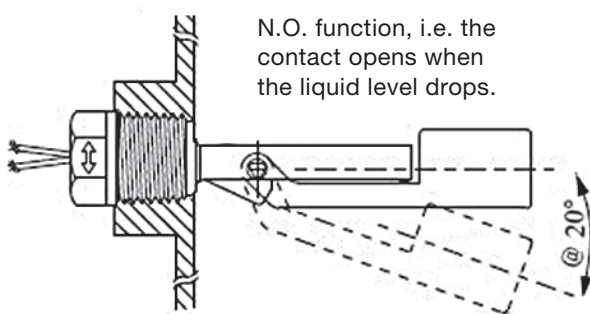


## Dimensions



## Installation Guide

- FSH...types** Normally open or normally closed operation is selectable by orientation of the sensor in the tank. Normally open switching is obtained when the arrow on the mounting is pointed up, and vice versa, normally closed when the arrow is downward.
- FSV...types** Normally open or normally closed operation is selectable by inversion of the float on the shaft. The switches are shipped normally open otherwise indicated.



## X-ON Electronics

Largest Supplier of Electrical and Electronic Components

*Click to view similar products for [Liquid Level Sensors](#) category:*

*Click to view products by [Carlo Gavazzi](#) manufacturer:*

Other Similar products are found below :

[FSH-21](#) [FSH-25](#) [FSH-34](#) [FSH-35](#) [FSV-31](#) [FSV-35](#) [RSF54H100R1/8](#) [LRNH31S41](#) [F03-16SFC-10M](#) [F03-16SF-5M](#) [F03-16PE-5M](#) [F03-16PT-5M](#) [LBFS 1151](#) [SCN-1518SC](#) [LL103000](#) [LRNR31N01](#) [MS03-PP](#) [F03-16SF-10M](#) [KSL-100-1](#) [LS01-1B66-PP-500W](#) [LS02-1B66-S-500W](#) [LS02-1B85-PP-5000W](#) [LS03-1A85-PP-500W](#) [LRNH31S42](#) [59630-1-T-02-F](#) [LS04-1B66-2-500W](#) [LFFS 011](#) [T0-SKF-0.5](#) [T0-SKF-10](#) [T0-SKF-5](#) [VNI3](#) [CLP2FA1BM24](#) [VNI1](#) [LBFS 0111](#) [LFFS 014](#) [KSL-88-PP](#) [KSL-99-1](#) [LS02-1A85-PP-500W](#) [LS02-1B85-PP-500W](#) [LS03-1A85-PA-500W](#) [MIC 1000-20](#) [700670](#) [BAF147B002-00A0](#) [DFT-110](#) [DFT-220](#) [A94-10](#) [CA30CLL30BP](#) [CA30CLL30BPM1](#) [CLE1](#) [CLE1K](#)