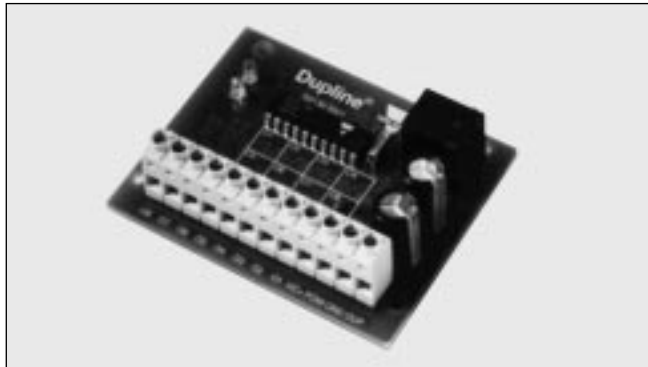


# Output-Module for Elevators Type G 2130 55.1 700



- 8 NPN- or PNP-transistor outputs for control of floor-indicators
- Open printed circuit board
- Bracket for DIN-rail mounting available
- LED-indications for supply and Dupline® carrier
- 3-wire system with Dupline® and DC-supply through G 2196 0000 700
- Channel coding by GAP 1605

## Product Description

Module with 8 NPN- or PNP-transistor outputs for direct interface to elevator floor indicators. The 8 outputs can either be connected to the 8 inputs of intelligent floor indicators which are controlled by bit-combinations or they can be used to drive LED-segments directly. All modules

in an elevator is connected to the same 3 wires for bus-communication with the control system and DC-power-supply for the lamps/LED's. Installer friendly mounting, operation and maintenance without requirement of any special tools or programming.

## Ordering Key

**G 2130 5521 700**

Type: Dupline® \_\_\_\_\_  
 Open PCB \_\_\_\_\_  
 Output-Module \_\_\_\_\_  
 Number of I/Os \_\_\_\_\_  
 Output type \_\_\_\_\_  
 DC-supply \_\_\_\_\_

## Type Selection

### Supply

10-30 VDC

### Ordering no. NPN-outputs

G 2130 5511 700

### Ordering no. PNP-outputs

G 2130 5521 700

## Output Specifications

<b>Outputs</b>	8 PNP-transistors
Output voltage drop	≤ 2.0 V
Current per output	≤ 100 mA
Total load capability (01..08)	≤ 500 mA
Reverse polarity protection	Yes
Short-circuit protection	None
Built-in protective diodes	Yes
Off-state leakage current	≤ 200 µA
<b>Response time</b>	1 pulse train (136 ms @ 128 channels)

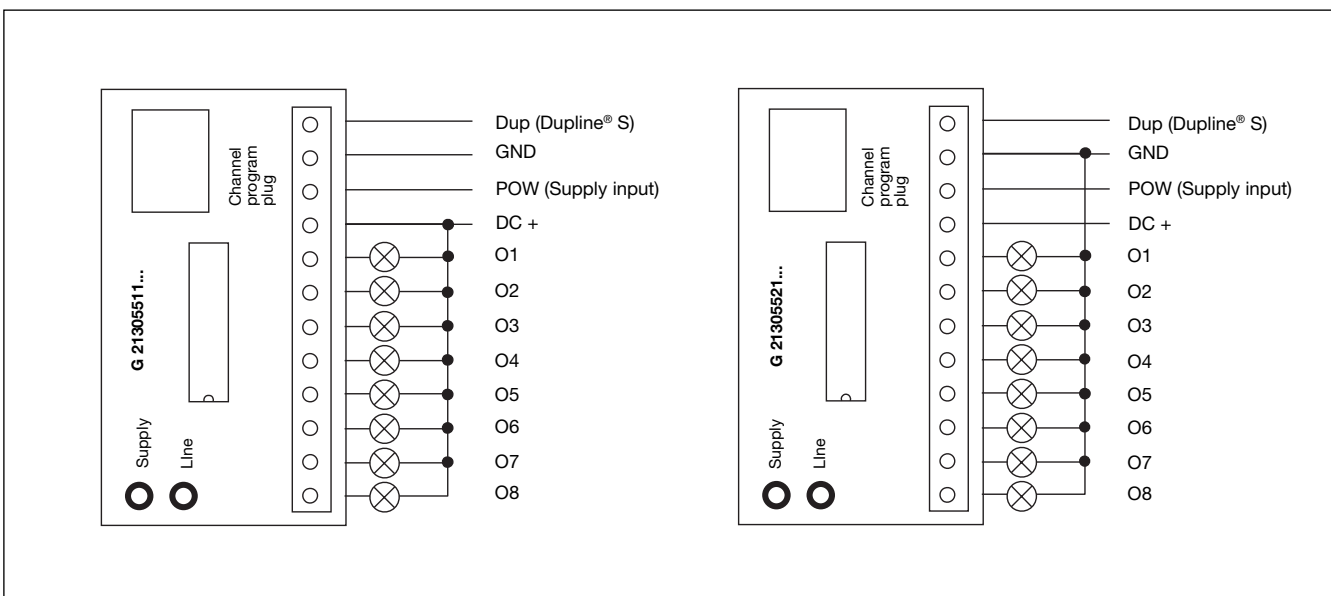
## Supply Specifications

<b>Power supply</b>	Overvoltage cat. III (IEC 60664)
Rated operational voltage (V <sub>in</sub> )	10-30 VDC (ripple included)
Ripple	≤ 3 V
Reverse polarity protection	Yes
Current consumption	≤ 45 mA
Power dissipation	≤ 1 W
Inrush current	≤ 1 A
Transient protection voltage	800 V
Dielectric voltage	
Supply - Dupline®	None
Supply - Outputs	None

## General Specifications

<b>Power ON delay</b>	Typ. 2 s
<b>Indication for</b>	
Supply ON	LED, green
Dupline® carrier	LED, yellow
<b>Environment</b>	
Operating temperature	-20 to +50°C (-4 to +122°F)
Storage temperature	-50 to +85°C (-58 to +185°F)
<b>Humidity (non-condensing)</b>	20 - 80%
<b>Mechanical resistance</b>	
Shock	15 G (11 ms)
Vibration	2 G (6 to 55 Hz)
<b>Dimensions</b>	Open PCB 74 x 59 mm 4 pcs. of nylon PA6 snap locks are included for mounting the PCB in ø 4.8 holes
<b>Weight</b>	50 g

## Wiring Diagrams



## Pin Allocation

Terminal	Input/Output
DUP	Dupline® signal
GND	Dupline® + supply GND
POW	Supply IN
DC +	DC for output loads
O 1	Output 1
O 2	Output 2
O 3	Output 3
O 4	Output 4
O 5	Output 5
O 6	Output 6
O 7	Output 7
O 8	Output 8

## Mode of Operation

The output unit uses three wires for the communication with all the other I/O-units of an installation, for the supply of the I/O-units and for the loads connected to the outputs of the units. This implies, that the “common” of the communication signal is identical to the “minus” of the supply.

The DC supply voltage must connect to the system through a G 2196 0000 700, which also performs the channel generator function and the RS485 communication link to the elevator controller (please refer to the data sheet for G2196 0000 700 for details).

8 out of the 128 available Dupline® addresses should be reserved to control the floor-indicators. Since all the indicators must show the same value, the output modules can all be coded to read the same addresses. This implies that only 8 addresses will be occupied for floor indication no matter how many indicators are installed.

The output status of all outputs of an output unit may be predefined for cases like loss of power and loss of communication. Please refer to the paragraph “Output status setting” of the data sheet for the GAP 1605 to change the default setting (all outputs OFF).

## Accessories

Aluminium bracket for  
DIN-mounting  
DIN-rail

8047- bracket  
FMD 411

## X-ON Electronics

Largest Supplier of Electrical and Electronic Components

*Click to view similar products for [I/O Modules](#) category:*

*Click to view products by [Carlo Gavazzi](#) manufacturer:*

Other Similar products are found below :

[70L-IDC5S](#) [70L-OAC-L](#) [70Z3289-4](#) [G21960000700](#) [G21960002700](#) [G34960002700](#) [G88104401](#) [OACU](#) [C4SWOUT](#) [PB16H](#)  
[G34960001700](#) [G3TA-OA101SZ-1](#) [DC24](#) [G77-S](#) [G78-16-E](#) [DA5](#) [IDC5P](#) [FC6A-N16B1](#) [6421](#) [70MRCQ32-HL](#) [G3TAOD201SDC24](#)  
[C200H-LK201-V1](#) [G3TA-OA202SZ-US](#) [DC12](#) [GT1-OD16](#) [GT1-AD04CST](#) [GT1-DA04](#) [B7AM-6BS](#) [70GRCQ24-HS](#) [6422](#) [84110410](#) [GT1-](#)  
[OD16MX](#) [G7VC-OC16-B7](#) [70MRCK24-DIN](#) [6202](#) [6402](#) [PI/NI-2D/24](#) [FC6A-J2C1](#) [FC6A-KC1C](#) [FC6A-R081](#) [FC6A-J8CU1](#)  
[GP32900003700](#) [641-480-5022](#) [PB16H](#) [84145010](#) [84110210](#) [FRUSB1601](#) [PCL-720+-BE](#) [AP24MX3DB25F](#) [ADAM-5053S-AE](#) [WISE-](#)  
[S614-A](#) [C200H-OD211](#)