

Dupline® Input module Type G 8810 2201



- Small-sized 2-channel monostable transmitter
- 2 contact inputs for pushbuttons
- Input pulse prolongation
- Compact housing
- Dupline® supplied
- Address coding by GAP 1605
- cULus approved

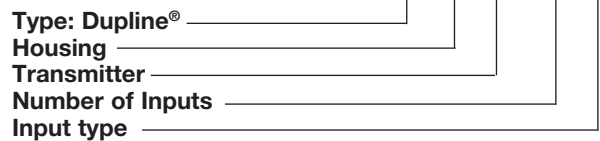
Product Description

Dupline® transmitter designed to be a part of the Dupline® Building Automation concept. It allows a flexible installation concept in existing/traditional light switches. The compact size of the module makes

it possible to fit it in a junction box or directly behind a switch/pushbutton input. On the input, there is a built-in pulse-prolongation which ensures that even short input pulses are transmitted.

Ordering Key

G 8810 2201



Type Selection

Supply	Ordering no.
By Dupline®	G8810 2201

Mode of Operation

The input addresses can be coded by means of the programming unit GAP 1605, with the Adapt 1605.

General Specifications

Environment	
Degree of protection	IP65
Operating temperature	-40 to +70°C (-40° to +158°F)
Storage temperature	-40 to +70°C (-40° to + 158°F)
Humidity (non-condensing)	20 - 80%
Housing	
Material	Noryl GFN 1, Black
Dimensions (h x w x d)	28 x 14 x 10 mm
Cable	Total diameter: 2.9 mm The cable is 3 x 0.14 mm ²
Approvals	cULus, according to UL60950
CE Marking	Yes
EMC	
Immunity	EN 61000-6-2
- Electrostatic discharge	EN 61000-4-2
- Radiated radiofrequency	EN 61000-4-3
- Burst immunity	EN 61000-4-4
- Surge	EN 61000-4-5
- Conducted radio frequency	EN 61000-4-6
- Power frequency magnetic fields	EN 61000-4-8
- Voltage drops, variations, interruptions	EN 61000-4-11
Emission	EN 61000-6-3
- Conducted and radiated emissions	
- Conducted emissions	CISPR 22 (EN55022), cl. B
- Radiated emissions	CISPR 16-2-1 (EN55016-2-1) CISPR 16-2-3 (EN55016-2-3)

Input Specifications

Inputs	2 contacts
Input current	Min. 15 µA
Input current peak	20 mA
Input voltage drop	≤ 1 V
Input pulse prolongation	min. 272 msec.
Cable length	≤ 0.2 m
Dielectric voltage	
Inputs - Dupline®	None
Response time	≤ 1 pulse train

Supply Specifications

Power Supply	Supplied by Dupline®
Rated operational current	
Unactivated	Typ. < 640 µA @ 128 channels
Activated (all inputs)	Typ. 740 µA @ 128 channels



Wire Connections

Function	Terminal/Cable colour
Bus D+	Brown
Bus D-	Blue
Dupline programming	Black*
Input 1	Black
Input 2	Brown
Com	Blue

Cable marked with black

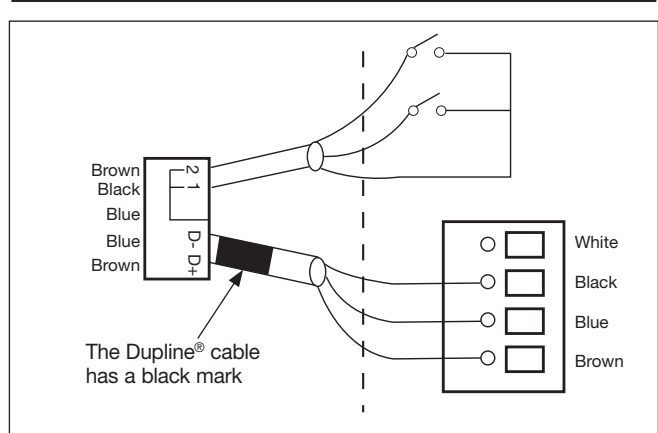
***Note:** To avoid noise in Dupline, the Dupline programming wire must not be connected to D- until after the module has been programmed.

Accessories

Programming adaptor

Adapt 1605

Wiring Diagram



X-ON Electronics

Largest Supplier of Electrical and Electronic Components

Click to view similar products for [I/O Modules](#) category:

Click to view products by [Carlo Gavazzi](#) manufacturer:

Other Similar products are found below :

[70L-IDC5S](#) [70L-OAC-L](#) [70Z3289-4](#) [G21960000700](#) [G21960002700](#) [G34960002700](#) [G88104401](#) [OACU](#) [C4SWOUT](#) [PB16H](#)
[G34960001700](#) [G3TA-OA101SZ-1](#) [DC24](#) [G77-S](#) [G78-16-E](#) [DA5](#) [IDC5P](#) [FC6A-N16B1](#) [6421](#) [70MRCQ32-HL](#) [G3TAOD201SDC24](#)
[C200H-LK201-V1](#) [G3TA-OA202SZ-US](#) [DC12](#) [GT1-OD16](#) [GT1-AD04CST](#) [GT1-DA04](#) [B7AM-6BS](#) [70GRCQ24-HS](#) [6422](#) [84110410](#) [GT1-](#)
[OD16MX](#) [G7VC-OC16-B7](#) [70MRCK24-DIN](#) [6202](#) [6402](#) [PI/NI-2D/24](#) [FC6A-J2C1](#) [FC6A-KC1C](#) [FC6A-R081](#) [FC6A-J8CU1](#)
[GP32900003700](#) [641-480-5022](#) [PB16H](#) [84145010](#) [84110210](#) [FRUSB1601](#) [PCL-720+-BE](#) [AP24MX3DB25F](#) [ADAM-5053S-AE](#) [WISE-](#)
[S614-A](#) [C200H-OD211](#)