

Input module Type G 8810 4401



- Small-sized 4-channel monostable transmitter
- 4 contact inputs for pushbuttons
- Input pulse prolongation
- Compact housing
- Dupline® supplied
- Address coding by GAP 1605

Product Description

Dupline® transmitter designed to be a part of the Dupline® Building Automation concept. It allows a flexible installation concept in existing/traditional light switches. The compact size of the module makes it

possible to fit it in a junction box or directly behind a switch/pushbutton input. On the input, there is a built-in pulse-prolongation which ensures that even short input pulses are transmitted.

Type Selection

Supply	Ordering no.
By Dupline®	G8810 4401

Input Specifications

Inputs	4 contacts
Input current	50 µA
Input current peak	20 mA
Input voltage drop	≤ 1 V
Input pulse prolongation	min. 272 msec.
Cable length	≤ 0.2 m
Dielectric voltage	
Inputs - Dupline®	None
Response time	≤ 1 pulse train

Supply Specifications

Power Supply	Supplied by Dupline®
Rated operational current	
Unactivated	Typ. 1 mA @ 128 channels
Activated (all inputs)	Typ. 1.4 mA @ 128 channels

General Specifications

Environment	
Operating temperature	0 to +50°C (+32° to +122°F)
Storage temperature	-20 to +70°C (-4° to + 158°F)
Humidity (non-condensing)	20 - 80%
Housing	
Material	Noryl GFN 1, Black
Dimensions (h x w x d)	28 x 28 x 10 mm
Max size of wire in Dupline® terminals	1.5 mm ²

Ordering Key

G 8810 4401

Type: Dupline®	
Housing	
Transmitter	
Number of Inputs	
Input type	

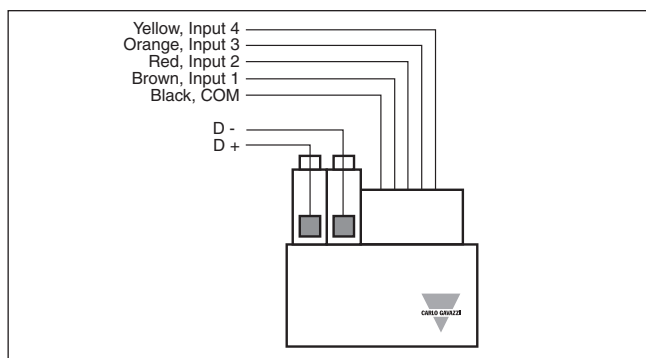
Mode of Operation

The input addresses may be coded by means of the programming unit GAP 1605, with GAP-TPH-CAB cable + pin-adaptor.

Wire Connections

Function	Terminal/Cable colour
Bus	D +
	D -
COM	Black
Input 1	Brown
Input 2	Red
Input 3	Orange
Input 4	Yellow

Wiring Diagram



Accessories

Programming cable to GAP 1605	GAP-TPH-CAB
-------------------------------	-------------

X-ON Electronics

Largest Supplier of Electrical and Electronic Components

Click to view similar products for [I/O Modules](#) category:

Click to view products by [Carlo Gavazzi](#) manufacturer:

Other Similar products are found below :

[70L-IDC5S](#) [70L-OAC-L](#) [70Z3289-4](#) [G21960000700](#) [G21960002700](#) [G34960002700](#) [G88104401](#) [OACU](#) [C4SWOUT](#) [PB16H](#)
[G34960001700](#) [G3TA-OA101SZ-1](#) [DC24](#) [G77-S](#) [G78-16-E](#) [DA5](#) [IDC5P](#) [FC6A-N16B1](#) [6421](#) [70MRCQ32-HL](#) [G3TAOD201SDC24](#)
[C200H-LK201-V1](#) [G3TA-OA202SZ-US](#) [DC12](#) [GT1-OD16](#) [GT1-AD04CST](#) [GT1-DA04](#) [B7AM-6BS](#) [70GRCQ24-HS](#) [6422](#) [84110410](#) [GT1-](#)
[OD16MX](#) [G7VC-OC16-B7](#) [70MRCK24-DIN](#) [6202](#) [6402](#) [PI/NI-2D/24](#) [FC6A-J2C1](#) [FC6A-KC1C](#) [FC6A-R081](#) [FC6A-J8CU1](#)
[GP32900003700](#) [641-480-5022](#) [PB16H](#) [84145010](#) [84110210](#) [FRUSB1601](#) [PCL-720+-BE](#) [FRRJ451601](#) [AP24MX3DB25F](#) [ADAM-5053S-](#)
[AE](#) [WISE-S614-A](#)