

# Dupline® Transmitter with Built-in Temperature Sensor Type G 8911 1010

CARLO GAVAZZI



- AnaLink temperature transmitter with built-in Pt 1000 sensor
- Temperature range: -30°C to +60°C (-22° to +140°F)
- Uses only 1 channel
- Channel coding by GAP 1605
- M12 connection
- Easily mountable
- Supplied by Dupline®

## Product Description

The sensor is mounted right at the location where the temperature is to be measured, e.g. freezer cabinets in super markets, cold storage rooms

etc. The sensor measures the temperature and transmits the value to the controller G 3890 0030, which then performs the logging and alarming.

## Type Selection

Supply **Ordering no. 1 channel Pt 1000 sensor**

By Dupline® **G 8911 1010**

## Supply Specifications

**Power supply**  
Rated operational current **Supplied by Dupline®  
Typ. 800 µA**

## Ordering Key

**G 8911 1010**

Type: Dupline®  
Type

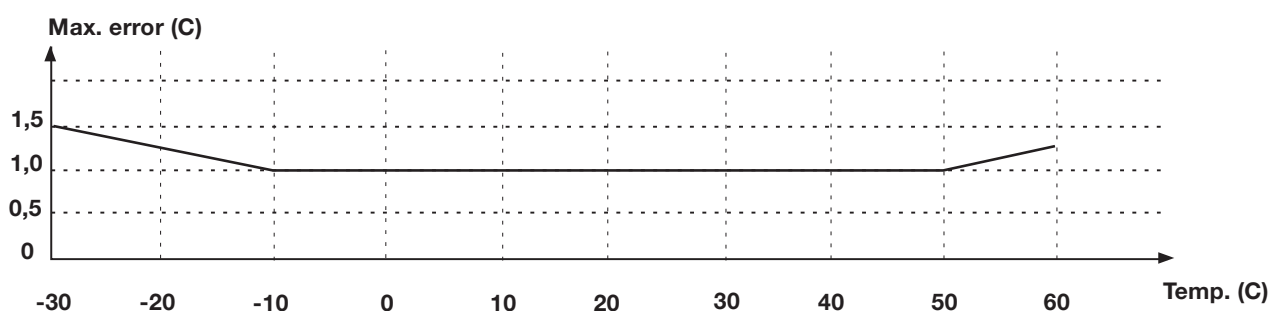
## General Specifications

<b>Channel programming</b>	By GAP 1605
<b>Channel assignment</b>	1 channel, freely programmable
<b>Environment</b>	IP 67
Degree of protection	IP 67
Operating temperature	-30° to +60°C (-22° to +140°F)
Storage temperature	-55° to +85°C (-67° to +185°F)
<b>Mechanical resistance</b>	
Shock	15 G (11 ms)
Vibration	2 G (6 to 55 Hz)
<b>Connection</b>	M12 plug
<b>Housing</b>	Flat-pack
Material	Housing: Polycarbonate Plug: Nylon
Colour	Light grey
Dimensions (l x w x d)	67 x 35 x 15 mm
Mounting	Direct wall mounting*)

\*) To measure the air temperature, the sensor should not be wall-mounted, but should be exposed to air flow.

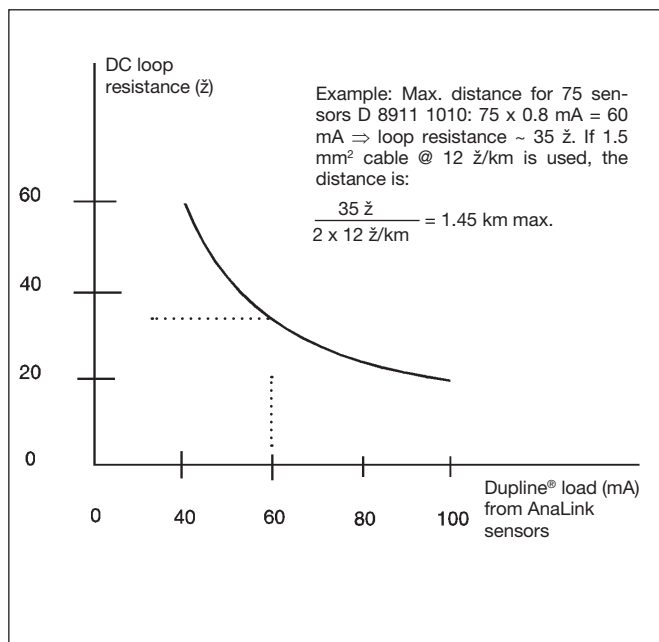
## Sensor Specifications

<b>Sensor</b>	Pt 1000 (built-in)	<b>Time constant</b>	Typ. 450 s (air flow = 0 m/s) Typ. 350 s (air flow = 1 m/s)
Temperature measuring range	-30 to +60°C (-22 to +140°F)	<b>Resolution</b>	8 bits (approx. 0.35 K/LSB)
Temperature probe	Pt 1000 (built-in)		
Accuracy	See curve below		

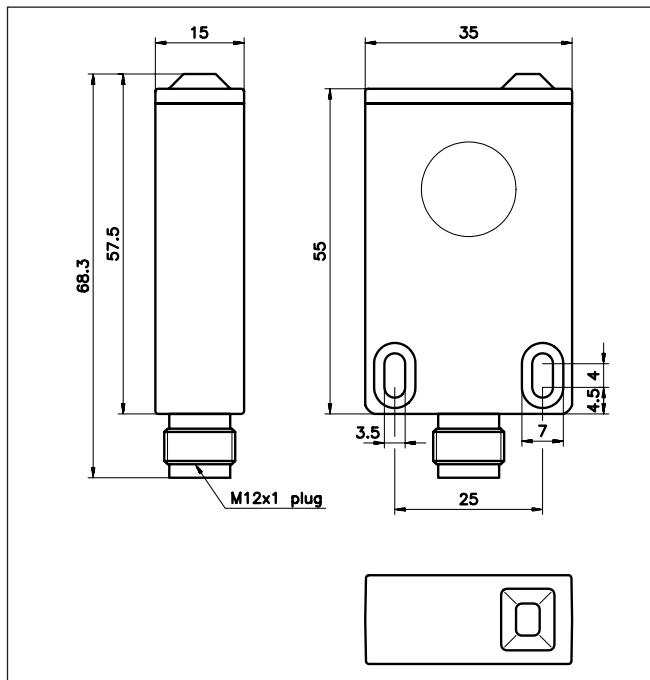




## Distance versus No. of Sensors



## Dimensions



## Connections

- |  |                        |
|--|------------------------|
| M12 plug with terminals                                    | Pin 1: Dupline® D+     |
|  | Pin 4: D-              |
| Standard cable with M12 plug (IEC 60947-5-2) with 4 wires: | Brown: Dupline® (1) D+ |
|  | Black: (4) D-          |
|  | Blue: (3) D-           |
|  | White: (2) D-          |
| with 3 wires (1-3-4):                                      | Brown: Dupline® (1) D+ |
|  | Black: (4) D-          |
|  | Blue: (3) D-           |
| with 2 wires (1-4)   | Brown: Dupline® (1) D+ |
|  | Blue: D-               |

**Note:** All wires **must** be connected.

## Accessories

- |                          |              |
|--------------------------|--------------|
| Coding cable             | GTS-CAB*     |
| Angular M12 plug         | CONM14NF-A   |
| Straight M12 plug        | CONM14NF-S   |
| Cable with angular plug  | CONM13NF-A** |
| Cable with straight plug | CONM13NF-S** |

\* Delivered with the G 3890 0030.

\*\* Indicate length 2 m or 5 m.

## X-ON Electronics

Largest Supplier of Electrical and Electronic Components

*Click to view similar products for [Sensor Cables / Actuator Cables](#) category:*

*Click to view products by [Carlo Gavazzi](#) manufacturer:*

Other Similar products are found below :

[60963](#) [60964](#) [6R3006A29F060](#) [703000D02F2002](#) [703001D02F0602](#) [703001D02F300](#) [704000D02F120](#) [773032K02F030](#) [802027107404-1](#)  
[802027213811-1](#) [804001A09M150](#) [805001A09M0502](#) [84914-0235](#) [84914-0237](#) [885030A09M020](#) [8R4J30E03C3003](#) [1200651332](#)  
[1200651713](#) [1200660844](#) [1200660845](#) [1200661173](#) [1200680071](#) [1200720053](#) [1200720081](#) [1200720099](#) [1200720217](#) [1200800231](#)  
[1200860125](#) [1200870123](#) [1200980102](#) [1200650267](#) [1200650298](#) [1200660183](#) [1200660782](#) [1200660849](#) [1200661295](#) [1200661297](#)  
[1200661342](#) [1200661343](#) [1200670080](#) [1200670220](#) [1200680331](#) [1200720252](#) [1200730184](#) [1200860344](#) [1200870359](#) [1200870643](#)  
[1200980008](#) [1200980031](#) [1210502211](#)