

Dupline® Transmitter with Built-in Temperature Sensor Type G 8911 1010

CARLO GAVAZZI



- AnaLink temperature transmitter with built-in Pt 1000 sensor
- Temperature range: -30°C to +60°C (-22° to +140°F)
- Uses only 1 channel
- Channel coding by GAP 1605
- M12 connection
- Easily mountable
- Supplied by Dupline®

Product Description

The sensor is mounted right at the location where the temperature is to be measured, e.g. freezer cabinets in super markets, cold storage rooms

etc. The sensor measures the temperature and transmits the value to the controller G 3890 0030, which then performs the logging and alarming.

Type Selection

| | |
|-------------|---|
| Supply | Ordering no. 1 channel Pt 1000 sensor |
| By Dupline® | G 8911 1010 |

Supply Specifications

| | |
|---------------------------|----------------------|
| Power supply | Supplied by Dupline® |
| Rated operational current | Typ. 800 µA |

Ordering Key

G 8911 1010

Type: Dupline®
Type

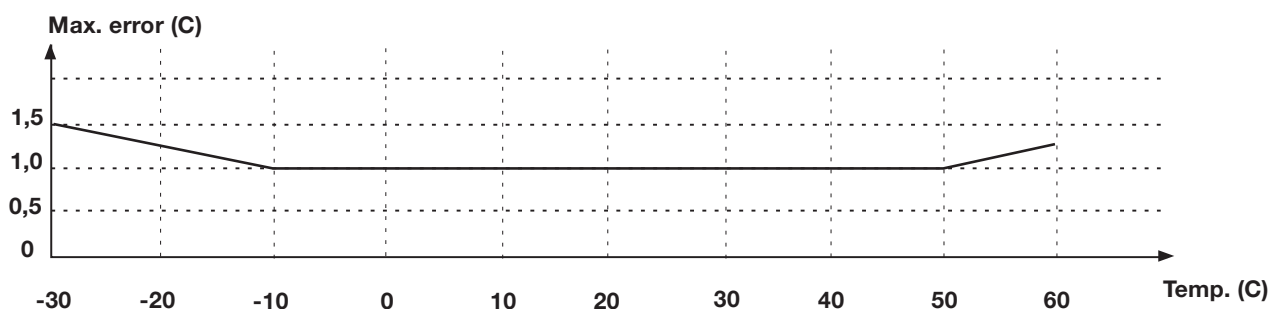
General Specifications

| | |
|------------------------|--|
| Channel programming | By GAP 1605 |
| Channel assignment | 1 channel, freely programmable |
| Environment | IP 67 |
| Operating temperature | -30° to +60°C (-22° to +140°F) |
| Storage temperature | -55° to +85°C (-67° to +185°F) |
| Mechanical resistance | Shock 15 G (11 ms) Vibration 2 G (6 to 55 Hz) |
| Connection | M12 plug |
| Housing | Flat-pack |
| Material | Housing Polycarbonate Plug Nylon |
| Colour | Light grey |
| Dimensions (l x w x d) | 67 x 35 x 15 mm |
| Mounting | Direct wall mounting*) |

*) To measure the air temperature, the sensor should not be wall-mounted, but should be exposed to air flow.

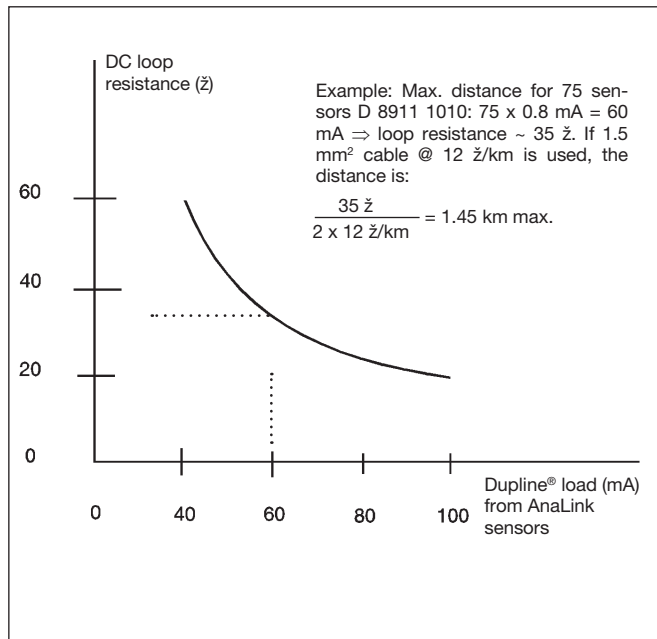
Sensor Specifications

| | | | |
|-----------------------------|------------------------------|---------------|----------------------------------|
| Sensor | Pt 1000 (built-in) | Time constant | Typ. 450 s (air flow = 0 m/s) |
| Temperature measuring range | -30 to +60°C (-22 to +140°F) | Resolution | Typ. 350 s (air flow = 1 m/s) |
| Temperature probe | Pt 1000 (built-in) | | 8 bits (approx. 0.35 K/LSB) |
| Accuracy | See curve below | | |

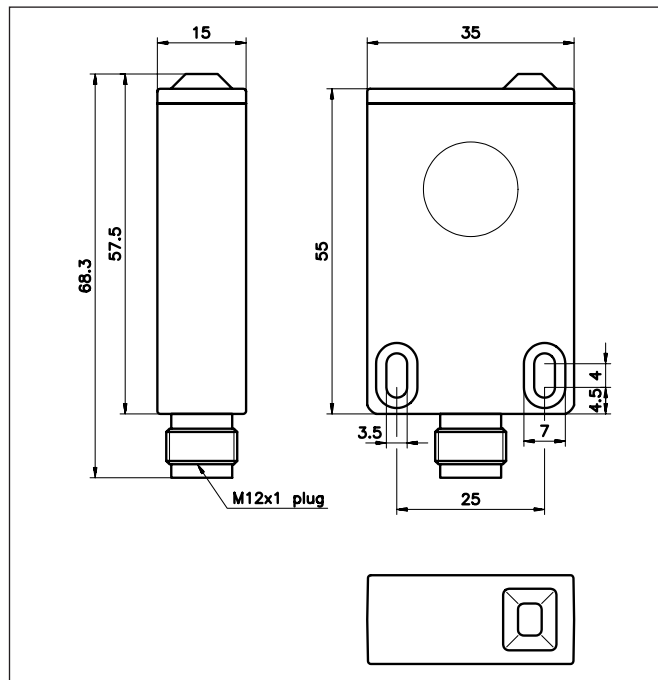




Distance versus No. of Sensors



Dimensions



Connections

M12 plug with terminals

Pin 1: Dupline® D+
Pin 4: D-

Standard cable with M12 plug (IEC 60947-5-2) with 4 wires:

Brown: Dupline® (1) D+
Black: (4) D-
Blue: (3) D-
White: (2) D-

with 3 wires (1-3-4):

Brown: Dupline® (1) D+
Black: (4) D-
Blue: (3) D-

with 2 wires (1-4)

Brown: Dupline® (1) D+
Blue: D-

Note: All wires **must** be connected.

Accessories

| | |
|--------------------------|--------------|
| Coding cable | GTS-CAB* |
| Angular M12 plug | CONM14NF-A |
| Straight M12 plug | CONM14NF-S |
| Cable with angular plug | CONM13NF-A** |
| Cable with straight plug | CONM13NF-S** |

* Delivered with the G 3890 0030.

** Indicate length 2 m or 5 m.

X-ON Electronics

Largest Supplier of Electrical and Electronic Components

Click to view similar products for [Specialised Cables category](#):

Click to view products by [Carlo Gavazzi manufacturer](#):

Other Similar products are found below :

[GP-IE515546DS-002](#) [96CB-L2020PIB2](#) [1200740161](#) [R88ACAKA0015SRE](#) [R88ACAWL005SDE](#) [R88ACRGD0R3C](#) [1300660042](#)
[1300660201](#) [1971465-2](#) [22733-8](#) [2R7004A20F060](#) [SSL009PC2DC012N](#) [FC2A-KC6C](#) [CCSFCBF2](#) [R7ACAB005S](#) [XS2WM12PUR4SA10M](#)
[XS2WM12PVC4SA10M](#) [05AU05](#) [UCABLE](#) [10114734-2010LF](#) [XW2Z010H3](#) [XW2Z010H1](#) [5-1589827-8](#) [5-1589827-4](#) [861084-1](#)
[XW2Z200JB24](#) [5-1589956-8](#) [CR4000A76M020](#) [1201140211](#) [1300140039](#) [CR4000A76M005](#) [CR4006A76M005](#) [10077488-N0550FDLF](#)
[XW2ZRY150C](#) [I4JPBJLUXX100](#) [I4JPBJLUXX50](#) [CM06](#) [CM06W](#) [POE004](#) [0243 009 05](#) [0243 009 20](#) [0243 009 36](#) [0243 009 26](#) [0243 009](#)
[23](#) [0243 009 01](#) [0243 009 30](#) [0243 008 05](#) [0243 008 20](#) [0243 008 36](#) [0243 008 23](#)