

# Miniature Circuit Breakers Type GMB63



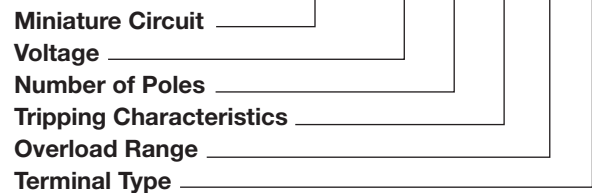
- Protection of circuits against short circuit and overload conditions
- UL489 branch circuit protection
- 1, 2, 3 pole arrangements
- 22 amperage sizes up to 63Amps
- Icn of 10kA
- Bimetallic element for small overloads
- Magnetic element for short circuit protection
- 240VAC and 480 Y / 277VAC versions
- Lug or screw terminals
- Line of accessories

## Product Description

Competitive line of UL 489 miniature circuit breakers for 240VAC and 480Y/277VAC application where supplementary or branch circuit protection is required. GMB63 miniature circuit breakers are available in 1, 2 and 3 pole configurations, with amperage rating up to 63A.

## Ordering Key

**GMB63 H 1P C 20 R**



## Selection Guide (Refer to page 2 for list of valid part numbers)

| MCB                 | Voltage                                    | Number of Poles  | Tripping Characteristics                                       | Overload Range   | Terminal Type  |
|---------------------|--|--|--|--|--|
| <b>GMB63 Family</b> | <b>Blank- 240V</b><br><b>H - 480Y/277V</b> | <b>1P - 1 pole</b><br><b>2P - 2 pole</b><br><b>3P - 3 pole</b> | <b>B - B curve</b><br><b>C - C curve</b><br><b>D - D curve</b> | <b>0.5A, 1A, 1.6A, 2A</b><br><b>3A, 4A, 5A, 6A, 8A</b><br><b>10A, 13A, 15A, 16A,</b><br><b>20A, 25A, 30A, 32A,</b><br><b>35A, 40A, 50A, 60A,</b><br><b>63A</b> | <b>Blank - lug</b><br><b>(standard)</b><br><b>R - ring</b> |

Part numbers in bold font indicate stock item

Specifications are subject to change without notice — Feb 27, 2018

## Selection Guide

### 240VAC; 60/125VDC 10kA, B Curve

| Amperage | Lug Terminal |             |             | Ring Terminal |              |              |
|----------|--------------|-------------|-------------|---------------|--------------|--------------|
|          | 1 Pole       | 2 Pole      | 3 Pole      | 1 Pole        | 2 Pole       | 3 Pole       |
| 0.5      | GMB631PB0.5  | GMB632PB0.5 | GMB633PB0.5 | GMB631PB0.5R  | GMB632PB0.5R | GMB633PB0.5R |
| 1        | GMB631PB1    | GMB632PB1   | GMB633PB1   | GMB631PB1R    | GMB632PB1R   | GMB633PB1R   |
| 1.6      | GMB631PB1.6  | GMB632PB1.6 | GMB633PB1.6 | GMB631PB1.6R  | GMB632PB1.6R | GMB633PB1.6R |
| 2        | GMB631PB2    | GMB632PB2   | GMB633PB2   | GMB631PB2R    | GMB632PB2R   | GMB633PB2R   |
| 3        | GMB631PB3    | GMB632PB3   | GMB633PB3   | GMB631PB3R    | GMB632PB3R   | GMB633PB3R   |
| 4        | GMB631PB4    | GMB632PB4   | GMB633PB4   | GMB631PB4R    | GMB632PB4R   | GMB633PB4R   |
| 5        | GMB631PB5    | GMB632PB5   | GMB633PB5   | GMB631PB5R    | GMB632PB5R   | GMB633PB5R   |
| 6        | GMB631PB6    | GMB632PB6   | GMB633PB6   | GMB631PB6R    | GMB632PB6R   | GMB633PB6R   |
| 8        | GMB631PB8    | GMB632PB8   | GMB633PB8   | GMB631PB8R    | GMB632PB8R   | GMB633PB8R   |
| 10       | GMB631PB10   | GMB632PB10  | GMB633PB10  | GMB631PB10R   | GMB632PB10R  | GMB633PB10R  |
| 13       | GMB631PB13   | GMB632PB13  | GMB633PB13  | GMB631PB13R   | GMB632PB13R  | GMB633PB13R  |
| 15       | GMB631PB15   | GMB632PB15  | GMB633PB15  | GMB631PB15R   | GMB632PB15R  | GMB633PB15R  |
| 16       | GMB631PB16   | GMB632PB16  | GMB633PB16  | GMB631PB16R   | GMB632PB16R  | GMB633PB16R  |
| 20       | GMB631PB20   | GMB632PB20  | GMB633PB20  | GMB631PB20R   | GMB632PB20R  | GMB633PB20R  |
| 25       | GMB631PB25   | GMB632PB25  | GMB633PB25  | GMB631PB25R   | GMB632PB25R  | GMB633PB25R  |
| 30       | GMB631PB30   | GMB632PB30  | GMB633PB30  | GMB631PB30R   | GMB632PB30R  | GMB633PB30R  |
| 32       | GMB631PB32   | GMB632PB32  | GMB633PB32  | GMB631PB32R   | GMB632PB32R  | GMB633PB32R  |
| 35       | GMB631PB35   | GMB632PB35  | GMB633PB35  | GMB631PB35R   | GMB632PB35R  | GMB633PB35R  |
| 40       | GMB631PB40   | GMB632PB40  | GMB633PB40  | GMB631PB40R   | GMB632PB40R  | GMB633PB40R  |
| 50       | GMB631PB50   | GMB632PB50  | GMB633PB50  | -             | -            | -            |
| 60       | GMB631PB60   | GMB632PB60  | GMB633PB60  | -             | -            | -            |
| 63       | GMB631PB63   | GMB632PB63  | GMB633PB63  | -             | -            | -            |

### 480Y/277VAB 10kA, B Curve

| Amperage | Lug Terminal |              |              | Ring Terminal |               |               |
|----------|--------------|--------------|--------------|---------------|---------------|---------------|
|          | 1 Pole       | 2 Pole       | 3 Pole       | 1 Pole        | 2 Pole        | 3 Pole        |
| 0.5      | GMB63H1PB0.5 | GMB63H2PB0.5 | GMB63H3PB0.5 | GMB63H1PB0.5R | GMB63H2PB0.5R | GMB63H3PB0.5R |
| 1        | GMB63H1PB1   | GMB63H2PB1   | GMB63H3PB1   | GMB63H1PB1R   | GMB63H2PB1R   | GMB63H3PB1R   |
| 1.6      | GMB63H1PB1.6 | GMB63H2PB1.6 | GMB63H3PB1.6 | GMB63H1PB1.6R | GMB63H2PB1.6R | GMB63H3PB1.6R |
| 2        | GMB63H1PB2   | GMB63H2PB2   | GMB63H3PB2   | GMB63H1PB2R   | GMB63H2PB2R   | GMB63H3PB2R   |
| 3        | GMB63H1PB3   | GMB63H2PB3   | GMB63H3PB3   | GMB63H1PB3R   | GMB63H2PB3R   | GMB63H3PB3R   |
| 4        | GMB63H1PB4   | GMB63H2PB4   | GMB63H3PB4   | GMB63H1PB4R   | GMB63H2PB4R   | GMB63H3PB4R   |
| 5        | GMB63H1PB5   | GMB63H2PB5   | GMB63H3PB5   | GMB63H1PB5R   | GMB63H2PB5R   | GMB63H3PB5R   |
| 6        | GMB63H1PB6   | GMB63H2PB6   | GMB63H3PB6   | GMB63H1PB6R   | GMB63H2PB6R   | GMB63H3PB6R   |
| 8        | GMB63H1PB8   | GMB63H2PB8   | GMB63H3PB8   | GMB63H1PB8R   | GMB63H2PB8R   | GMB63H3PB8R   |
| 10       | GMB63H1PB10  | GMB63H2PB10  | GMB63H3PB10  | GMB63H1PB10R  | GMB63H2PB10R  | GMB63H3PB10R  |
| 13       | GMB63H1PB13  | GMB63H2PB13  | GMB63H3PB13  | GMB63H1PB13R  | GMB63H2PB13R  | GMB63H3PB13R  |
| 15       | GMB63H1PB15  | GMB63H2PB15  | GMB63H3PB15  | GMB63H1PB15R  | GMB63H2PB15R  | GMB63H3PB15R  |
| 16       | GMB63H1PB16  | GMB63H2PB16  | GMB63H3PB16  | GMB63H1PB16R  | GMB63H2PB16R  | GMB63H3PB16R  |
| 20       | GMB63H1PB20  | GMB63H2PB20  | GMB63H3PB20  | GMB63H1PB20R  | GMB63H2PB20R  | GMB63H3PB20R  |
| 25       | GMB63H1PB25  | GMB63H2PB25  | GMB63H3PB25  | GMB63H1PB25R  | GMB63H2PB25R  | GMB63H3PB25R  |
| 30       | GMB63H1PB30  | GMB63H2PB30  | GMB63H3PB30  | GMB63H1PB30R  | GMB63H2PB30R  | GMB63H3PB30R  |
| 32       | GMB63H1PB32  | GMB63H2PB32  | GMB63H3PB32  | GMB63H1PB32R  | GMB63H2PB32R  | GMB63H3PB32R  |

Part numbers in bold font indicate stock code A items.

All other part numbers are stock code D.

## Selection Guide

### 240VAC; 60/125VDC 10kA, C curve

| Amperage | Lug Terminal       |                    |                    | Ring Terminal |              |              |
|----------|--------------------|--------------------|--------------------|---------------|--------------|--------------|
|          | 1 Pole             | 2 Pole             | 3 Pole             | 1 Pole        | 2 Pole       | 3 Pole       |
| 0.5      | <b>GMB631PC0.5</b> | <b>GMB632PC0.5</b> | <b>GMB633PC0.5</b> | GMB631PC0.5R  | GMB632PC0.5R | GMB633PC0.5R |
| 1        | <b>GMB631PC1</b>   | <b>GMB632PC1</b>   | <b>GMB633PC1</b>   | GMB631PC1R    | GMB632PC1R   | GMB633PC1R   |
| 1.6      | <b>GMB631PC1.6</b> | <b>GMB632PC1.6</b> | <b>GMB633PC1.6</b> | GMB631PC1.6R  | GMB632PC1.6R | GMB633PC1.6R |
| 2        | <b>GMB631PC2</b>   | <b>GMB632PC2</b>   | <b>GMB633PC2</b>   | GMB631PC2R    | GMB632PC2R   | GMB633PC2R   |
| 3        | <b>GMB631PC3</b>   | <b>GMB632PC3</b>   | <b>GMB633PC3</b>   | GMB631PC3R    | GMB632PC3R   | GMB633PC3R   |
| 4        | <b>GMB631PC4</b>   | <b>GMB632PC4</b>   | <b>GMB633PC4</b>   | GMB631PC4R    | GMB632PC4R   | GMB633PC4R   |
| 5        | <b>GMB631PC5</b>   | <b>GMB632PC5</b>   | <b>GMB633PC5</b>   | GMB631PC5R    | GMB632PC5R   | GMB633PC5R   |
| 6        | <b>GMB631PC6</b>   | <b>GMB632PC6</b>   | <b>GMB633PC6</b>   | GMB631PC6R    | GMB632PC6R   | GMB633PC6R   |
| 8        | <b>GMB631PC8</b>   | <b>GMB632PC8</b>   | <b>GMB633PC8</b>   | GMB631PC8R    | GMB632PC8R   | GMB633PC8R   |
| 10       | <b>GMB631PC10</b>  | <b>GMB632PC10</b>  | <b>GMB633PC10</b>  | GMB631PC10R   | GMB632PC10R  | GMB633PC10R  |
| 13       | <b>GMB631PC13</b>  | <b>GMB632PC13</b>  | <b>GMB633PC13</b>  | GMB631PC13R   | GMB632PC13R  | GMB633PC13R  |
| 15       | <b>GMB631PC15</b>  | <b>GMB632PC15</b>  | <b>GMB633PC15</b>  | GMB631PC15R   | GMB632PC15R  | GMB633PC15R  |
| 16       | <b>GMB631PC16</b>  | <b>GMB632PC16</b>  | <b>GMB633PC16</b>  | GMB631PC16R   | GMB632PC16R  | GMB633PC16R  |
| 20       | <b>GMB631PC20</b>  | <b>GMB632PC20</b>  | <b>GMB633PC20</b>  | GMB631PC20R   | GMB632PC20R  | GMB633PC20R  |
| 25       | <b>GMB631PC25</b>  | <b>GMB632PC25</b>  | <b>GMB633PC25</b>  | GMB631PC25R   | GMB632PC25R  | GMB633PC25R  |
| 30       | <b>GMB631PC30</b>  | <b>GMB632PC30</b>  | <b>GMB633PC30</b>  | GMB631PC30R   | GMB632PC30R  | GMB633PC30R  |
| 32       | <b>GMB631PC32</b>  | <b>GMB632PC32</b>  | <b>GMB633PC32</b>  | GMB631PC32R   | GMB632PC32R  | GMB633PC32R  |
| 35       | <b>GMB631PC35</b>  | <b>GMB632PC35</b>  | <b>GMB633PC35</b>  | GMB631PC35R   | GMB632PC35R  | GMB633PC35R  |
| 40       | <b>GMB631PC40</b>  | <b>GMB632PC40</b>  | <b>GMB633PC40</b>  | GMB631PC40R   | GMB632PC40R  | GMB633PC40R  |
| 50       | <b>GMB631PC50</b>  | <b>GMB632PC50</b>  | <b>GMB633PC50</b>  | -             | -            | -            |
| 60       | <b>GMB631PC60</b>  | <b>GMB632PC60</b>  | <b>GMB633PC60</b>  | -             | -            | -            |
| 63       | <b>GMB631PC63</b>  | <b>GMB632PC63</b>  | <b>GMB633PC63</b>  | -             | -            | -            |

### 480Y/277VAC 10kA, C curve

| Amperage | Lug Terminal        |                     |                     | Ring Terminal |               |               |
|----------|---------------------|---------------------|---------------------|---------------|---------------|---------------|
|          | 1 Pole              | 2 Pole              | 3 Pole              | 1 Pole        | 2 Pole        | 3 Pole        |
| 0.5      | <b>GMB63H1PC0.5</b> | <b>GMB63H2PC0.5</b> | <b>GMB63H3PC0.5</b> | GMB63H1PC0.5R | GMB63H2PC0.5R | GMB63H3PC0.5R |
| 1        | <b>GMB63H1PC1</b>   | <b>GMB63H2PC1</b>   | <b>GMB63H3PC1</b>   | GMB63H1PC1R   | GMB63H2PC1R   | GMB63H3PC1R   |
| 1.6      | <b>GMB63H1PC1.6</b> | <b>GMB63H2PC1.6</b> | <b>GMB63H3PC1.6</b> | GMB63H1PC1.6R | GMB63H2PC1.6R | GMB63H3PC1.6R |
| 2        | <b>GMB63H1PC2</b>   | <b>GMB63H2PC2</b>   | <b>GMB63H3PC2</b>   | GMB63H1PC2R   | GMB63H2PC2R   | GMB63H3PC2R   |
| 3        | <b>GMB63H1PC3</b>   | <b>GMB63H2PC3</b>   | <b>GMB63H3PC3</b>   | GMB63H1PC3R   | GMB63H2PC3R   | GMB63H3PC3R   |
| 4        | <b>GMB63H1PC4</b>   | <b>GMB63H2PC4</b>   | <b>GMB63H3PC4</b>   | GMB63H1PC4R   | GMB63H2PC4R   | GMB63H3PC4R   |
| 5        | <b>GMB63H1PC5</b>   | <b>GMB63H2PC5</b>   | <b>GMB63H3PC5</b>   | GMB63H1PC5R   | GMB63H2PC5R   | GMB63H3PC5R   |
| 6        | <b>GMB63H1PC6</b>   | <b>GMB63H2PC6</b>   | <b>GMB63H3PC6</b>   | GMB63H1PC6R   | GMB63H2PC6R   | GMB63H3PC6R   |
| 8        | <b>GMB63H1PC8</b>   | <b>GMB63H2PC8</b>   | <b>GMB63H3PC8</b>   | GMB63H1PC8R   | GMB63H2PC8R   | GMB63H3PC8R   |
| 10       | <b>GMB63H1PC10</b>  | <b>GMB63H2PC10</b>  | <b>GMB63H3PC10</b>  | GMB63H1PC10R  | GMB63H2PC10R  | GMB63H3PC10R  |
| 13       | <b>GMB63H1PC13</b>  | <b>GMB63H2PC13</b>  | <b>GMB63H3PC13</b>  | GMB63H1PC13R  | GMB63H2PC13R  | GMB63H3PC13R  |
| 15       | <b>GMB63H1PC15</b>  | <b>GMB63H2PC15</b>  | <b>GMB63H3PC15</b>  | GMB63H1PC15R  | GMB63H2PC15R  | GMB63H3PC15R  |
| 16       | <b>GMB63H1PC16</b>  | <b>GMB63H2PC16</b>  | <b>GMB63H3PC16</b>  | GMB63H1PC16R  | GMB63H2PC16R  | GMB63H3PC16R  |
| 20       | <b>GMB63H1PC20</b>  | <b>GMB63H2PC20</b>  | <b>GMB63H3PC20</b>  | GMB63H1PC20R  | GMB63H2PC20R  | GMB63H3PC20R  |
| 25       | <b>GMB63H1PC25</b>  | <b>GMB63H2PC25</b>  | <b>GMB63H3PC25</b>  | GMB63H1PC25R  | GMB63H2PC25R  | GMB63H3PC25R  |
| 30       | <b>GMB63H1PC30</b>  | <b>GMB63H2PC30</b>  | <b>GMB63H3PC30</b>  | GMB63H1PC30R  | GMB63H2PC30R  | GMB63H3PC30R  |
| 32       | <b>GMB63H1PC32</b>  | <b>GMB63H2PC32</b>  | <b>GMB63H3PC32</b>  | GMB63H1PC32R  | GMB63H2PC32R  | GMB63H3PC32R  |

Part numbers in bold font indicate stock code A items.

All other part numbers are stock code D.

## Selection Guide

### 240VAC; 60/125VDC 10kA, D Curve

| Amperage | Lug Terminal |             |             | Ring Terminal |              |              |
|----------|--------------|-------------|-------------|---------------|--------------|--------------|
|          | 1 Pole       | 2 Pole      | 3 Pole      | 1 Pole        | 2 Pole       | 3 Pole       |
| 0.5      | GMB631PD0.5  | GMB632PD0.5 | GMB633PD0.5 | GMB631PD0.5R  | GMB632PD0.5R | GMB633PD0.5R |
| 1        | GMB631PD1    | GMB632PD1   | GMB633PD1   | GMB631PD1R    | GMB632PD1R   | GMB633PD1R   |
| 1.6      | GMB631PD1.6  | GMB632PD1.6 | GMB633PD1.6 | GMB631PD1.6R  | GMB632PD1.6R | GMB633PD1.6R |
| 2        | GMB631PD2    | GMB632PD2   | GMB633PD2   | GMB631PD2R    | GMB632PD2R   | GMB633PD2R   |
| 3        | GMB631PD3    | GMB632PD3   | GMB633PD3   | GMB631PD3R    | GMB632PD3R   | GMB633PD3R   |
| 4        | GMB631PD4    | GMB632PD4   | GMB633PD4   | GMB631PD4R    | GMB632PD4R   | GMB633PD4R   |
| 5        | GMB631PD5    | GMB632PD5   | GMB633PD5   | GMB631PD5R    | GMB632PD5R   | GMB633PD5R   |
| 6        | GMB631PD6    | GMB632PD6   | GMB633PD6   | GMB631PD6R    | GMB632PD6R   | GMB633PD6R   |
| 8        | GMB631PD8    | GMB632PD8   | GMB633PD8   | GMB631PD8R    | GMB632PD8R   | GMB633PD8R   |
| 10       | GMB631PD10   | GMB632PD10  | GMB633PD10  | GMB631PD10R   | GMB632PD10R  | GMB633PD10R  |
| 13       | GMB631PD13   | GMB632PD13  | GMB633PD13  | GMB631PD13R   | GMB632PD13R  | GMB633PD13R  |
| 15       | GMB631PD15   | GMB632PD15  | GMB633PD15  | GMB631PD15R   | GMB632PD15R  | GMB633PD15R  |
| 16       | GMB631PD16   | GMB632PD16  | GMB633PD16  | GMB631PD16R   | GMB632PD16R  | GMB633PD16R  |
| 20       | GMB631PD20   | GMB632PD20  | GMB633PD20  | GMB631PD20R   | GMB632PD20R  | GMB633PD20R  |
| 25       | GMB631PD25   | GMB632PD25  | GMB633PD25  | GMB631PD25R   | GMB632PD25R  | GMB633PD25R  |
| 30       | GMB631PD30   | GMB632PD30  | GMB633PD30  | GMB631PD30R   | GMB632PD30R  | GMB633PD30R  |
| 32       | GMB631PD32   | GMB632PD32  | GMB633PD32  | GMB631PD32R   | GMB632PD32R  | GMB633PD32R  |
| 35       | GMB631PD35   | GMB632PD35  | GMB633PD35  | GMB631PD35R   | GMB632PD35R  | GMB633PD35R  |
| 40       | GMB631PD40   | GMB632PD40  | GMB633PD40  | GMB631PD40R   | GMB632PD40R  | GMB633PD40R  |
| 50       | GMB631PD50   | GMB632PD50  | GMB633PD50  | -             | -            | -            |
| 60       | GMB631PD60   | GMB632PD60  | GMB633PD60  | -             | -            | -            |
| 63       | GMB631PD63   | GMB632PD63  | GMB633PD63  | -             | -            | -            |

### 480Y/277VAC 10kA D Curve

| Amperage | Lug Terminal |              |              | Ring Terminal |               |               |
|----------|--------------|--------------|--------------|---------------|---------------|---------------|
|          | 1 Pole       | 2 Pole       | 3 Pole       | 1 Pole        | 2 Pole        | 3 Pole        |
| 0.5      | GMB63H1PD0.5 | GMB63H2PD0.5 | GMB63H3PD0.5 | GMB63H1PD0.5R | GMB63H2PD0.5R | GMB63H3PD0.5R |
| 1        | GMB63H1PD1   | GMB63H2PD1   | GMB63H3PD1   | GMB63H1PD1R   | GMB63H2PD1R   | GMB63H3PD1R   |
| 1.6      | GMB63H1PD1.6 | GMB63H2PD1.6 | GMB63H3PD1.6 | GMB63H1PD1.6R | GMB63H2PD1.6R | GMB63H3PD1.6R |
| 2        | GMB63H1PD2   | GMB63H2PD2   | GMB63H3PD2   | GMB63H1PD2R   | GMB63H2PD2R   | GMB63H3PD2R   |
| 3        | GMB63H1PD3   | GMB63H2PD3   | GMB63H3PD3   | GMB63H1PD3R   | GMB63H2PD3R   | GMB63H3PD3R   |
| 4        | GMB63H1PD4   | GMB63H2PD4   | GMB63H3PD4   | GMB63H1PD4R   | GMB63H2PD4R   | GMB63H3PD4R   |
| 5        | GMB63H1PD5   | GMB63H2PD5   | GMB63H3PD5   | GMB63H1PD5R   | GMB63H2PD5R   | GMB63H3PD5R   |
| 6        | GMB63H1PD6   | GMB63H2PD6   | GMB63H3PD6   | GMB63H1PD6R   | GMB63H2PD6R   | GMB63H3PD6R   |
| 8        | GMB63H1PD8   | GMB63H2PD8   | GMB63H3PD8   | GMB63H1PD8R   | GMB63H2PD8R   | GMB63H3PD8R   |
| 10       | GMB63H1PD10  | GMB63H2PD10  | GMB63H3PD10  | GMB63H1PD10R  | GMB63H2PD10R  | GMB63H3PD10R  |
| 13       | GMB63H1PD13  | GMB63H2PD13  | GMB63H3PD13  | GMB63H1PD13R  | GMB63H2PD13R  | GMB63H3PD13R  |
| 15       | GMB63H1PD15  | GMB63H2PD15  | GMB63H3PD15  | GMB63H1PD15R  | GMB63H2PD15R  | GMB63H3PD15R  |
| 16       | GMB63H1PD16  | GMB63H2PD16  | GMB63H3PD16  | GMB63H1PD16R  | GMB63H2PD16R  | GMB63H3PD16R  |
| 20       | GMB63H1PD20  | GMB63H2PD20  | GMB63H3PD20  | GMB63H1PD20R  | GMB63H2PD20R  | GMB63H3PD20R  |
| 25       | GMB63H1PD25  | GMB63H2PD25  | GMB63H3PD25  | GMB63H1PD25R  | GMB63H2PD25R  | GMB63H3PD25R  |
| 30       | GMB63H1PD30  | GMB63H2PD30  | GMB63H3PD30  | GMB63H1PD30R  | GMB63H2PD30R  | GMB63H3PD30R  |
| 32       | GMB63H1PD32  | GMB63H2PD32  | GMB63H3PD32  | GMB63H1PD32R  | GMB63H2PD32R  | GMB63H3PD32R  |

Part numbers in bold font indicate stock Code A items.

All other part numbers are stock Code D.

## Electrical Specifications

|   | GMB63_                                |        |        | GMB63H      |        |        |
|---|---------------------------------------|--------|--------|-------------|--------|--------|
|   | 1 Pole                                | 2 Pole | 3 Pole | 1 Pole      | 2 Pole | 3 Pole |
| Standards   | UL489 / CSA C22.2 No. 5 / IEC 60947-2 |        |        |             |        |        |
| Rated Voltage (see Interruptions Ratings (kA) for details): | 240VAC, (60VDC 1 Pole, 125VDC 2 Pole) |        |        | 480Y/277VAC |        |        |
| Rated Frequency   | 50/60 HZ                              |        |        |             |        |        |
| Rated Current   | with lug terminal                     |        |        | 0.5 ~ 63A   |        |        |
|   | with ring terminal                    |        |        | 0.5 ~ 40A   |        |        |
| Rated Insulation Voltage (V)                                | 500                                   |        |        |             |        |        |
| Rated Impulse Withstand Voltage (kV)                        | 6                                     |        |        |             |        |        |
| Instantaneous Tripping Type                                 | B, C (standard) and D                 |        |        |             |        |        |
| Interruption Rating (kA)                                    | 120 Vac                               | 10     | -      | -           | 10     | -      |
|   | 240 Vac                               | 10     | 10     | 10          | 10     | 10     |
|   | 277 Vac                               | -      | -      | -           | 10     | -      |
|   | 480Y/277Vac                           | -      | -      | -           | -      | 10     |
|   | 60 Vdc                                | 10     | 10     | -           | -      | -      |
|   | 125 Vdc                               | -      | 10     | -           | -      | -      |

## Mechanical Specifications

|  | GMB63_                                     |        |        | GMB63H |        |        |
|--|--|--------|--------|--------|--------|--------|
|  | 1 Pole                                     | 2 Pole | 3 Pole | 1 Pole | 2 Pole | 3 Pole |
| Inverse Time-Delay Over Current Release Type | Thermal-magnetic                           |        |        |        |        |        |
| Service Life                                 | Electrical                                 |        |        |        |        |        |
|  | Mechanical                                 |        |        |        |        |        |
|  | 6,000 cycles                               |        |        |        |        |        |
|  | 10,000 cycles                              |        |        |        |        |        |
| Protection Degree                            | IP20                                       |        |        |        |        |        |
| Wire   | Single wire                                |        |        |        |        |        |
|  | Two wires                                  |        |        |        |        |        |
|  | 14~4 AWG                                   |        |        |        |        |        |
|  | First wire 14~6 AWG, second wire 14~10 AWG |        |        |        |        |        |
| Torque                                       | 31 lb-in (3.5 N-m)                         |        |        |        |        |        |

## Environmental Specifications

|                                  | GMB63_                      |        |        | GMB63H |        |        |
|----------------------------------|-----------------------------|--------|--------|--------|--------|--------|
|                                  | 1 Pole                      | 2 Pole | 3 Pole | 1 Pole | 2 Pole | 3 Pole |
| Temperature Range                | Tested                      |        |        |        |        |        |
|                                  | Working                     |        |        |        |        |        |
|                                  | 23F to 104F (-5C to +40C)   |        |        |        |        |        |
|                                  | -13F to 131F (-25C to +55C) |        |        |        |        |        |
| Relative Humidity                | At +20C                     |        |        |        |        |        |
|                                  | At +40C                     |        |        |        |        |        |
|                                  | <90%                        |        |        |        |        |        |
|                                  | <50%                        |        |        |        |        |        |
| Pollution Degree                 | Class 3                     |        |        |        |        |        |
| Over Voltage Category / Mounting | Class III / 35mm DIN rail   |        |        |        |        |        |
| Altitude                         | <2000m                      |        |        |        |        |        |

## Temperature Derating

The maximum permissible current in a GMB circuit breaker depends on the ambient temperature and spacing between devices. Ambient temperature is the temperature inside the enclosure or switch board in which the circuit breaker is installed. The reference nominal current rating is +25 ~ +40C.

Ambient Temp >

|       |       |       |       |       |      |      |      |      |      |      |      |      |      |       |       |       |       |       |       |       |       |
|-------|-------|-------|-------|-------|------|------|------|------|------|------|------|------|------|-------|-------|-------|-------|-------|-------|-------|-------|
| -22°F | -13°F | -4°F  | 5°F   | 14°F  | 23°F | 32°F | 41°F | 50°F | 59°F | 68°F | 77°F | 86°F | 95°F | 104°F | 113°F | 122°F | 131°F | 140°F | 149°F | 158°F | 167°F |
| -30°C | -25°C | -20°C | -15°C | -10°C | -5°C | 0°C  | 5°C  | 10°C | 15°C | 20°C | 25°C | 30°C | 35°C | 40°C  | 45°C  | 50°C  | 55°C  | 60°C  | 65°C  | 70°C  | 75°C  |

Rated Current

|     |       |       |       |       |       |       |       |       |       |       |       |       |       |       |       |       |       |       |       |       |       |       |
|-----|-------|-------|-------|-------|-------|-------|-------|-------|-------|-------|-------|-------|-------|-------|-------|-------|-------|-------|-------|-------|-------|-------|
| 0.5 | 0.63  | 0.62  | 0.61  | 0.60  | 0.59  | 0.58  | 0.57  | 0.55  | 0.54  | 0.53  | 0.52  | 0.50  | 0.50  | 0.50  | 0.50  | 0.45  | 0.43  | 0.42  | 0.40  | 0.38  | 0.36  | 0.33  |
| 1   | 1.21  | 1.19  | 1.18  | 1.16  | 1.14  | 1.12  | 1.10  | 1.08  | 1.06  | 1.04  | 1.02  | 1.00  | 1.00  | 1.00  | 1.00  | 0.91  | 0.89  | 0.87  | 0.84  | 0.80  | 0.77  | 0.73  |
| 1.6 | 2.11  | 2.06  | 2.05  | 1.98  | 1.94  | 1.90  | 1.86  | 1.81  | 1.76  | 1.73  | 1.65  | 1.60  | 1.60  | 1.60  | 1.60  | 1.36  | 1.30  | 1.23  | 1.17  | 1.09  | 1.01  | 0.93  |
| 2   | 2.42  | 2.38  | 2.36  | 2.32  | 2.28  | 2.24  | 2.20  | 2.16  | 2.12  | 2.08  | 2.04  | 2.00  | 2.00  | 2.00  | 2.00  | 1.82  | 1.78  | 1.74  | 1.68  | 1.60  | 1.48  | 1.36  |
| 3   | 3.81  | 3.75  | 3.66  | 3.60  | 3.54  | 3.45  | 3.39  | 3.33  | 3.24  | 3.15  | 3.09  | 3.00  | 3.00  | 3.00  | 3.00  | 2.64  | 2.55  | 2.46  | 2.34  | 2.25  | 2.13  | 2.01  |
| 4   | 5.00  | 4.92  | 4.84  | 4.76  | 4.68  | 4.60  | 4.48  | 4.40  | 4.28  | 4.20  | 4.12  | 4.00  | 4.00  | 4.00  | 4.00  | 3.56  | 3.44  | 3.32  | 3.20  | 3.08  | 2.92  | 2.7   |
| 5   | 6.30  | 6.20  | 6.10  | 5.95  | 5.85  | 5.75  | 5.65  | 5.50  | 5.40  | 5.25  | 5.15  | 5.00  | 5.00  | 5.00  | 5.00  | 4.45  | 4.30  | 4.15  | 3.95  | 3.75  | 3.50  | 3.25  |
| 6   | 7.38  | 7.26  | 7.14  | 7.02  | 6.90  | 6.78  | 6.66  | 6.54  | 6.42  | 6.30  | 6.12  | 6.00  | 6.00  | 6.00  | 6.00  | 5.40  | 5.22  | 5.10  | 4.92  | 4.62  | 4.32  | 4.08  |
| 8   | 10.32 | 10.08 | 9.92  | 9.76  | 9.52  | 9.36  | 9.12  | 8.88  | 8.72  | 8.48  | 8.24  | 8.00  | 8.00  | 8.00  | 8.00  | 7.04  | 6.72  | 6.40  | 6.08  | 5.76  | 5.12  | 4.48  |
| 10  | 12.80 | 12.50 | 12.30 | 12.10 | 11.80 | 11.60 | 11.30 | 11.10 | 10.80 | 10.60 | 10.30 | 10.00 | 10.00 | 10.00 | 10.00 | 8.80  | 8.50  | 8.20  | 7.80  | 7.30  | 6.80  | 6.20  |
| 13  | 15.60 | 15.34 | 15.08 | 14.95 | 14.69 | 14.43 | 14.17 | 14.04 | 13.78 | 13.52 | 13.26 | 13.00 | 13.00 | 13.00 | 13.00 | 11.96 | 11.70 | 11.44 | 11.05 | 10.40 | 9.75  | 8.84  |
| 15  | 19.20 | 18.75 | 18.45 | 18.15 | 17.70 | 17.40 | 16.95 | 16.65 | 16.20 | 15.90 | 15.45 | 15.00 | 15.00 | 15.00 | 15.00 | 13.20 | 12.75 | 12.30 | 11.70 | 10.80 | 9.75  | 8.70  |
| 16  | 19.84 | 19.52 | 19.20 | 18.88 | 18.56 | 18.24 | 17.76 | 17.44 | 17.12 | 16.80 | 16.32 | 16.00 | 16.00 | 16.00 | 16.00 | 14.40 | 13.92 | 13.44 | 12.96 | 12.00 | 11.20 | 10.24 |
| 20  | 24.60 | 24.20 | 23.80 | 23.40 | 23.00 | 22.60 | 22.20 | 21.80 | 21.40 | 21.00 | 20.40 | 20.00 | 20.00 | 20.00 | 20.00 | 18.00 | 17.40 | 16.80 | 16.20 | 15.20 | 14.20 | 13.20 |
| 25  | 31.00 | 30.50 | 30.00 | 29.50 | 29.00 | 28.50 | 27.75 | 27.25 | 26.75 | 26.25 | 25.50 | 25.00 | 25.00 | 25.00 | 25.00 | 22.50 | 21.75 | 21.25 | 20.50 | 19.25 | 18.00 | 16.75 |
| 30  | 39.00 | 38.10 | 37.50 | 36.60 | 36.00 | 35.10 | 34.50 | 33.60 | 32.70 | 31.80 | 30.90 | 30.00 | 30.00 | 30.00 | 30.00 | 26.10 | 24.90 | 23.70 | 22.50 | 20.70 | 19.20 | 17.40 |
| 32  | 39.36 | 38.72 | 38.08 | 37.44 | 36.80 | 36.16 | 35.52 | 34.88 | 34.24 | 33.28 | 32.64 | 32.00 | 32.00 | 32.00 | 32.00 | 29.12 | 28.16 | 27.20 | 24.96 | 23.36 | 21.76 | 19.84 |
| 35  | 45.85 | 45.15 | 44.10 | 43.05 | 42.35 | 41.30 | 40.25 | 39.20 | 38.15 | 37.10 | 36.05 | 35.00 | 35.00 | 35.00 | 35.00 | 30.10 | 28.70 | 27.30 | 25.90 | 24.15 | 22.40 | 20.30 |
| 40  | 49.20 | 48.40 | 47.60 | 46.80 | 46.00 | 45.20 | 44.40 | 43.60 | 42.80 | 42.00 | 40.80 | 40.00 | 40.00 | 40.00 | 40.00 | 36.40 | 35.20 | 34.00 | 32.80 | 29.60 | 26.40 | 22.40 |
| 45  | 55.35 | 54.45 | 53.55 | 52.65 | 51.75 | 50.85 | 49.95 | 49.05 | 48.15 | 47.25 | 45.90 | 45.00 | 45.00 | 45.00 | 45.00 | 40.95 | 39.60 | 38.25 | 36.90 | 33.30 | 29.70 | 26.00 |
| 50  | 61.50 | 60.50 | 59.50 | 58.50 | 57.50 | 56.50 | 55.50 | 54.50 | 53.50 | 52.50 | 51.00 | 50.00 | 50.00 | 50.00 | 50.00 | 45.50 | 44.00 | 42.50 | 41.00 | 37.50 | 34.00 | 30.00 |
| 60  | 77.40 | 76.20 | 74.40 | 73.20 | 71.40 | 70.20 | 68.40 | 66.60 | 65.40 | 63.60 | 61.80 | 60.00 | 60.00 | 60.00 | 60.00 | 52.20 | 50.40 | 48.00 | 45.60 | 42.00 | 37.80 | 33.00 |
| 63  | 80.01 | 78.75 | 76.86 | 75.60 | 74.34 | 72.45 | 71.19 | 69.93 | 68.04 | 66.15 | 64.81 | 63.00 | 63.00 | 63.00 | 63.00 | 55.44 | 53.55 | 51.66 | 49.14 | 45.36 | 40.95 | 35.91 |

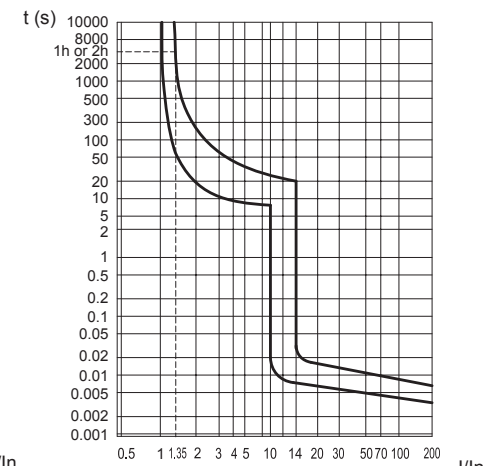
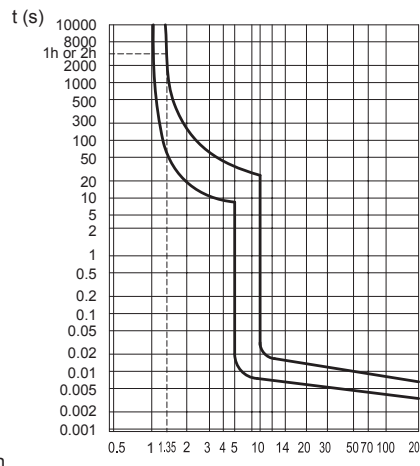
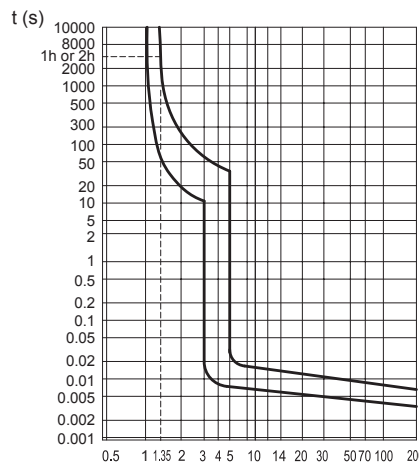
## Curve Profile

C Curve  
(5 ~ 10 In)

B Curve  
(In=3/5)

C Curve  
(In=5/10)

D Curve  
(In=10/14)



## Accessories

| Accessory         | Poles             | Part Number  | Description   | Ratings   |                                | Aux Contact Configuration | Approvals |
|-------------------|-------------------|--|---|-----------|--------------------------------|---------------------------|-----------|
| Auxiliary Contact | all               | <b>GMBAX</b>   | Indication of the position of the device's contacts. To be mounted on the left side of the UL489 circuit breaker.   | VAC / AAC | 480V / 3A, 277 / 3A<br>240V/6A | 1NO / 1NC                 | CE only   |
|                   |                   |  |   | VDC / ADC | 24V / 6A                       |                           |           |
| Alarm Switch      |                   | <b>GMBAL</b>   | Indication of the position of the device's contacts only after the automatic release of the UL489 MCB, due to an overload or a short-circuit. To be mounted on the left side of the device. | VAC / AAC | 480V / 3A, 277 / 3A<br>240V/6A | 1NO / 1NC                 | CE only   |
|                   |                   |  |   | VDC / ADC | 24V / 6A                       |                           |           |
| Shunt Release     | <b>GMSHT311NC</b> | Release of the MCB with application of control voltage | VDC   | 12-24V    | n/a                            | CE only                   |           |
| Padlock           | <b>GMKLK</b>      | Lock off for the MCB                                   | n/a   | n/a       | n/a                            | n/a                       |           |

## Busbar

### General

### Ordering key:

**GMBB---**

- The first cuttable UL489 Busbar.
- Allows maximum flexibility for wiring of UL489 Miniature Circuit Breakers.
- For Connection of UL489 Miniature Circuit Breakers
- 1P, 2P and 3P Configurations with and without Auxiliary Switch
- Voltage Ratings: 1P 1000 V AC / DC 2+3P 600 V AC / DC
- Feeder Terminal Options allow for Top or Bottom Feed Standard
- Cuttable Design allows for maximum flexibility and less waste
- Finger Safe Design with Available Protective Caps for unused terminals

## Technical data

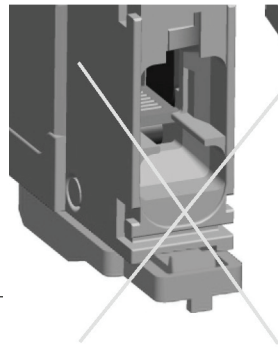
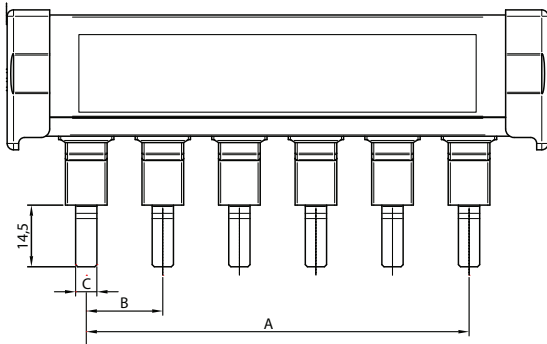
| Applicable Standard          | UL489/UL489A  |              |
|------------------------------|---------------|--------------|
| Voltage Ratings              | Single Phase  | 1000 VAC/VDC |
|                              | 2 and 3 Phase | 600 VAC/VDC  |
| Current Rating Cross Section | End Feed      | 80 Amps      |
|                              | Center Feed   | 160 Amps*    |
| Protection Class             | IP20          |              |
| KA Rating (J Fuse)           | 14KA          |              |

\* Note: Two GMBBCEENFEED required per phase.

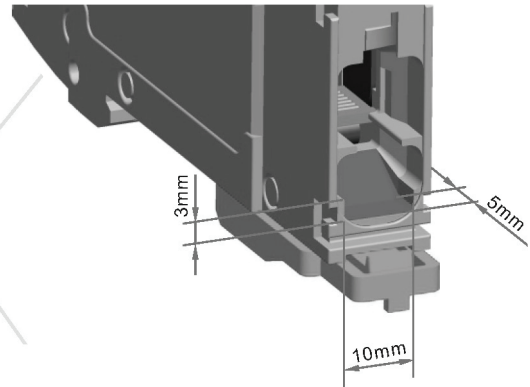
## Selection Guide

| Accessory     | Poles | Pins              | Part Number                   | Description                        | Amperage Rating   | Rated Voltage | Dimensions [mm / in]   |           |           |              |
|---------------|-------|-------------------|-------------------------------|------------------------------------|-------------------|---------------|--|-----------|-----------|--------------|
|               |       |                   |                               |                                    | end / center feed |               | A  | B         | C         | Total Height |
| Busbar        | 1     | 6                 | <b>GMBB1P06H</b>              | 1P 06 pins busbar for GMB          | 100A / 200A (*)   | 1000 VAC/VDC  | 90 / 3.5   | 18 / 0.71 | 5 / 0.20  | 60 / 2.36    |
|               |       | 12                | <b>GMBB1P12H</b>              | 1P 12 pins busbar for GMB          | 100A / 200A (*)   |               | 198 / 7.8  | 18 / 0.71 | 5 / 0.20  | 60 / 2.36    |
|               |       | 18                | <b>GMBB1P18H</b>              | 1P 18 pins busbar for GMB          | 100A / 200A (*)   |               | 306 / 12   | 18 / 0.71 | 5 / 0.20  | 60 / 2.36    |
|               |       | 57                | <b>GMBB1P57H</b>              | cuttable 1P 57 pins busbar for GMB | 100A / 200A (*)   |               | 1008 / 39.7  | 18 / 0.71 | 5 / 0.20  | 60 / 2.36    |
|               |       | 37                | <b>GMBB1P37HS</b>             | 1P 37 pins busbar for GMB+aux      | 100A / 200A (*)   |               | 1008 / 39.7  | 18 / 0.71 | 5 / 0.20  | 60 / 2.36    |
|               | 2     | 6                 | <b>GMBB2P06H</b>              | 2P 06 pins busbar for GMB          | 100A / 200A (*)   | 600 VAC/VDC   | 90 / 3.5   | 18 / 0.71 | 5 / 0.20  | 60 / 2.36    |
|               |       | 12                | <b>GMBB2P12H</b>              | 2P 12 pins busbar for GMB          | 100A / 200A (*)   |               | 198 / 7.8  | 18 / 0.71 | 5 / 0.20  | 60 / 2.36    |
|               |       | 18                | <b>GMBB2P18H</b>              | 2P 18 pins busbar for GMB          | 100A / 200A (*)   |               | 306 / 12   | 18 / 0.71 | 5 / 0.20  | 60 / 2.36    |
|               |       | 56                | <b>GMBB2P56H</b>              | 2P 56 pins busbar for GMB          | 100A / 200A (*)   |               | 1008 / 39.7  | 18 / 0.71 | 5 / 0.20  | 60 / 2.36    |
|               |       | 46                | <b>GMBB2P46HS</b>             | 2P 46 pins busbar for GMB+aux      | 100A / 200A (*)   |               | 1008 / 39.7  | 18 / 0.71 | 5 / 0.20  | 60 / 2.36    |
|               | 3     | 6                 | <b>GMBB3P06H</b>              | 3P 06 pins busbar for GMB          | 100A / 200A (*)   | 600 VAC/VDC   | 90 / 3.5   | 18 / 0.71 | 5 / 0.20  | 60 / 2.36    |
|               |       | 12                | <b>GMBB3P12H</b>              | 3P 12 pins busbar for GMB          | 100A / 200A (*)   |               | 198 / 7.8  | 18 / 0.71 | 5 / 0.20  | 60 / 2.36    |
|               |       | 18                | <b>GMBB3P18H</b>              | 3P 18 pins busbar for GMB          | 100A / 200A (*)   |               | 306 / 12   | 18 / 0.71 | 5 / 0.20  | 60 / 2.36    |
|               |       | 57                | <b>GMBB3P57H</b>              | 3P 57 pins busbar for GMB          | 100A / 200A (*)   |               | 1008 / 39.7  | 18 / 0.71 | 5 / 0.20  | 60 / 2.36    |
| 37            |       | <b>GMBB3P48HS</b> | 3P 48 pins busbar for GMB+aux | 100A / 200A (*)                    | 1008 / 39.7       |               | 18 / 0.71  | 5 / 0.20  | 60 / 2.36 |              |
| Feeder        | all   | n / a             | <b>GMBBFEEED123P</b>          | Feeder term all GMB busbars (**)   | 115A              | 1000 VAC/VDC  | (*) note that two 115A feeder terminal per phase when using center feed for 200A amperage rating |           |           |              |
| Center feeder |       |                   | <b>GMBBCENFEED</b>            | Center feeder term GMB busbars     | 115A              |               |  |           |           |              |
| End cap       |       |                   | <b>GMBBENDCAP</b>             | End cap all GMB busbars            | n/a               | n/a           |  |           |           |              |
| Pin cap       |       |                   | <b>GMBBPINCAP</b>             | Pin cap all GMB busbars            | n/a               |               |  |           |           |              |

(\*\*) GMBBFEEED123P will NOT fit on GMB circuit breakers produced prior to August 2015



Construction prior to August 2015  
Datecode 2015H or older

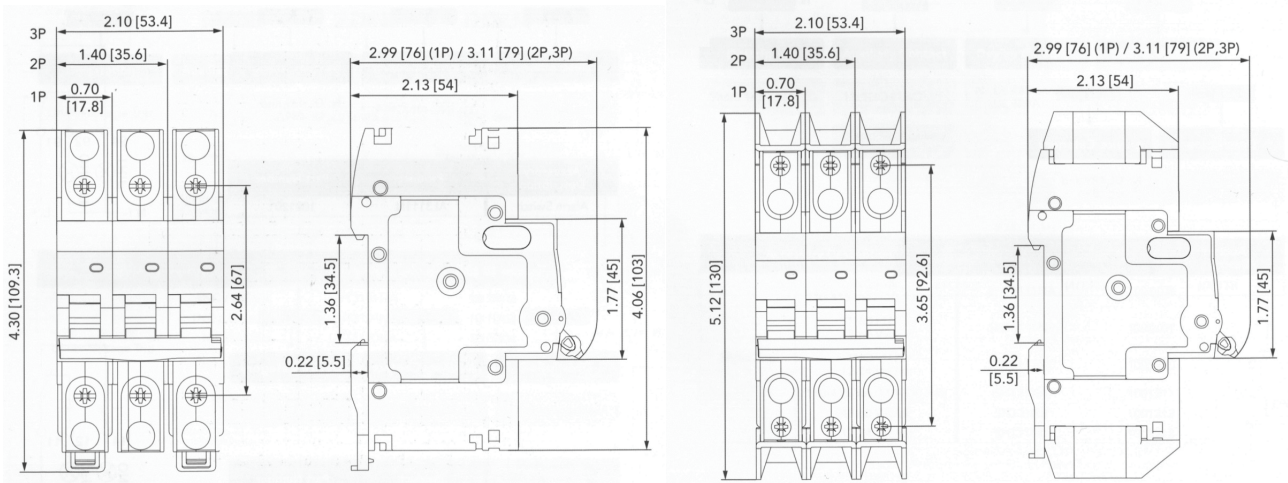


Construction after August 2015  
Datecode 2015H and newer



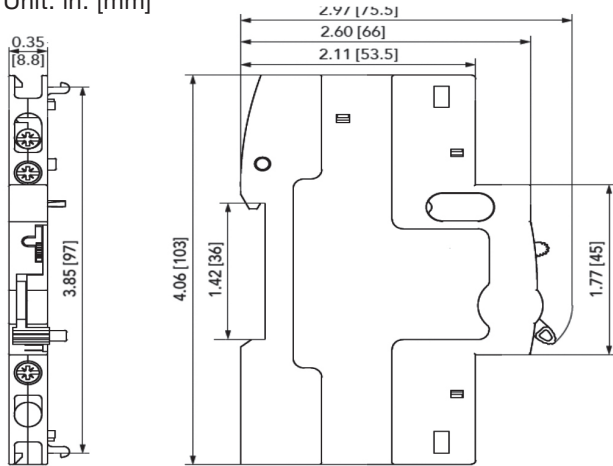
## Dimensions – GMB63 IP/2P/3P Lug Terminal

Unit: in. [mm]



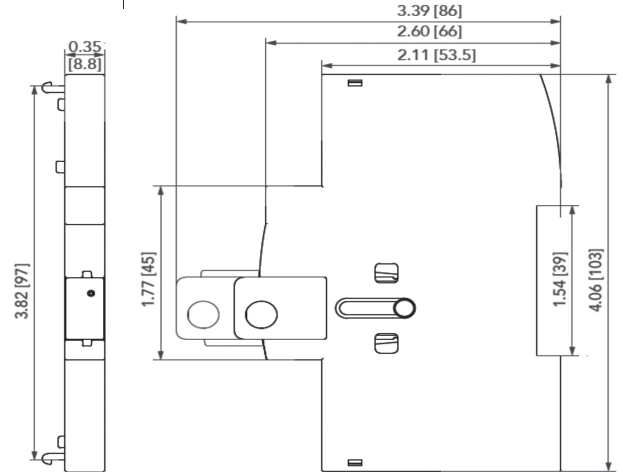
## Dimensions – GMBAL BMBAX

Unit: in. [mm]



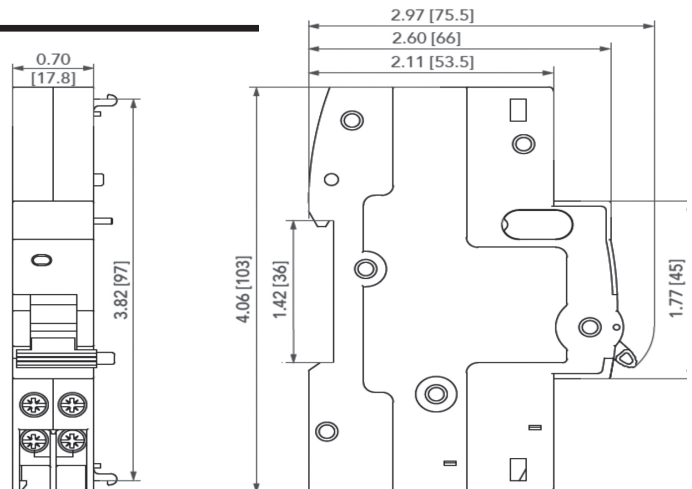
## GMKLIK

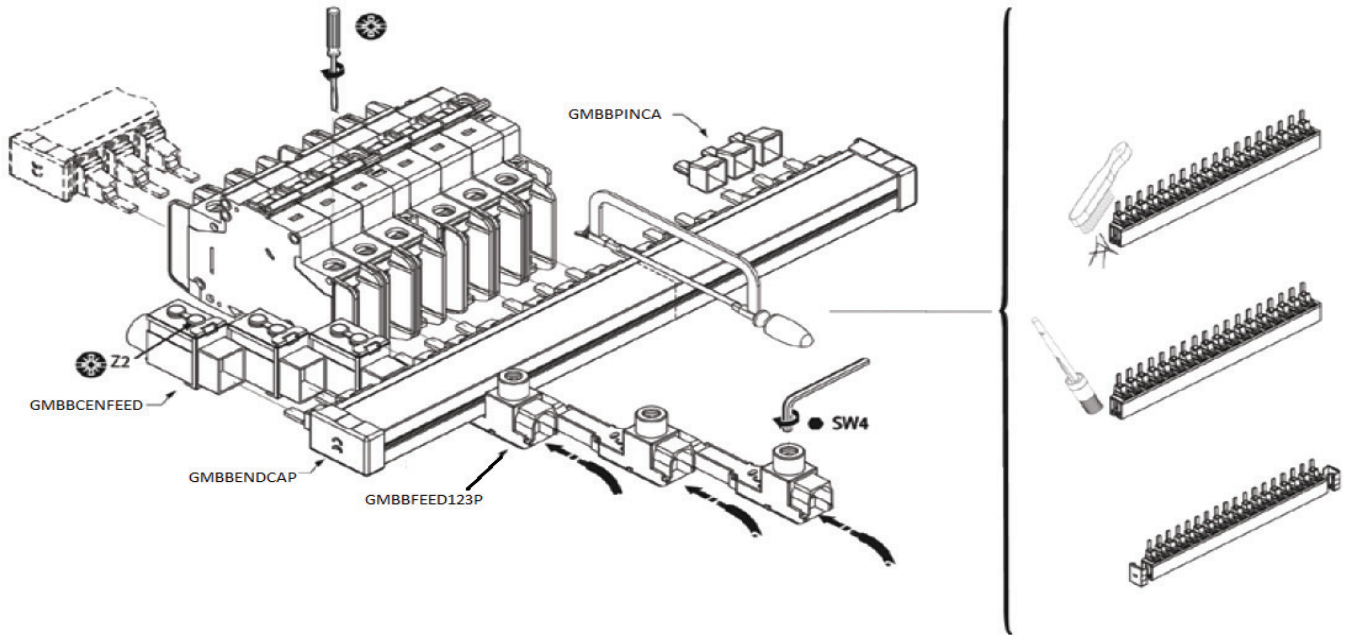
Unit: in. [mm]



## Dimensions – GMB5HT311NC

Unit: in. [mm]





## Agency Approvals

### GMB Supplementary Protectors



GMBAL, GMBAX, GMKLL, GMBST311C Accessories



### GMBB Busbars and Busbar Accessories



## X-ON Electronics

Largest Supplier of Electrical and Electronic Components

*Click to view similar products for [Circuit Breakers](#) category:*

*Click to view products by [Carlo Gavazzi](#) manufacturer:*

Other Similar products are found below :

[LUGZX66-1-61-20.0-44](#) [M39019/01-201](#) [M39019/01-221](#) [M39019/04-249S](#) [M39019/04-313S](#) [M55629/1-016](#) [M55629/1-018](#) [M55629/1-021](#)  
[M55629/1-033](#) [M55629/1-046](#) [M55629/1-048](#) [M55629/1-058](#) [M55629/1-067](#) [M55629/1-070](#) [M55629/1-079](#) [M55629/1-084](#) [M55629/1-085](#)  
[M55629/1-109](#) [M55629/11-102](#) [M55629/12-045](#) [M55629/12-046](#) [M55629/1-330](#) [M55629/1-366](#) [M55629/1-387](#) [M55629/1-401](#) [M55629/2-](#)  
[022](#) [M55629/2-030](#) [M55629/2-072](#) [M55629/2-082](#) [M55629/2-099](#) [M55629/2-101](#) [M55629/2-102](#) [M55629/21-BM-BM](#) [M55629/21-HM-HM](#)  
[M55629/21-NS-NS](#) [M55629/22-NR-NR-NR](#) [M55629/22-RS-RS-RS](#) [M55629/2-347](#) [M55629/2-401](#) [M55629/2-413](#) [M55629/3-030](#)  
[M55629/3-050](#) [M55629/3-102](#) [M55629/3-103](#) [M55629/3-128](#) [M55629/3-130](#) [M55629/3-238](#) [M55629/3-386](#) [M55629/3-LBZB](#) [M55629/4-](#)  
[115](#)