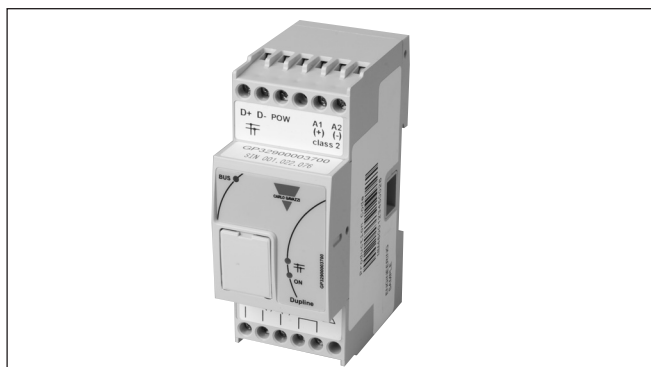


# Dupline® Carpark Channel Generator for Carpark Type GP32900003700

CARLO GAVAZZI



- Supplies the Dupline® 3-wire bus (L<sub>1</sub> or L<sub>2</sub>) with 24 VDC power and communication
- Operates in conjunction with The Master Zone Counter GP32950030700
- Max load on the third wire (pow out) is 3Amp
- Connect up to 120 sensors via Dupline® L<sub>1</sub> 3-wire bus
- Sends out sync. signal for the Carpark sensors on the L<sub>1</sub> bus
- Powered from 24 VDC

## Product Description

The GP32900003700 is a Dupline® channel generator with 24VDC power out to supply ultrasonic sensors in the Dupline® Carpark system. The channel generator is part of the GPMZC-SET, it has no independent functions and works only together with the counter module GP32950030700.

## Ordering Key

**GP32900003700**

## Type Selection

Housing	Mounting	Supply: 24 VDC ± 20%
2 DIN	DIN-rail	GP32900003700

## Supply Specifications

<b>Power supply</b>	Overvoltage cat. II (IEC 60664-1, par. 4.3.3.2)	<b>Voltage</b>	8.2 V
Rated operational voltage	24 VDC ± 20%	<b>Maximum Dupline® voltage</b>	10 V
<b>Rated impulse voltage</b>	500V (1,2/50µs) (IEC 60664-1, tab. F.1)	<b>Minimum Dupline® voltage</b>	4.5 V
<b>Rated operational power</b>	6.5 W	<b>Maximum Dupline® current</b>	130 mA
<b>Reverse polarity protection</b>	Yes	<b>Maximum current on pow</b>	< 2.8 A @ 40°C < 2.6 A @ 50°C
<b>Connection</b>	A1 (+) and A2 (-)	<b>Terminal</b>	D+, D- and pow out
<b>Power on delay</b>	Typ. 20 s	<b>Note:</b>	The Dupline® bus is located on the upper connector and also on the local bus connector on the right side of the module.
<b>Power off delay</b>	1 s		

## General Specifications

<b>Installation category</b>	Cat. II	<b>Environment</b>	
<b>Dielectric strength</b>		Degree of protection	
Power supply to Dupline® and Dupline® to Output	500 V AC for 1 min. 500 V impulse 1.2/50µs (IEC60664-1, TAB. A.1)	Front	IP 50
<b>Fail-safe condition</b>	If the GP32900003700 loses the communication with the GP32950030700, the Dupline® output will be switched off. In this situation all the modules connected to the bus will go into the fail-safe output status.	Screw terminal	IP 20
		Pollution degree	2 (IEC 60664-1, par. 4.6.2)
		Operating temperature	-20° to +50°C (-4° to 122°F)
		Storage temperature	-50° to +85°C (-58° to 185°F)
		Humidity (non-condensing)	20 to 80% RH
		<b>LED indication</b>	
		BUS	1 yellow LED
		Power	1 green LED
		Dupline®	1 yellow LED
		<b>Connection</b>	



## General Specifications (cont.)

Terminal Cable cross-section area Tightening torque	12 screw-type Max. 1.5 mm <sup>2</sup> 0.4 Nm / 0.8 Nm
<b>Housing</b> Dimensions (WxHxD)	35 x 90 x 63.5 mm (2-DIN module)
Material	Noryl
<b>Weight</b>	150 g
<b>Approvals</b>	cULus, according to UL60950 <b>UL notes:</b> Max ambient temperature: 40°C Equipment must be supplied by a separately certified NEC class 2 (LPS) power unit

<b>CE Marking</b>	Yes
<b>EMC</b>	
Immunity	EN 61000-6-2
- Electrostatic discharge	EN 61000-4-2
- Radiated radiofrequency	EN 61000-4-3
- Burst immunity	EN 61000-4-4
- Surge	EN 61000-4-5
- Conducted radio frequency	EN 61000-4-6
- Power frequency magnetic fields	EN 61000-4-8
- Voltage dips, variations, interruptions	EN 61000-4-11
Emission	EN 61000-6-3
- Conducted and radiated emissions	
- Conducted emissions	CISPR 22 (EN55022), cl. B
- Radiated emissions	CISPR 16-2-1 (EN55016-2-1) CISPR 16-2-3 (EN55016-2-3)

## HS Bus Specifications

<b>Bus type</b>	RS485 high speed bus
<b>Protocol</b>	Internal proprietary protocol
<b>Connection</b>	By local bus (left and right connectors) or terminals GND, A(-), B(+). T1, T2: termination inputs. They have to be short-circuited on the last module of the network. See wiring diagrams.

## LEDs Indication

### Green LED: ON.

ON: Supply ON  
OFF: Supply OFF

### Yellow LED Dupline® bus

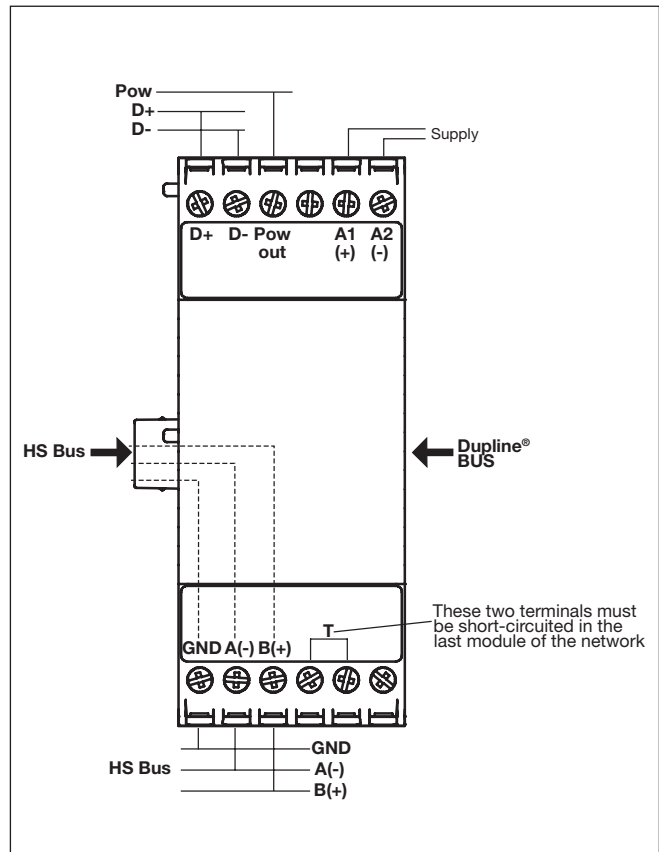
ON: the Dupline® bus is working properly  
Flashing: there is a fault on the Dupline® bus  
OFF: the Dupline® bus is OFF or not connected.

### Yellow LEDs

### Bus

OFF: no communication is present on the HS bus  
ON: communication error on HS bus  
Flashing: communication OK on HS bus

## Wiring Diagrams

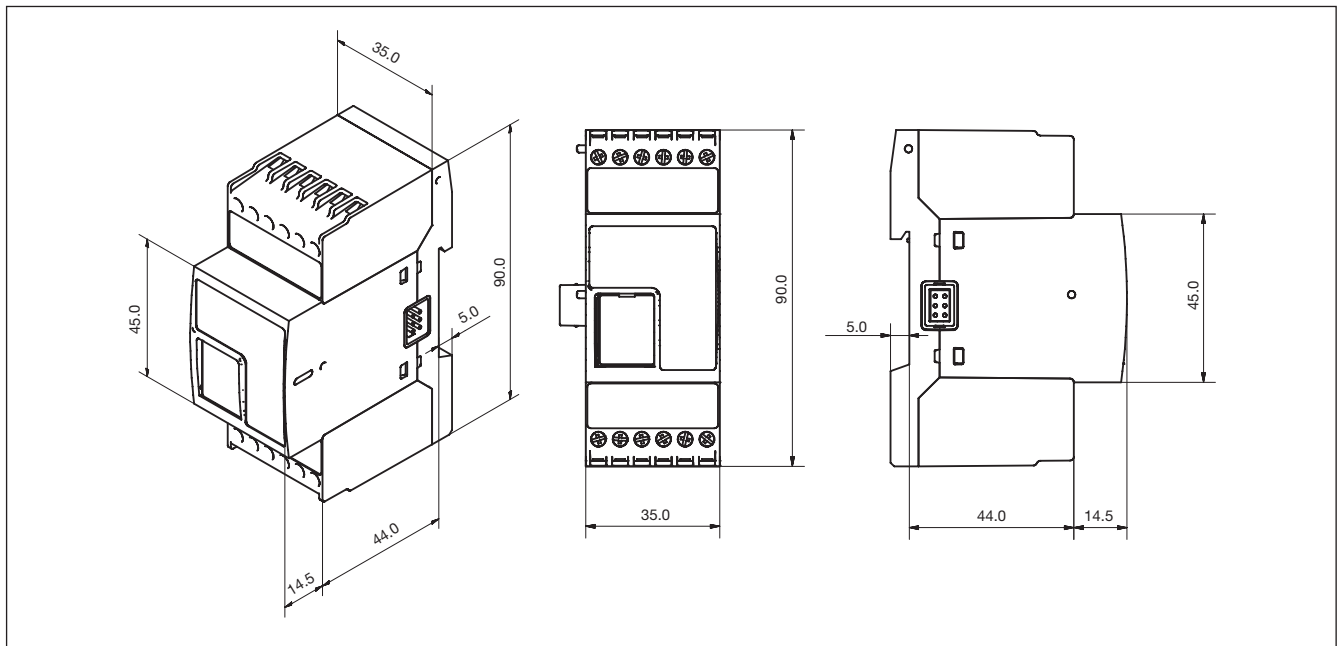


## Mode of Operation

The GP32900003700 is part of the GPMZC-SET and it has no function without the counter module GP32950030700.

Information regarding installation, programming and handling the GP32900003700 can be found in the datasheet GPMZC-SET or the MZC installation manual.

## Dimensions



## X-ON Electronics

Largest Supplier of Electrical and Electronic Components

*Click to view similar products for [I/O Modules](#) category:*

*Click to view products by [Carlo Gavazzi](#) manufacturer:*

Other Similar products are found below :

[70L-IDC5S](#) [70L-OAC-L](#) [70Z3289-4](#) [G21960000700](#) [G21960002700](#) [G34960002700](#) [G88104401](#) [GUR02](#) [OACU](#) [C4SWOUT](#) [PB16H](#) [SM-IDC15](#) [G34960001700](#) [G77-S](#) [G78-16-E](#) [GP34829091724](#) [GP34960005700](#) [JQP4](#) [ODC-24A](#) [IDC5P](#) [FC6A-N16B1](#) [6421](#) [FC6A-N32B3](#) [70MRCQ32-HL](#) [C200H-LK201-V1](#) [G3TA-OA202SZ-US](#) [DC12](#) [GT1-OD16](#) [GT1-AD04CST](#) [GT1-DA04](#) [B7AM-6BS](#) [GRT1-ML2](#) [GRT1-TS2P](#) [CRT1-ID16TAH-1](#) [70GRCQ24-HS](#) [CRT1-ID08](#) [G7TC-ID16 DC24V](#) [CRT1-ID08-1](#) [84110210](#) [6422](#) [AIIS-DIO32-00A1E](#) [84110410](#) [GT1-OD16MX](#) [GRT1-PC8](#) [G7VC-OC16-B7](#) [G7TC-OC08-1 DC24V](#) [G7TC-IA16 AC200/220V](#) [G7TC-OC08 DC24V](#) [70MRCK24-DIN](#) [2736505](#) [ODC5AQ](#)