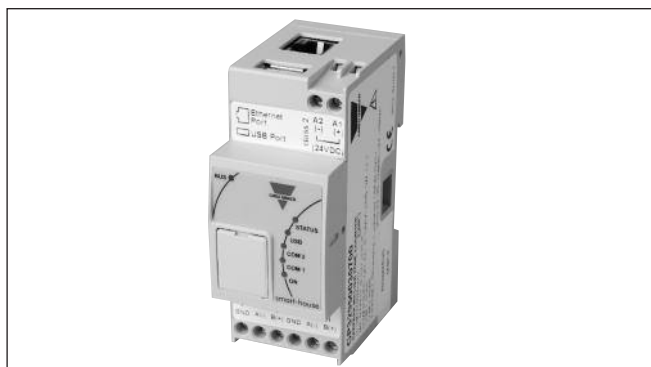


Dupline® Carpark Master Zone Counter (MZC) Module Type GP32950030700



- Controller in the Dupline® zone counting system
- Micro Linux PC with ethernet port and web server
- Connects up to 120 count sensors via Dupline® L₁ 3-wire bus
- Dupline® ultrasonic carpark sensors can be used directly on the L₁ bus
- Loop detectors or photoelectric sensors can be used when connected to a Dupline® L₁ input module
- Manages up to 3840 parking spaces in multiple zones
- Each zone can have multiple entry and exit points
- Easy configuration, monitoring and count adjustment via web server
- Mixed systems with zone counting and single space detection possible
- Option to detect the split between handicap and standard spaces occupancy
- Optional PC software for real-time monitoring and historical occupancy data analysis

Product Description

The GP32950030700 is a programmable unit specially designed for Carpark installations. This controller includes dedicated functions for counting based on the count sensors connected to the L₁ bus. A web server in the controller gives the user a unique opportunity to modify or

monitor the zone count system using a smartphone or other ethernet based equipment. The GP32950030700 has no independent functions and only works together with the channel generator GP32900003700.

Ordering Key

GP32950030700

Type Selection

Housing

2 DIN

Mounting

DIN-rail

Supply: 24 VDC ± 20%

GP32950030700

Supply Specifications

Power supply	Overvoltage cat. II (IEC 60664-1, par. 4.3.3.2)	Reverse polarity protection	Yes
Rated operational voltage	15 to 24 VDC ± 20%	Connection	A1 (+) and A2 (-)
Rated impulse voltage	500V (1,2/50µs) (IEC 60664-1, tab. F.1)	Power off delay	1 s
Rated operational power	5 W		

Main Hardware Characteristics

Memory	Micro SD not in use	Auxiliary bus	HS BUS
Communication ports		Right side	Compatible with GP32900003700
RS485	2 ports	USB ports	
Ethernet	1 port, for Internet/LAN connection	Mini USB	Only for internal use
		Host function	Not in use

RS485 Communications Ports

Number of ports	2	Data format	Selectable: 1 start bit, 7/8 data bit, no/odd/even/ parity, 1/2 stop bit
Purpose	COM1: Modbus slave COM2: Modbus slave	Baud-rate	9600 bits/s
Type	Multidrop, bidirectional	Insulation	See the table "Insulation between inputs and outputs"
Connections	2-wire. Max. distance 1000m		
Protocol	MODBUS RTU		

Ethernet Port

Rated inputs	HTTP	Connections	RJ45 10/100 BaseTX				
IP configuration	Static IP / Netmask / Default gateway	Insulation	Max. distance: 100m See "Insulation between inputs and outputs" table.				
DNS	Primary and secondary DNS as a static or dynamic management (using DHCP server if configured)						
WEB server	<table border="1"> <thead> <tr> <th>Port</th> <th>N. of connections</th> </tr> </thead> <tbody> <tr> <td>80</td> <td>20</td> </tr> </tbody> </table>	Port	N. of connections	80	20		
Port	N. of connections						
80	20						

HS Bus Specs (right side)

Bus type	RS485 high speed bus	Note:	The two GP32900003700 modules which drive the L1 and L2 buses must be connected on the right side of the GP32950030700
Function	Connection to master channel generator module GP32900003700		
Connection	By local bus on the right side		

LEDs Indication

Green LED: ON ON: power ON OFF: power OFF	Flashing: 200ms ON 200ms OFF, communications OK	BUS OFF: no communication is present on the HSbus ON: communication error on HSbus Flashing: communication OK on HSbus	Blue LED: USB Not in use
Yellow LEDs: COM 1 OFF: no communications on RS485 A Flashing: 200ms ON 600ms OFF, no answer from the slave	COM 2 OFF: no communications on RS485 B Flashing: 200ms ON 600ms OFF, no answer from the slave Flashing: 200ms ON 200ms OFF, communications OK		Red LED: STATUS Not in use

Based Insulation between Inputs and Outputs

Type of input/output	DC Power supply	RS485 - COM 1	RS485 - COM 2	Ethernet	USB port "H"
DC Power supply	-	2kV	2kV	0.5kV	0kV
RS485 - COM 1	2kV	-	0.5kV	2kV	2kV
RS485 - COM 2	2kV	0.5kV	-	2kV	2kV
Ethernet (LAN/Internet)	0.5kV	2kV	2kV	-	0.5kV
USB port "H" (Host)	0kV	2kV	2kV	0.5kV	-

0kV	Inputs / outputs are not insulated
2kVrms	EN61010-1, IEC60664-1 - over-voltage category III, pollution degree 2, double insulation on systems with max. 300Vrms to ground
0.5kVrms	The insulation is functional type

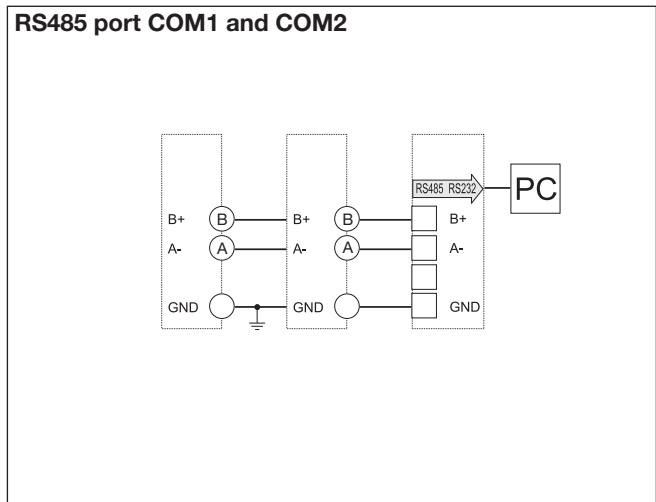
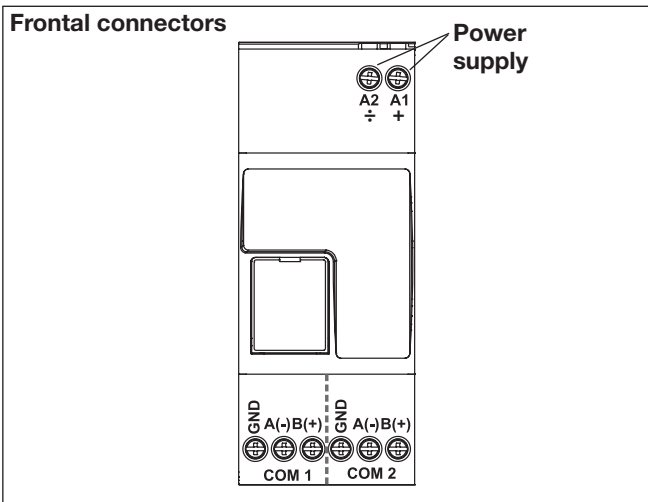
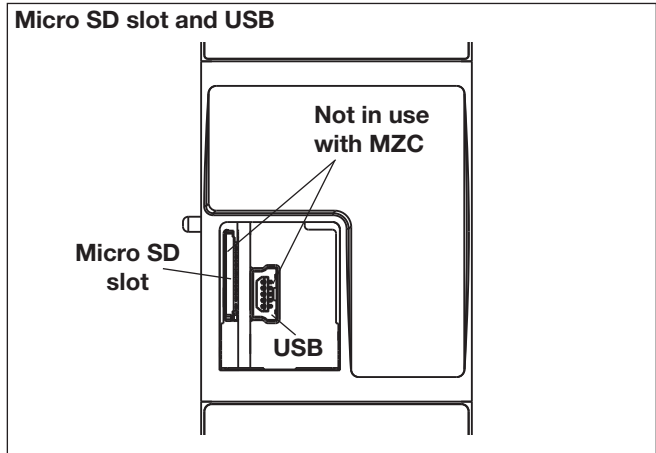
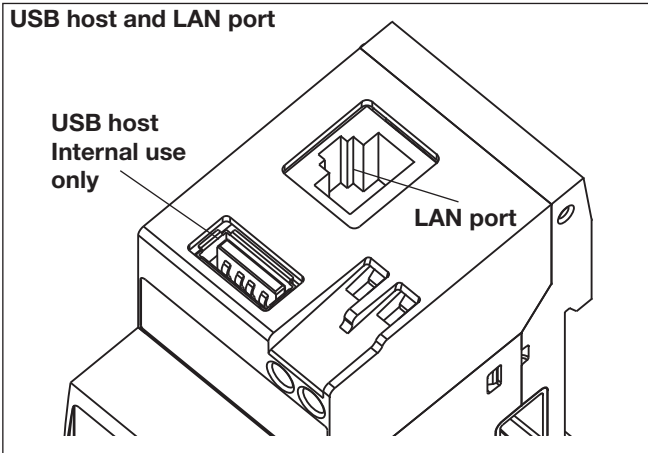
General Specifications

Operating temperature	-20 to +50°C (-4°F to 122°F) (R.H. < 90% non-condensing @ 40°C)	Mounting	DIN-rail
Storage temperature	-30 to +70°C (-22°F to 158°F) (R.H. < 90% non-condensing @ 40°C)	Approvals	cULus, according to UL60950 UL notes: Max room temperature: 40°C Equipment must be supplied by a separately certified NEC class 2 (LPS) power unit.
Overvoltage category	Cat. III (IEC 60664, EN60664) For inputs from string: equivalent to Cat. I, reinforced insulation.	CE Marking	Yes
Dielectric strength	4000 VAC RMS for 1 minute	EMC	EN 61000-6-2 EN 61000-4-2 EN 61000-4-3 EN 61000-4-4 EN 61000-4-5 EN 61000-4-6 EN 61000-4-8 EN 61000-4-11 EN 61000-6-3
Noise rejection CMRR	65 dB, 45 to 65 Hz	Immunity	
Standard compliance Safety	IEC60664, IEC61010-1 EN60664, EN61010-1	- Electrostatic discharge	
Protection degree Front Screw terminals	IP40 IP20	- Radiated radiofrequency	
Housing Dimensions (WxHxD) Material	17.5 x 90 x 67 mm Noryl, self-extinguishing: UL 94 V-0	- Burst immunity	
Weight	Approx. 150 g (packing included)	- Surge	
		- Conducted radio frequency	
		- Power frequency magnetic fields	
		- Voltage dips, variations, interruptions	
		Emission	
		- Conducted and radiated emissions	
		- Conducted emissions	
		- Radiated emissions	

Connections

Ethernet	RJ-45 connector (10/100Base-T)	Power supply	2 screw terminals 1.5 mm ² max Min. 0.4 Nm, Max. 0.8 Nm
USB	High speed USB 2.0	Cable cross-section area	
RS485	3 screw terminals per port	Screws tightening torque	
Cable cross-section area	1.5 mm ² max		
Screws tightening torque	Min. 0.4 Nm, Max. 0.8 Nm		

Connections

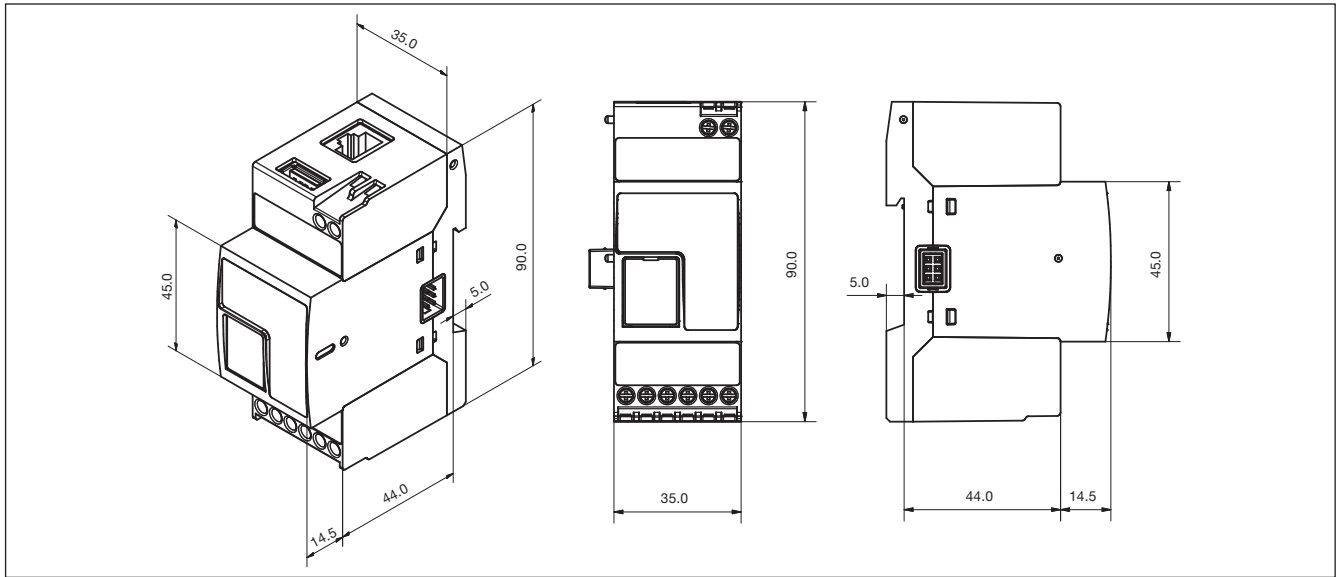


Mode of Operation

The GP32950030700 is part of the GPMZC-SET and it has no function without the channel generators GP32900003700.

Information regarding installation, programming and handling the GP32950030700 can be found in the datasheet GPMZC-SET or the MZC installation manual.

Dimensions



X-ON Electronics

Largest Supplier of Electrical and Electronic Components

Click to view similar products for [Counters & Tachometers](#) category:

Click to view products by [Carlo Gavazzi](#) manufacturer:

Other Similar products are found below :

[LC2H-FE-2K-N](#) [SM155115300](#) [LC24-F-N](#) [81333-26](#) [H7ER-NV1-H](#) [SM1557242K](#) [SM155724300](#) [26546848](#) [1-4615](#) [1-4625](#) [1-4635](#)
[1.230.301.038](#) [H5KLR-11](#) [100-240V AC/DC](#) [H7CX-AUD1-N](#) [H7CX-AW-N](#) [LC2H-C-2K-N](#) [LC2H-C-30-N](#) [LC2H-F-DL-2KK](#) [LC4H-R6-](#)
[AC240V](#) [1.150.510.012.550](#) [6.520.012.300](#) [6.560.010.300](#) [CT6S-1P4](#) [Y-50](#) [LC4H-R4-DC24V](#) [H5KLR-11](#) [12-48V AC/DC](#) [H7CX-A11-N](#)
[H7CX-AD-N](#) [H7CX-AU-N](#) [H7ER-NV1](#) [E53-COV19](#) [LC4H-W-R6-DC24VS](#) [UT372](#) [LC4H-W-R6-AC240V](#) [6.560.010.000](#) [LC2H-F-2KK](#)
[LC4H-R6-DC24V](#) [99776907](#) [AH5CK](#) [12-48V AC/DC](#) [87623570](#) [7111](#) [CLI-01](#) [AH5CK](#) [100-240V AC/DC](#) [H5KLR-8B](#) [100-240V AC/DC](#)
[H8DA](#) [100-240V AC/DC](#) [SM1551152K](#) [87621111](#) [99766922](#) [99776927](#) [VPC300](#)