

Overload Relays

Specifications

Electrical characteristics of power circuit

		GT12	GT32	GT63		GT95	
Relay type		12AF	32AF	63AF		95AF	
Type	Differential type (Phase failure protection)	GT125	GT32S	GT63S	GT63L	GT95S	GT95L
Tripping class(IEC 60947-4-1)		10	10	10	10	10	10
Terminal type		Screw clamp	Screw clamp	Screw clamp	Lug	Screw clamp	Lug
Number of poles		3	3	3	3	3	3
Rated operational voltage (Ue)		Up to 690V	Up to 690V	Up to 690V	Up to 690V	Up to 690V	Up to 690V
Rated insulation voltage (Ui)		690V	690V	690V	690V	690V	690V
Rated impulse voltage (Uimp)		6kV	6kV	6kV	6kV	6kV	6kV
Setting range		0.1~12A	0.1~32A	4~65A	4~65A	7~95A	7~95A
Degree of protection (IEC 60 529)		IP 20	IP 20	IP 20	IP 20	IP 20	IP 20
Temperature compensation (°C)		-5 ~ +40	-5 ~ +40	-5 ~ +40	-5 ~ +40	-5 ~ +40	-5 ~ +40
Functions							
	Trip indicating	●	●	●	●	●	●
	Stop	●	●	●	●	●	●
	Test	●	●	●	●	●	●
	Manual/Automatic Reset	●	●	●	●	●	●
Applied contactors		GC-9, 12	GC-18, 25, 32	GC-35, 40, 50, 63		GC-65, 75, 85, 95	

Note) is rated current.

Detail setting range and connection cable

Class				Current Setting range(A)	Wire		Type	Max. number of conductors	Short circuit "r"	
12AF	32AF	63AF	95AF		Size mm ²	AWG				
●	●			0.1~0.16	1	18	65/75°C Cu-wire only	2	-	
●	●			0.16~0.25						
●	●			0.25~0.4						
●	●			0.4~0.63						
●	●			0.63~1						
●	●			1~1.6						
●	●			1.6~2.5						
●	●			2.5~4						
●	●	●		4~6						
●	●	●		5~8						
●	●	●		6~9	1~1.5	18 ~16	65/75°C Cu-wire only	2	1kA	
●	●	●		7~10						
●	●	●	●	9~13						
	●	●	●	12~18						
	●	●	●	16~22						
	●	●	●	18~25						
	●	●	●	22~32						
	●	●	●	24~36						
	●	●	●	28~40						
	●	●	●	34~50						
		●	●	45~65	10~16	8~6	65/75°C Cu-wire only	2	3kA	
		●	●	54~75						
		●	●	63~85						
		●	●	70~95						
			●	70~95	25~35	4~3				5kA

Overload Relays

Characteristics class 10A

differential 3 heater type for direct mounting beneath contactors with connection by screw clamp terminals



GT12S



GT32S

Corresponding Contactors Type	Relay Setting Range A	Relay Types Differential 3 Heaters	Weight kg
GC9S GC12S	0.1~0.16	GT12S0.16A	0.1
	0.16~0.25	GT12S0.25A	
	0.25~0.4	GT12S0.4A	
	0.4~0.63	GT12S0.63A	
	0.63~1	GT12S1A	
	1~1.6	GT12S1.6A	
	1.6~2.5	GT12S2.5A	
	2.5~4	GT12S4A	
	4~6	GT12S6A	
	5~8	GT12S8A	
	6~9	GT12S9A	
7~10	GT12S10A		
9~13	GT12S13A		
GC18S GC25S GC32S	0.1~0.16	GT32S0.16A	0.17
	0.16~0.25	GT32S0.25A	
	0.25~0.4	GT32S0.4A	
	0.4~0.63	GT32S0.63A	
	0.63~1	GT32S1A	
	1~1.6	GT32S1.6A	
	1.6~2.5	GT32S2.5A	
	2.5~4	GT32S4A	
	4~6	GT32S6A	
	5~8	GT32S8A	
	6~9	GT32S9A	
	7~10	GT32S10A	
	9~13	GT32S13A	
	12~18	GT32S18A	
	16~22	GT32S22A	
18~25	GT32S25A		
22~32	GT32S32A		

Accessories

Separate mounting adapters and remote reset unit : see pages B-2-7 to B-2-8

Mounting

Direct mounting on to a contactor with screw clamp terminals

Overload Relays

Characteristics class 10A

differential 3 heater type for direct mounting beneath contactors
with connection by lug terminals



GT63L



GT95L

Corresponding Contactors Type	Relay Setting Range A	Relay Type Differential 3 Heaters	Weight Kg
GC35L GC40L GC50L GC63L	4~6	GT63L6A	0.33
	5~8	GT63L8A	
	6~9	GT63L9A	
	7~10	GT63L10A	
	9~13	GT63L13A	
	12~18	GT63L18A	
	16~22	GT63L22A	
	18~25	GT63L25A	
	24~36	GT63L36A	
	28~40	GT63L40A	
GC65L GC75L GC85L GC95L	34~50	GT63L50A	0.50
	45~65	GT63L65A	
	7~10	GT95L10A	
	9~13	GT95L13A	
	12~18	GT95L18A	
	16~22	GT95L22A	
	18~25	GT95L25A	
	24~36	GT95L36A	
	28~40	GT95L40A	
	34~50	GT95L50A	
45~65	GT95L65A		
54~75	GT95L75A		
63~85	GT95L85A		
70~95	GT95L95A		

Accessories

Separate mounting adapters and remote reset unit :
see pages B-2-7 to B-2-8

Mounting

Direct mounting on to a contactor with lug terminals



Overload Relays

Characteristics class 10A

differential 3 heater type for direct mounting beneath contactors with connection by screw clamp terminals



GT63S



GT95S

Corresponding Contactors Type	Relay Setting Range A	Relay Types Differential 3 Heaters	Weight kg	
GC35S	4~6	GT63S6A	0.31	
GC40S	5~8	GT63S8A		
GC50S	6~9	GT63S9A		
GC63S	7~10	GT63S10A		
	9~13	GT63S13A		
	12~18	GT63S18A		
	16~22	GT63S22A		
	18~25	GT63S25A		
	24~36	GT63S36A		
	28~40	GT63S40A		
	34~50	GT63S50A		
	45~65	GT63S65A		
GC65S	7~10	GT95S10A		0.48
GC75S	9~13	GT95S13A		
GC85S	12~18	GT95S18A		
GC95S	16~22	GT95S22A		
	18~25	GT95S25A		
	24~36	GT95S36A		
	28~40	GT95S40A		
	34~50	GT95S50A		
	45~65	GT95S65A		
	54~75	GT95S75A		
	63~85	GT95S85A		
	70~95	GT95S95A		

Accessories

Separate mounting adapters and remote reset unit : see pages B-2-7 to B-2-8

Mounting

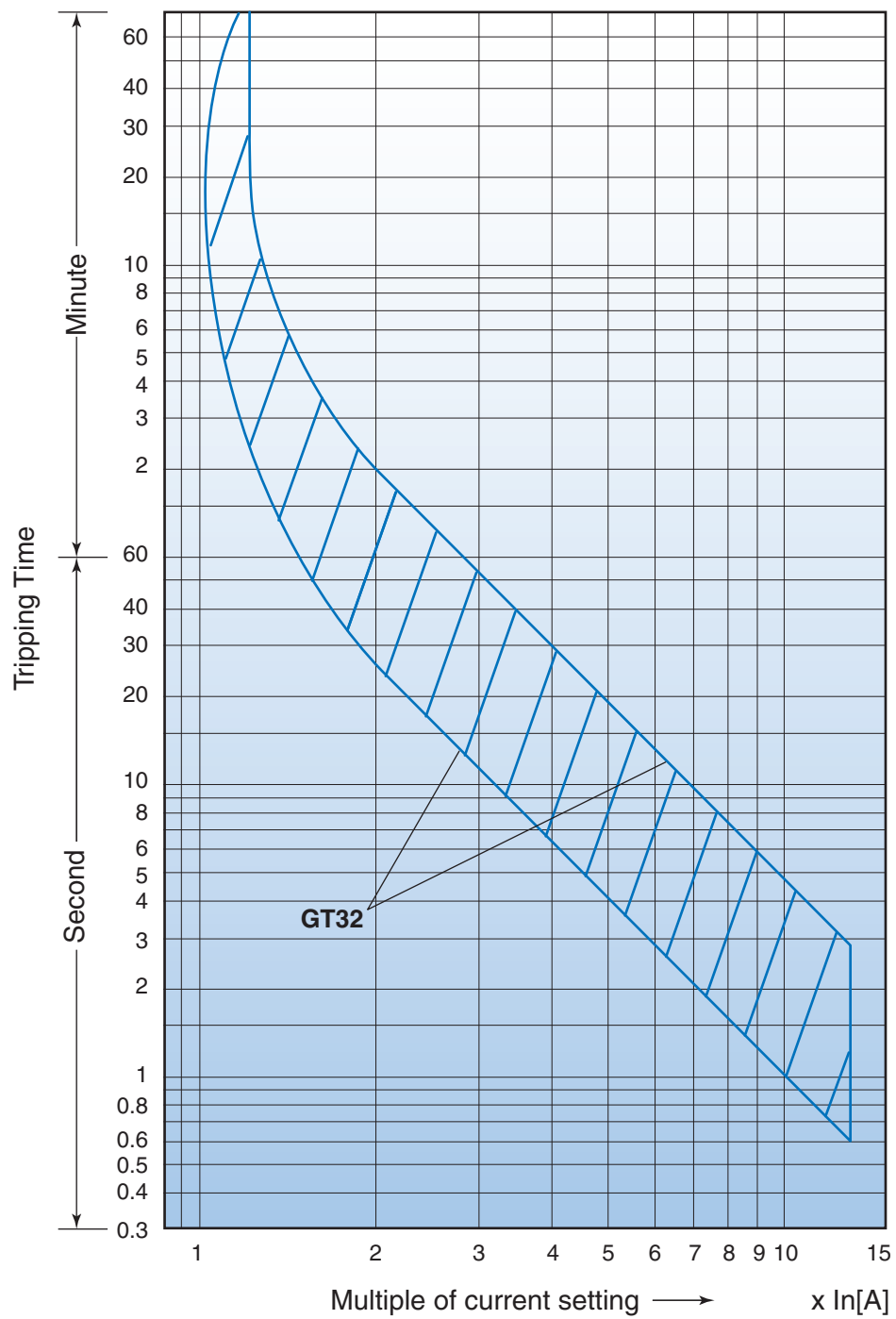
Direct mounting on to a contactor with screw clamp terminals

Overload Relays

Tripping characteristics

Cold starting

GT32



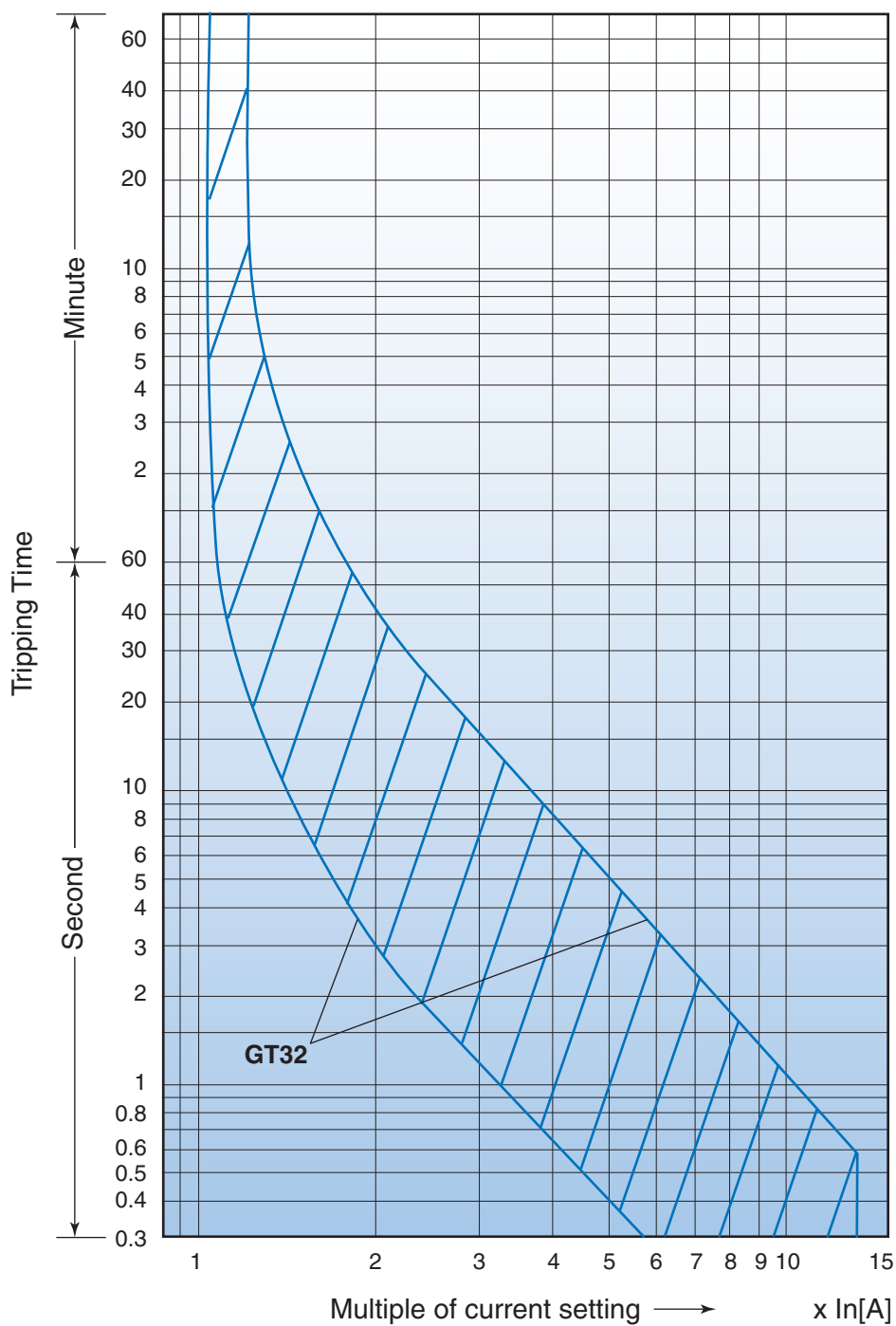


Overload Relays

Tripping characteristics

Hot starting

GT32

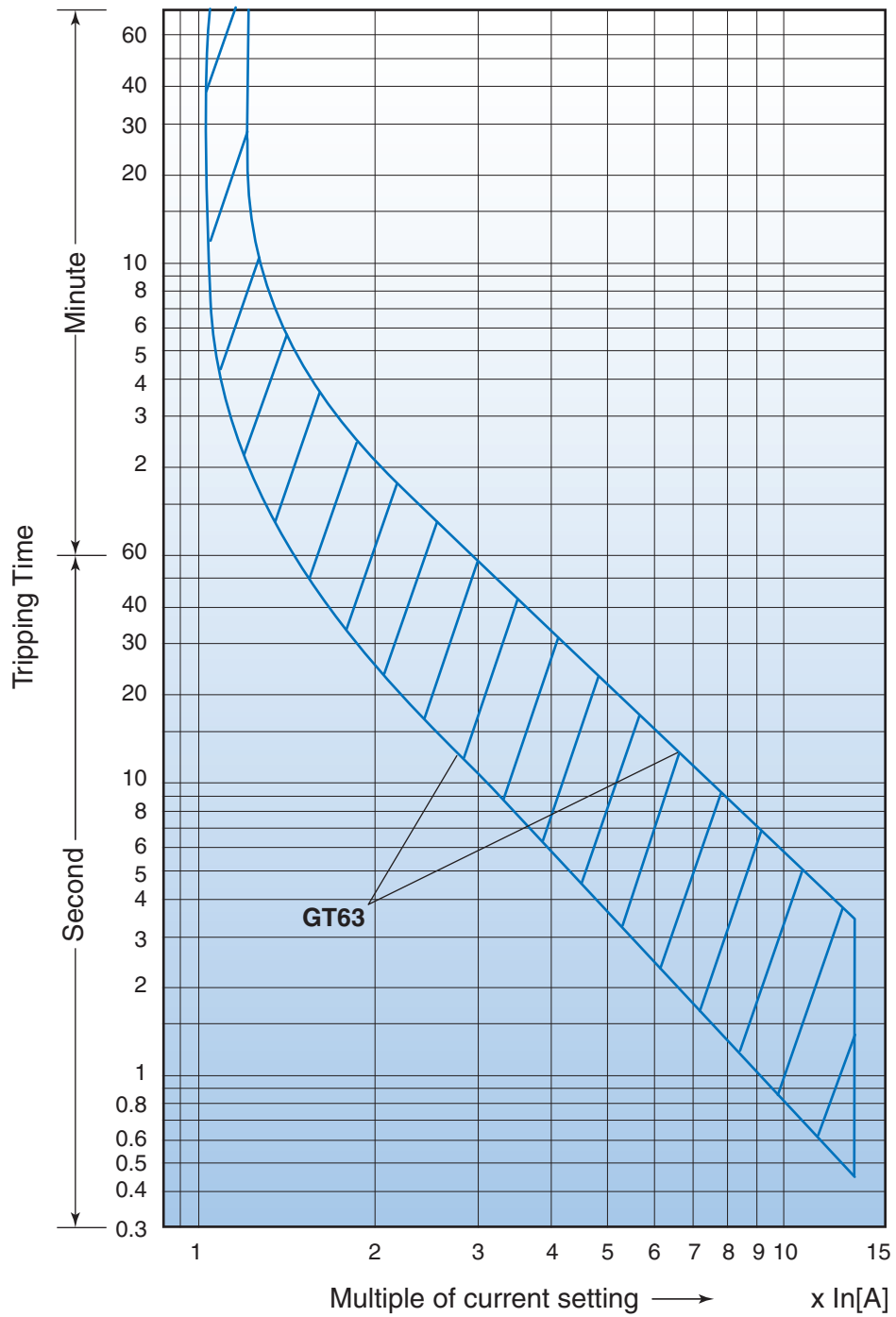


Overload Relays

Tripping characteristics

Cold starting

GT63



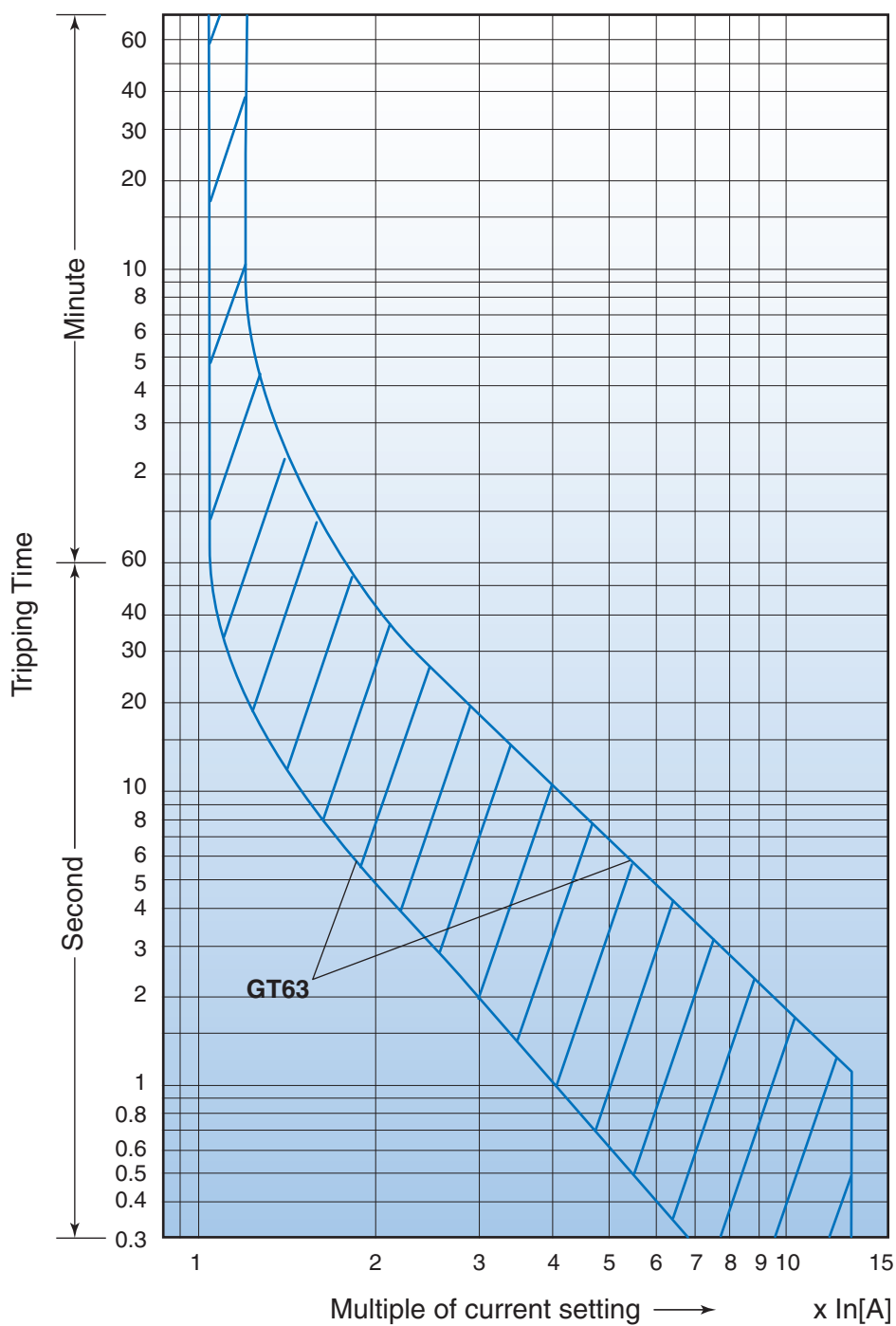


Overload Relays

Tripping characteristics

Hot starting

GT63

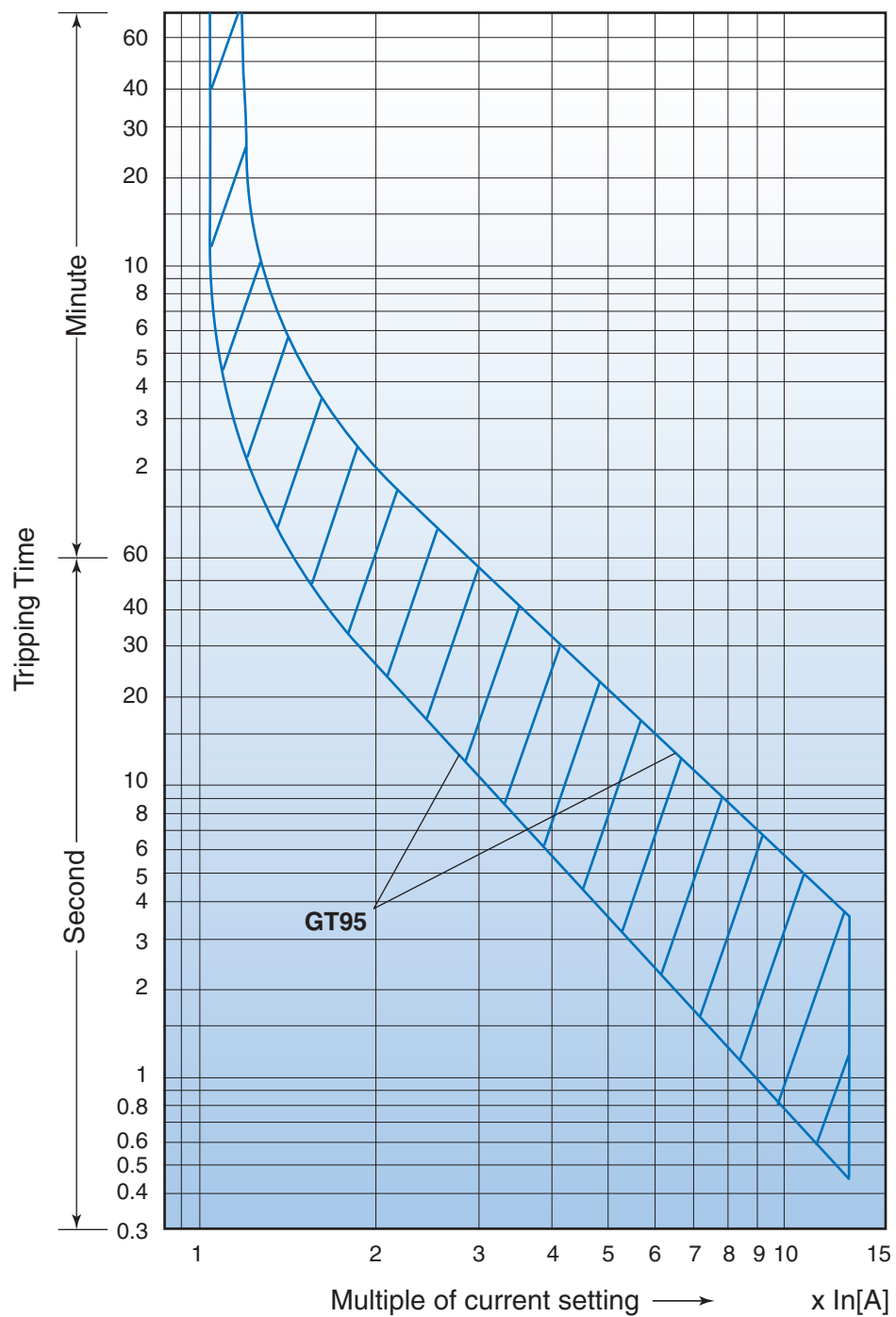


Overload Relays

Tripping characteristics

Cold starting

GT95



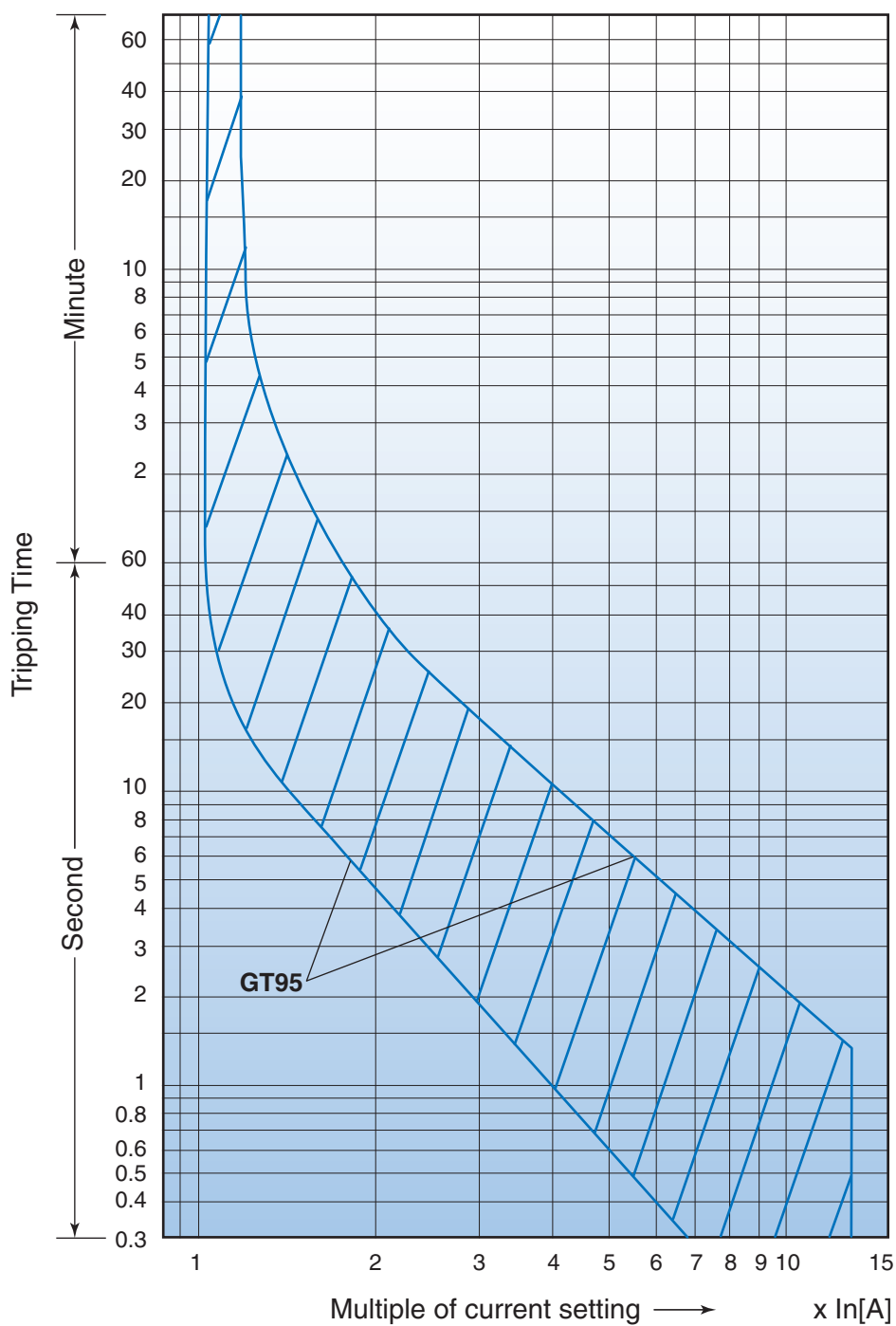


Overload Relays

Tripping characteristics

Hot starting

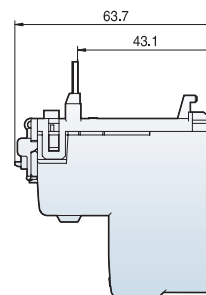
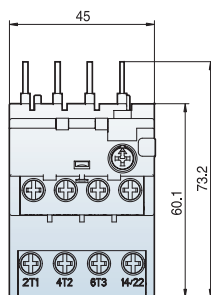
GT95



Overall Dimensions

Overload relays

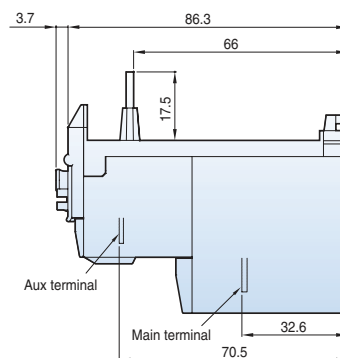
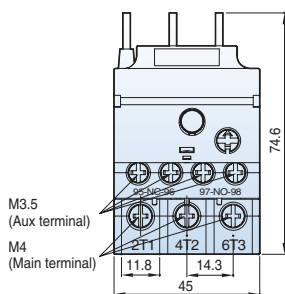
GT-12S



[mm]

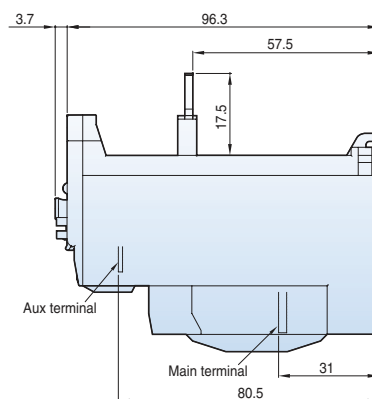
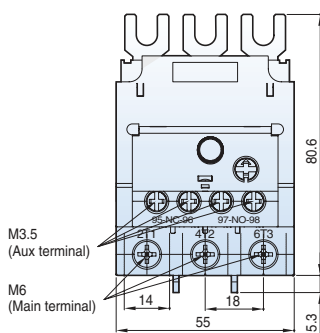
0.1kg

GT-32S



0.167kg

GT-63S



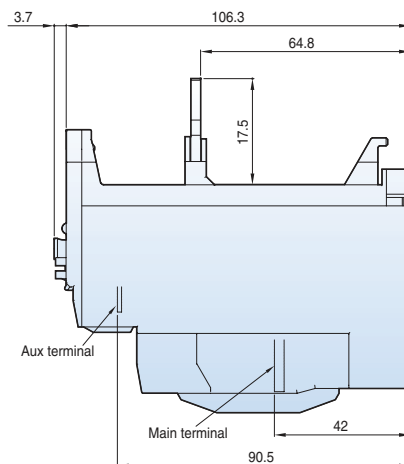
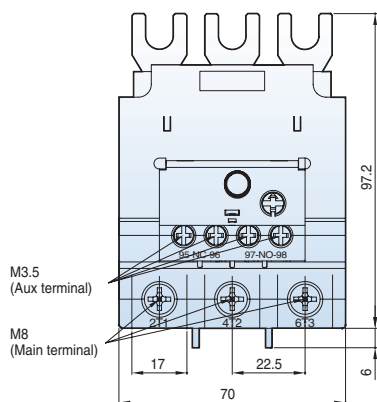
0.303kg



Overall Dimensions

Overload relays

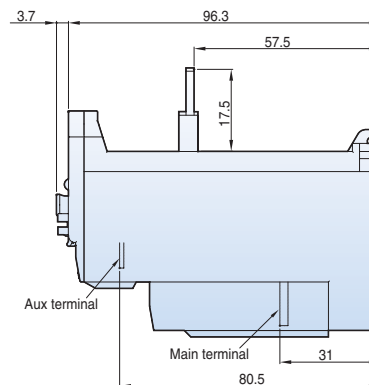
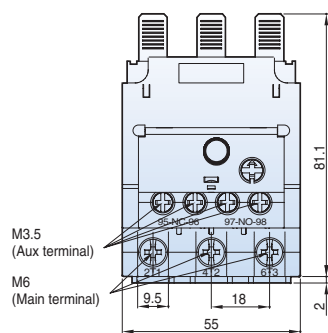
GT-95S



[mm]

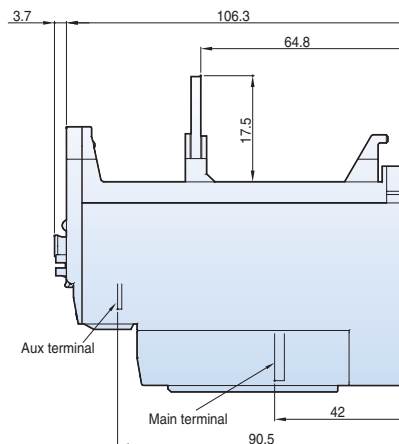
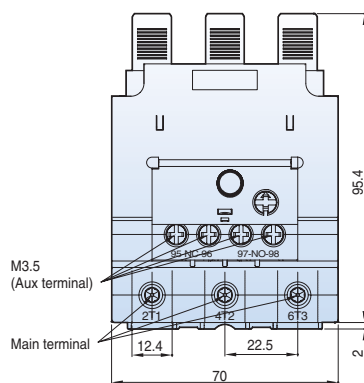
0.474kg

GT-63L



0.326kg

GT-95L



0.491kg

OVERLOAD RELAY NUMBERING SYSTEM

GT 32 S 6A

Overload Relay		
Frame Size		
12	32	63 95
Terminal Type		
S	Screw	
L	Lug	
<small>(for contactors with lug type terminals)</small>		
Setting Range		
Frame Size		
32	63	95
0.1-0.16	4-6	7-10
0.16-0.25	5-8	9-13
0.25-0.4	6-9	12-18
0.63-1	7-10	16-22
1-1.6	12-18	24-36
1.6-2.5	16-22	28-40
2.5-4	18-25	34-50
4-6	24-36	45-65
5-8	28-40	54-75
6-9	34-50	63-85
7-10	45-65	70-95
9-13		
12-18		
16-22		
18-25		
22-32		

Ordering Notes:

GT

GT

GT

GT

GT

GT

GT

GT

GT

GT

GT

GT

GT

GT

GT

GT

X-ON Electronics

Largest Supplier of Electrical and Electronic Components

Click to view similar products for [Industrial Relays](#) category:

Click to view products by [Carlo Gavazzi](#) manufacturer:

Other Similar products are found below :

[6-1617801-8](#) [6-1618107-9](#) [7-1618273-3](#) [EV250-4A-02](#) [EV250-6A-01](#) [FCA-125-CX8](#) [FCA-325-159](#) [FCA-410-138](#) [8000-S3121](#) [8-1618273-6](#)
[8-1618393-1](#) [GCA63A220VAC60HZ](#) [GCA63A277VAC60HZ](#) [GCA63A600VAC60HZ](#) [1-1672275-3](#) [1-1833005-4](#) [H-16/S1](#) [A711Z](#)
[ACC530U20](#) [ACC633U30](#) [ACC730U30](#) [DH18DA](#) [1423675-8](#) [AVR907](#) [15732A200](#) [B07B032AC1-0329](#) [B329](#) [B490A](#) [1618279-1](#)
[BHR124Y](#) [1810DDB-SX](#) [N417](#) [P30C42A12D1-120](#) [2-1617748-6](#) [2-1618396-6](#) [2-1618398-1](#) [JMGACD-5M](#) [JMGSC-5LW](#) [JMGSCD-5L](#)
[PBO-18A1218](#) [PBO-40A3040](#) [K8DSPH1200480VAC](#) [KA-3C-12A](#) [RT334012WG](#) [S160156115](#) [SAH159](#) [2944795](#) [301-17SX](#) [1618105-2](#)
[1618112-6](#)