

General Accessories

Mounting Material

Types FRS, HF, SM, FMD, PL



Front mounting bezel type FRS 2
For front panel mounting of S-housing timers. Front mounting bezel and S-housing snap together.

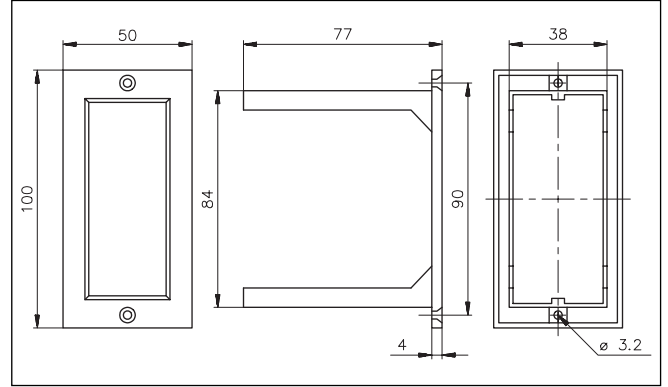
Material
Colour
Panel cutout

Glassfilled Noryl SE1
Light grey
84 x 38 mm

FRS 2



FRS 2 on a relay



Hold down spring type HF
For additional fixing of Scantimer- and S-housings in places with strong vibrations.

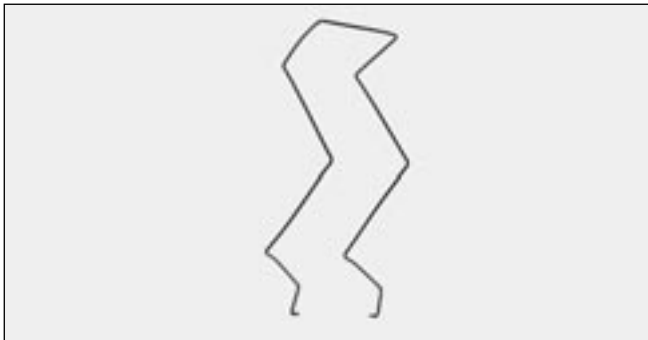
Material

Stainless steel spring wire

HF

To be used with socket type S 411 or D 411 B.

HF mounted on relay

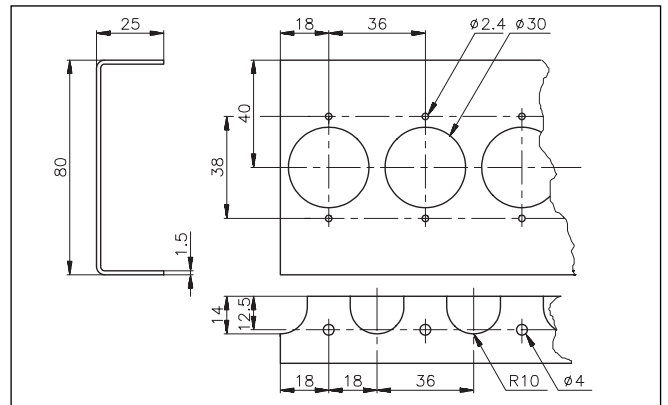


Mounting rack type SM 13
Mounting rack for 27 relays (S 108 and S 111).

Material
Length, standard

1.5 mm electroplated iron
970 mm

SM 13



Mounting Material (cont.)

DIN-rail type FMD 411

Mounting rail for socket type D 411 B, which is snapped on FMD 411. For surface fixing by means of two screws.

Material Dimensions

Electroplated steel
35 x 35 mm

FMD 411



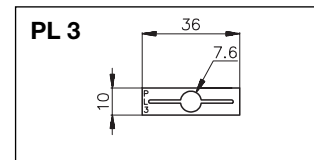
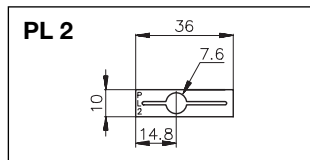
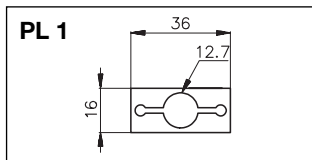
Potentiometer lock, types PL 1, PL 2, PL 3

For locking of potentiometer on Scantimer and S-housing timer. The potentiometer lock snaps to front of housing. Fitting potentiometer into the aperture of the lock secures the time set on knob-adjustable timers.

Material

Transparent polycarbonate

PL 1, PL 2, PL 3



PL 1 For timers with \varnothing 13 mm knobs.

PL 2 For timers with \varnothing 8 mm knobs.

PL 3 For timers with \varnothing 8 mm knobs.

X-ON Electronics

Largest Supplier of Electrical and Electronic Components

Click to view similar products for [Relay Sockets & Fixings](#) category:

Click to view products by [Carlo Gavazzi](#) manufacturer:

Other Similar products are found below :

[00008258500](#) [00111976502](#) [0000-825-81-00](#) [60SY4S05](#) [M41G](#) [670-0002](#) [670-0009](#) [670-0010](#) [670-0125](#) [670-0127](#) [6700152](#) [670-0153](#)
[6700156](#) [D258-2TS00](#) [70-309](#) [70-475-1](#) [7-1393143-3](#) [7-1616360-5](#) [8000-DG2-5](#) [911361](#) [9-1616339-5](#) [PJF11N](#) [GDA12HA](#) [GDA12HD](#)
[GDA12SA](#) [GDA12SD](#) [GDA16HD](#) [GDA22HA](#) [GDA95A](#) [GDA95D](#) [GFX20](#) [PT08QN](#) [PT 1/8 D = 3.2](#) [GUA1](#) [GUA2-11](#) [GUA4-04](#) [GUA4-](#)
[31](#) [GUM5R](#) [GUR-277](#) [GURX-277](#) [GUW12](#) [GUW95](#) [GUZ63L](#) [R99-11 FOR MY\(NAMEPLATE\)](#) [D52PR2T](#) [RES100K](#) [1310H-HDC](#)
[1390H-1ST](#) [1393824-3](#) [1390H-2PC](#)