

# Proximity Sensors Inductive

## Short body, Stainless Steel Housing

### Types IA, M5 w/short-circuit protection

CARLO GAVAZZI



- Miniature stainless steel housing M5
- Short body
- Sensing distance: 1.0 mm (0.8 mm for IA05BSF10NCP only)
- Power supply: 10 to 30 VDC
- Output: Transistor NPN/PNP, normally open or normally closed
- Protection: Reverse polarity and short-circuit protection
- LED-indication for output ON
- 2 m PVC cable or M8 plug

## Product Description

Miniature inductive proximity sensor with reduced body length. Output configuration for NPN/PNP with both NO and NC types as standard. M5 stainless steel housing. Connection with 2 m PVC cable or M8 plug.

## Ordering Key

**IA 05 BSF 10 NO M5 P**

Ind. prox. switch	IA
Housing style	05
Housing size	BSF
Housing material	10
Housing length	NO
Detection principle	M5
Sensing distance	P
Output type	
Output configuration	
Connection	
Protected	

## Type Selection

Rated operating dist. (S <sub>n</sub> )	Conn. type	Ordering no. Transistor NPN Normally open	Ordering no. Transistor NPN Normally closed	Ordering no. Transistor PNP Normally open	Ordering no. Transistor PNP Normally closed
0.8 mm <sup>1)</sup>	Cable		IA 05 BSF 10 NC P		
1.0 mm <sup>1)</sup>	Cable	IA 05 BSF 10 NO P		IA 05 BSF 10 PO P	IA 05 BSF 10 PC P
1.0 mm <sup>1)</sup>	Plug	IA 05 BSF 10 NO M5 P	IA 05 BSF 10 NC M5 P	IA 05 BSF 10 PO M5 P	IA 05 BSF 10 PC M5 P

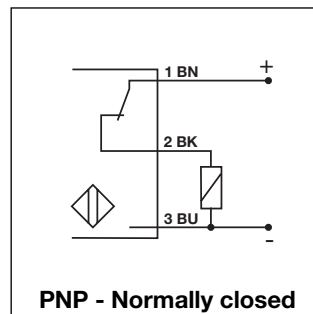
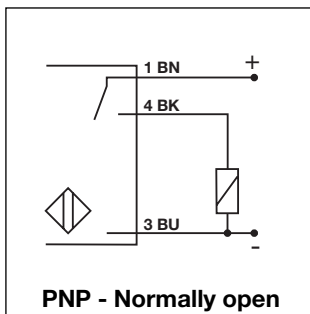
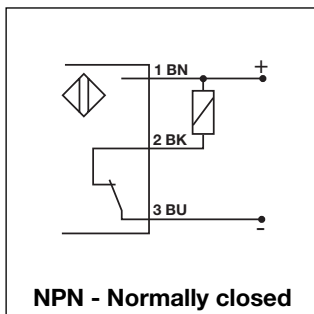
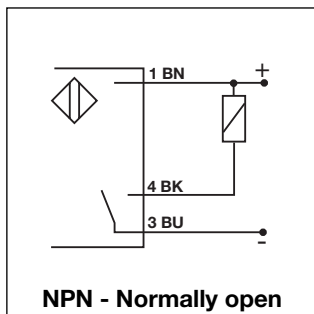
<sup>1)</sup> For flush mounting in metal

## Specifications

Rated operational volt. (U <sub>B</sub> )	10 to 30 VDC (ripple included)	Ambient temperature	
Ripple	≤ 10%	Operating	-25° to +70°C (-13° to +158°F)
Rated operational current (I <sub>a</sub> )		Storage	-30° to +75°C (-22° to +167°F)
Continuous	≤ 200 mA	Degree of protection	IP 67 (Nema 1, 3, 4, 6, 13)
No-load supply current (I <sub>o</sub> )	≤ 10 mA (ON)	Housing material	Stainless steel, AISI 303
Voltage drop (U <sub>d</sub> )	< 1.0 V (@ I <sub>max</sub> )	CE-marking	Yes
Protection	Reverse polarity and short-circuit protection	Connection	
Frequency of operating cycles (f)	2000 Hz	Cable	2 m, PVC, oil proof AWG 26/ 3 x 0.15 mm <sup>2</sup>
Indication for output ON	LED, yellow	Plug	M8, CONH5A-xxx Serie
Effective operating dist. (S <sub>r</sub> )	0.9 x S <sub>n</sub> ≤ S <sub>r</sub> ≤ 1.1 x S <sub>n</sub>		
Usable operating dist. (S <sub>u</sub> )	0.85 x S <sub>r</sub> ≤ S <sub>u</sub> ≤ 1.15 x S <sub>r</sub>		



## Wiring Diagrams



## Installation Hints

To avoid interference from inductive voltage/current peaks, separate the prox. switch power cables from any other power cables, e.g. motor, contactor or solenoid cables

Relief of cable strain

**Incorrect**  
**Correct**  
The cable should not be pulled

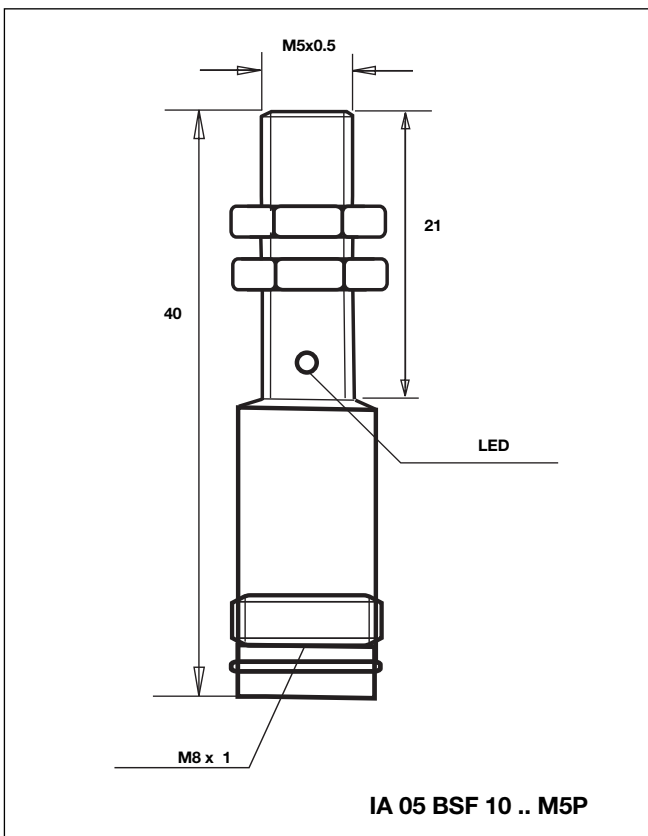
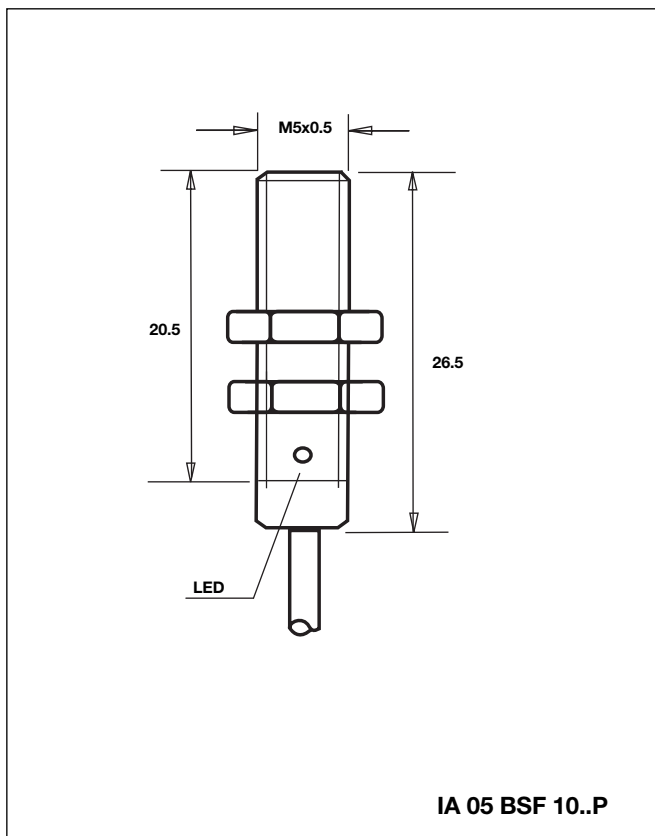
Protection of the sensing face

A proximity switch should not serve as mechanical stop

Switch mounted on mobile carrier

Any repetitive flexing of the cable should be avoided

## Dimensions



## X-ON Electronics

Largest Supplier of Electrical and Electronic Components

*Click to view similar products for [Proximity Sensors](#) category:*

*Click to view products by [Carlo Gavazzi](#) manufacturer:*

Other Similar products are found below :

[01.001.5653.1](#) [70.340.1028.0](#) [70.360.2428.0](#) [70.364.4828.0](#) [70.810.1053.0](#) [72.360.1628.0](#) [73.363.6428.0](#) [8027AL20NL2CPXX](#) [FYCC8E1-2](#)  
[9221350022](#) [922AA2W-A9P-L](#) [PLS2](#) [GL-12F-C2.5X10\(LOT3\)](#) [972AB2XM-A3N-L](#) [972AB3XM-A3P-L](#) [PS3251](#) [980659-1](#) [QT-12](#) [E2E2-](#)  
[X5M41-M4](#) [E2E-X14MD1-G](#) [E2E-X2D1-G](#) [E2EX2ME2N](#) [E2EX3D1SM1N](#) [E2E-X4MD1-G](#) [E2E-X5E1-5M-N](#) [E2E-X5Y2-N](#) [E2E-X7D1-](#)  
[M1J-T-0.3M-N](#) [E2FMX1R5D12M](#) [E2K-F10MC1](#) [5M](#) [EH-302](#) [EI3010TBOP](#) [EI5515NPAP](#) [MS605AU](#) [EP175-32000](#) [BSA-08-25-08](#)  
[IFRM04N35B1/L](#) [IFRM04P1513/S35L](#) [IFRM06P1703/S35L](#) [IFRM08P1501/S35L](#) [IFRM12N17G3/L](#) [IFRM12P17G3/L](#) [IFRM12P3502/L](#)  
[IFRM12P37G1/S14L](#) [ILFK12E9189/I02](#) [ILFK12E9193/I02](#) [IMM2582C](#) [OISN-013](#) [25.161.3253.0](#) [25.332.0653.1](#) [25.352.0653.0](#)