

# Proximity Sensors Inductive High Temperature, Nickel-plated Brass Housing Types IA, M12

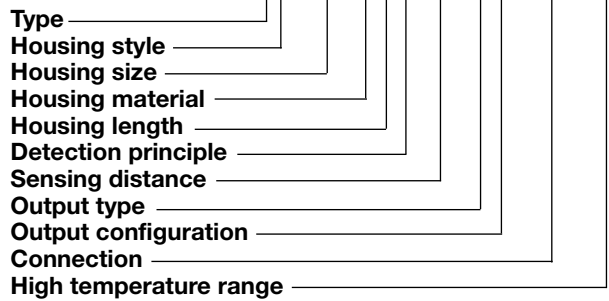


- Nickel-plated brass housing
- Sensing distance:  
Flush mounting: 2 mm or  
Non-flush mounting: 4 mm
- Power supply: 10 to 30 VDC
- Output: Transistor PNP and NPN, normally open
- High temperature range: -40° to +100°C
- Protection: Short-circuit
- LED-indication for output ON
- 2 m PUR cable or M12 plug

## Product Description

Inductive proximity sensor in M12 nickel-plated brass housing for high temperature applications. Output configuration PNP, and NPN NO (make switching). Connection with 2 m PUR cable or M12 plug.

## Ordering Key IA 12 ASF 02 PO M1 HT-K



## Type Selection

Rated operating distance (S <sub>n</sub> )	Connection type	Ordering no. Transistor PNP, Normally open	Ordering no. Transistor NPN, Normally open
2.0 mm <sup>1)</sup> 2.0 mm <sup>1)</sup>	Cable Plug M12	IA 12 ASF 02 PO HT-K IA 12 ASF 02 PO M1 HT-K	
4.0 mm 4.0 mm	Cable Plug M12	IA 12 ASN 04 PO HT-K IA 12 ASN 04 PO M1 HT-K	IA 12 ASN 04 NO HT-K

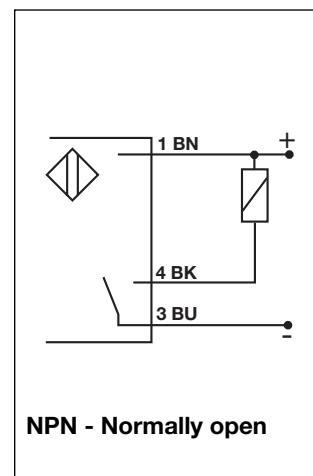
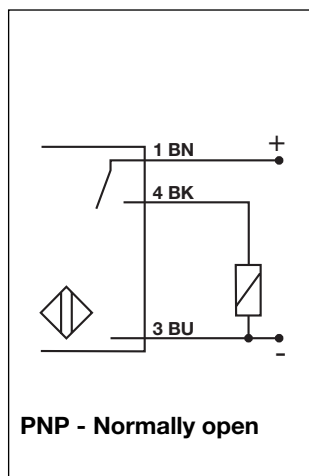
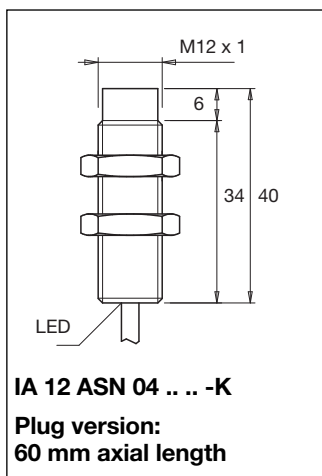
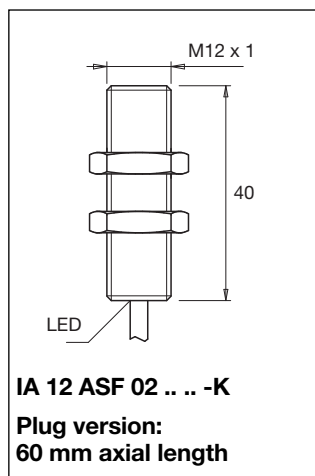
<sup>1)</sup> For flush mounting in metal

## Specifications

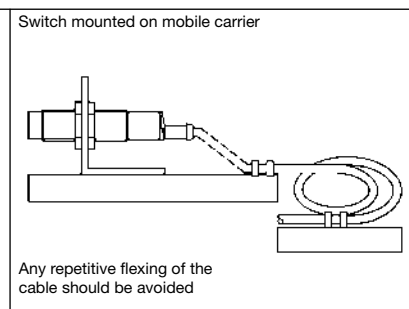
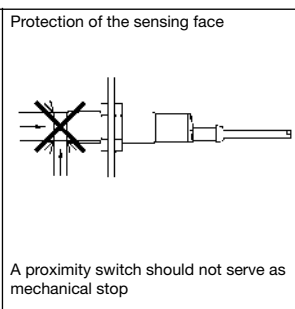
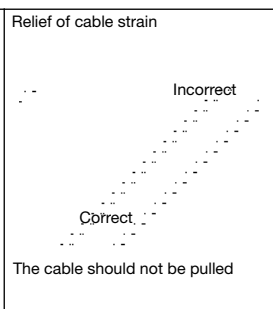
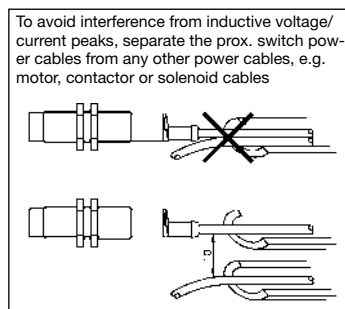
<b>Rated operational volt. (U<sub>B</sub>)</b>	10 to 30 VDC (ripple included)	<b>Effective operating dist. (S<sub>r</sub>)</b>	0.9 x S <sub>n</sub> ≤ S <sub>r</sub> ≤ 1.1 x S <sub>n</sub>
<b>Ripple</b>	≤ 10%	<b>Usable operating dist. (S<sub>u</sub>)</b>	0.85 x S <sub>r</sub> ≤ S <sub>u</sub> ≤ 1.15 x S <sub>r</sub>
<b>Rated operational current (I<sub>a</sub>)</b> Continuous	≤ 200 mA @ + 25°C (+75°F)	<b>Ambient temperature</b> Operating	-40° to +100°C (-40° to +212°F)
<b>No-load supply current (I<sub>o</sub>)</b>	≤ 20 mA (ON)	Storage	-45° to +105°C (-49° to +221°F)
<b>Voltage drop (U<sub>d</sub>)</b>	< 2,4 V (@ I <sub>max</sub> )	<b>Degree of protection</b>	IP 67 (Nema 1, 3, 4, 6, 13)
<b>Protection</b>	Short circuit	<b>Housing material</b>	Nickel-plated brass
<b>Frequency of operating cycles (f)</b>	IA12ASF: 2 kHz IA12ASN: 1 kHz	<b>CE-marking</b>	Yes
<b>Indication for output ON</b>	LED, yellow	<b>Connection</b>	Cable, 2 m, PUR, AWG 22 or Plug M12, CONH1A-xxx series
<b>Sensing distance</b>	IA12ASF: 2 mm IA12ASN: 4 mm		

## Dimensions

## Wiring Diagrams



## Installation Hints



## X-ON Electronics

Largest Supplier of Electrical and Electronic Components

*Click to view similar products for [Proximity Sensors](#) category:*

*Click to view products by [Carlo Gavazzi](#) manufacturer:*

Other Similar products are found below :

[01.001.5653.1](#) [70.340.1028.0](#) [70.360.2428.0](#) [70.364.4828.0](#) [70.810.1053.0](#) [72.360.1628.0](#) [73.363.6428.0](#) [8027AL20NL2CPXX](#) [FYCC8E1-2](#)  
[9221350022](#) [922AA2W-A9P-L](#) [PLS2](#) [GL-12F-C2.5X10\(LOT3\)](#) [972AB2XM-A3N-L](#) [972AB3XM-A3P-L](#) [PS3251](#) [980659-1](#) [QT-12](#) [E2E2-](#)  
[X5M41-M4](#) [E2E-X14MD1-G](#) [E2E-X2D1-G](#) [E2EX2ME2N](#) [E2EX3D1SM1N](#) [E2E-X4MD1-G](#) [E2E-X5E1-5M-N](#) [E2E-X5Y2-N](#) [E2E-X7D1-](#)  
[M1J-T-0.3M-N](#) [E2FMX1R5D12M](#) [E2K-F10MC1](#) [5M](#) [EH-302](#) [EI3010TBOP](#) [EI5515NPAP](#) [MS605AU](#) [EP175-32000](#) [BSA-08-25-08](#)  
[IFRM04N35B1/L](#) [IFRM04P1513/S35L](#) [IFRM06P1703/S35L](#) [IFRM08P1501/S35L](#) [IFRM12N17G3/L](#) [IFRM12P17G3/L](#) [IFRM12P3502/L](#)  
[IFRM12P37G1/S14L](#) [ILFK12E9189/I02](#) [ILFK12E9193/I02](#) [IMM2582C](#) [OISN-013](#) [25.161.3253.0](#) [25.332.0653.1](#) [25.352.0653.0](#)