

Proximity Sensors Inductive Thermoplastic Polyester Housing Type IC 40, 40 x 40 x 118 mm

CARLO GAVAZZI



- Rotable-head, 5 positions
- Mounting dimensions in accordance with DIN 43694
- Thermoplastic polyester housing
- Sensing distance: 30 mm
- LED-indication for power and output ON
- Fully protected
- DC types 4-wire NO & NC, 10-30 VDC
- AC/DC types 2-wire NO or NC, 20-250 VAC/DC
- AC type 2-wire NO & NC

Product Description

Inductive proximity switch in standard limit switch housing. Rugged polyester housing. Sensing face adjustable in up to 5 positions. 2-wire AC/DC for maximum efficiency.

Ordering Key

IC40CNN30NAT1

Ind. prox. switch	_____
Housing style	_____
Housing size	_____
Housing material	_____
Housing length	_____
Detection principle	_____
Sensing distance	_____
Output type	_____
Output configuration	_____
Connection	_____

Type Selection - DC

Rated operating dist. (S _n)	Ordering no. Transistor NPN Normally open & normally closed	Ordering no. Transistor PNP Normally open & normally closed
30 mm ¹⁾	IC40CNN30NAT1	IC40CNN30PAT1

¹⁾ For non-flush mounting

Type Selection - AC and AC/DC

Rated operating dist. (S _n)	Ordering no. Power MOSFET Normally open, AC/DC	Ordering no. Power MOSFET Normally closed, AC/DC	Ordering no. Power MOSFET Normally open & closed, AC
30 mm ¹⁾	IC40CNN30COT1	IC40CNN30CCT1	IC40CNN30TAT1 ²⁾

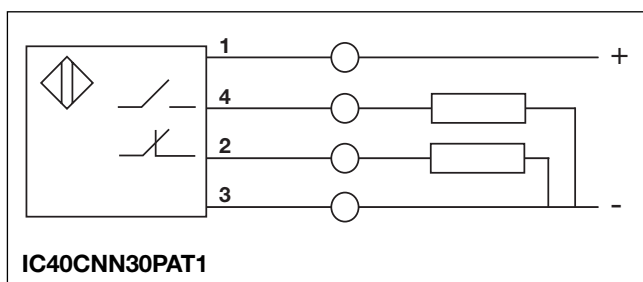
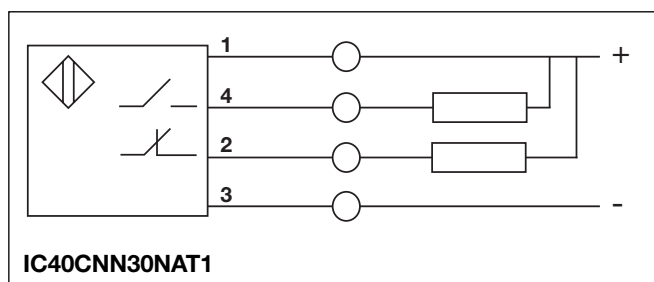
¹⁾ For non-flush mounting

²⁾ Delivered: NO

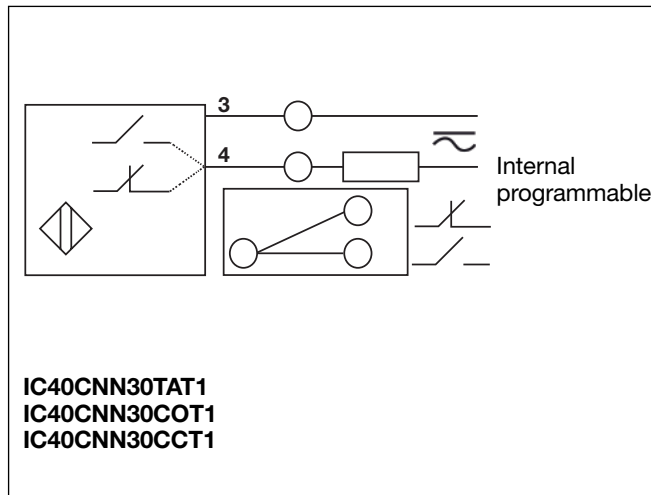
Specifications

	Transistor NPN/PNP	Power MOSFET output AC types
Rated operational voltage (U_B)	10 to 30 VDC (rippled included)	20 to 250 VAC/VDC (VAC: 45 to 65 Hz)
Ripple	≤ 15%	-
Rated operational current (I_a)		
Continuous	≤ 200 mA	5 - 200 mA @ 25°C 5 - 160 mA @ 70°C
Short-time	-	≤ 2 A, $t \leq 20$ ms (Max. 1 pulse per s)
No-load supply current (I_o)	≤ 25 mA	-
Minimum load current	-	5 mA
OFF-state current (I_l) (leakage)	50 μ A	≤ 2.5 mA
Voltage drop (U_d)	< 1.5 VDC	≤ 10.0 VAC; ≤ 8.0 VDC
Protection	Reverse polarity, short-circuit	Short-circuit (except for IC40CNN30TAT1)
Power ON delay	≤ 100 ms	≥ 100 ms
Frequency of operating cycles (f)	≤ 100 Hz	≤ 25 Hz AC; 40 Hz DC
Indication for supply ON (LED 2)	LED, green	LED, green
Indication for output ON (LED 1)	LED, red	LED, red
Rated operating dist. (S_n)	30 mm	30 mm
Repeat accuracy (R)	≤ 1%	≤ 1%
Hysteresis (H) (Differential travel)	3 to 20% of sensing distance	3 to 20% of sensing distance
Effective operating dist. (S_r)	$0.9 \times S_n \leq S_r \leq 1.1 \times S_n$	$0.9 \times S_n \leq S_r \leq 1.1 \times S_n$
Usable operating dist. (S_u)	$0.9 \times S_r \leq S_u \leq 1.1 \times S_r$	$0.9 \times S_r \leq S_u \leq 1.1 \times S_r$
Ambient temperature		
Operating	-25° to +70°C (-13° to +158°F)	-25° to +70°C (-13° to +158°F)
Storage	-30° to +80°C (-22° to +176°F)	-30° to +80°C (-22° to +176°F)
Degree of protection	IP 67(Nema 1, 3, 4, 6, 13)	IP 67 (Nema 1, 3, 4, 6, 13)
Shock resistance	30 G/ 11 ms	30 G/ 11 ms
Vibration resistance	10 to 50 Hz/1 mm/5 min.	10 to 50 Hz/1 mm/5 min.
Housing material	PBT	PBT
Terminal block	4 terminals for 2 x 2.5 mm ² wires, self-lifting	2 terminals for 2 x 2.5 mm ² wires, self-lifting
Cable gland	M20 x 1.5	M20 x 1.5
Weight	200 g	200 g
CE-marking	Yes	Yes

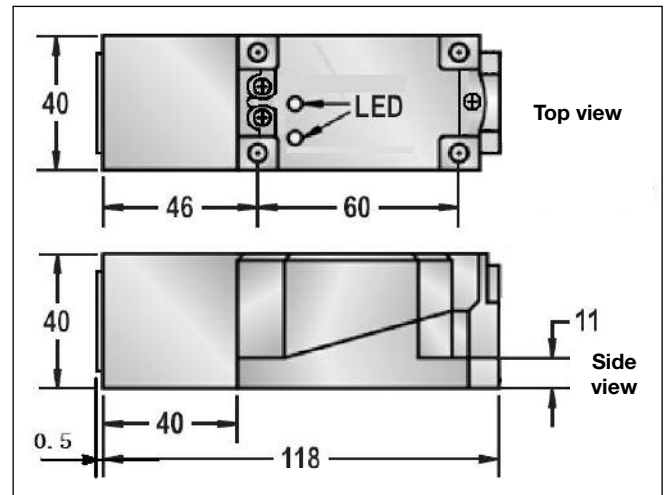
Wiring Diagrams



Wiring Diagrams (cont.)



Dimensions



Installation Hints

Installation examples

Sensing surface on head ("top"); other orientations of the sensing surface mean deviations from nominal sensing distance.

Figure 1
a (mm) ≥ 40
S_n (mm) ≤ 20

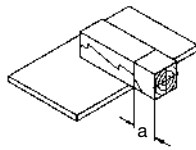


Figure 2
a (mm) ≥ 40
S_n (mm) ≤ 25

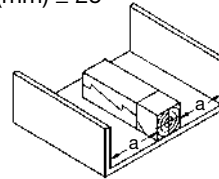
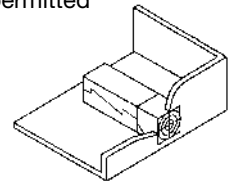


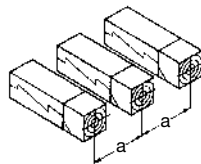
Figure 3
Flush mounting not permitted



Adjacent mounting

To avoid cross-interference when mounting the sensors next to each other, the given separations (a) should be maintained.

Figure 4
a (mm) ≥ 120



X-ON Electronics

Largest Supplier of Electrical and Electronic Components

Click to view similar products for [Proximity Sensors](#) category:

Click to view products by [Carlo Gavazzi](#) manufacturer:

Other Similar products are found below :

[01.001.5653.1](#) [70.340.1028.0](#) [70.360.2428.0](#) [70.364.4828.0](#) [70.810.1053.0](#) [72.360.1628.0](#) [73.363.6428.0](#) [8027AL20NL2CPXX](#) [FYCC8E1-2](#)
[9221350022](#) [922AA2W-A9P-L](#) [PLS2](#) [GL-12F-C2.5X10\(LOT3\)](#) [972AB2XM-A3N-L](#) [972AB3XM-A3P-L](#) [PS3251](#) [980659-1](#) [QT-12](#) [E2E2-](#)
[X5M41-M4](#) [E2E-X14MD1-G](#) [E2E-X2D1-G](#) [E2EX2ME2N](#) [E2EX3D1SM1N](#) [E2E-X4MD1-G](#) [E2E-X5E1-5M-N](#) [E2E-X5Y2-N](#) [E2E-X7D1-](#)
[M1J-T-0.3M-N](#) [E2FMX1R5D12M](#) [E2K-F10MC1](#) [5M](#) [EH-302](#) [EI3010TBOP](#) [EI5515NPAP](#) [MS605AU](#) [EP175-32000](#) [BSA-08-25-08](#)
[IFRM04N35B1/L](#) [IFRM04P1513/S35L](#) [IFRM06P1703/S35L](#) [IFRM08P1501/S35L](#) [IFRM12N17G3/L](#) [IFRM12P17G3/L](#) [IFRM12P3502/L](#)
[IFRM12P37G1/S14L](#) [ILFK12E9189/I02](#) [ILFK12E9193/I02](#) [IMM2582C](#) [OISN-013](#) [25.161.3253.0](#) [25.332.0653.1](#) [25.352.0653.0](#)