

Proximity Inductive Sensors Extended Range, Nickel-Plated Brass Housing Types ICB, M12

CARLO GAVAZZI



- Sensing distance: 4 mm
- Flush types
- Short and long body versions
- Rated operational voltage (U_b): 10 - 36 VDC
- Output: DC 200 mA, NPN or PNP
- Normally open, Normally closed
- LED indication for output ON
- Protection: reverse polarity, short circuit, transients
- Cable and M12 plug versions
- According to IEC 60947-5-2
- CSA certified for Hazardous Locations

Product Description

A family of inductive proximity switches in industrial standard nickel-plated brass housings. They are able to handle applications where

high sensing range is requested. Output is open collector NPN or PNP transistors.

Ordering Key

ICB12SF04NOM1

Type _____
Housing style _____
Housing material _____
Housing size _____
Housing length _____
Detection principle _____
Sensing distance _____
Output type _____
Output configuration _____
Connection _____

Type Selection

Conne- ction	Body style	Rated operating distance S_n	Ordering no.	Ordering no.	Ordering no.	Ordering no.
			NPN Normally open	PNP Normally open	NPN Normally closed	PNP Normally closed
Cable	Short	4 mm	ICB 12 SF 04 NO	ICB 12 SF 04 PO	ICB 12 SF 04 NC	ICB 12 SF 04 PC
Plug	Short	4 mm	ICB 12 SF 04 NOM1	ICB 12 SF 04 POM1	ICB 12 SF 04 NCM1	ICB 12 SF 04 PCM1
Cable	Long	4 mm	ICB 12 LF 04 NO	ICB 12 LF 04 PO	ICB 12 LF 04 NC	ICB 12 LF 04 PC
Plug	Long	4 mm	ICB 12 LF 04 NOM1	ICB 12 LF 04 POM1	ICB 12 LF 04 NCM1	ICB 12 LF 04 PCM1

Specifications

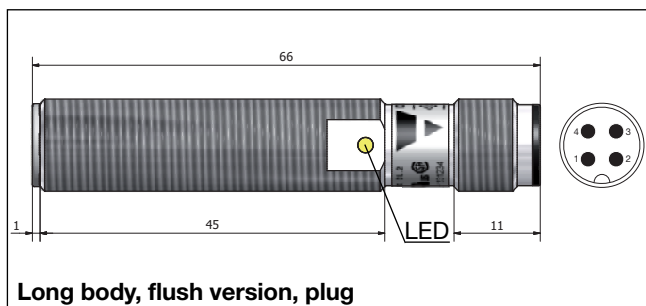
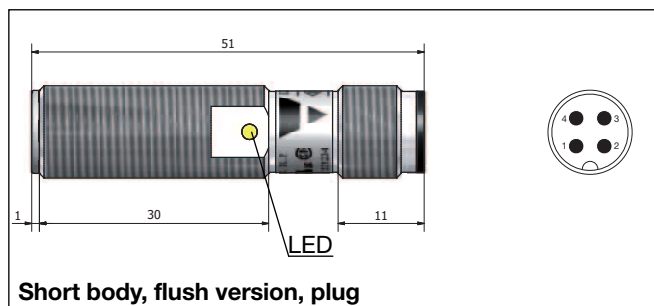
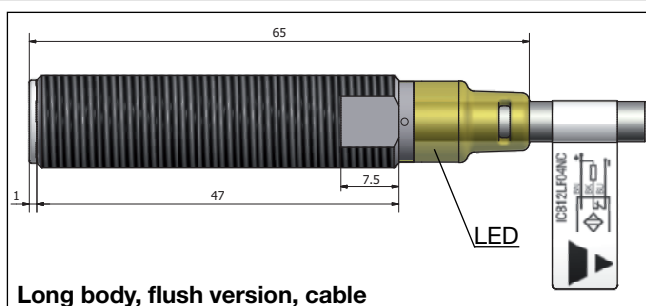
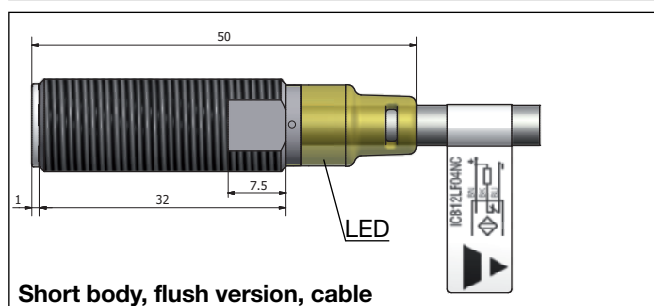
Rated operational voltage (U_b)	10 to 36 VDC (ripple incl.)	Indication for short circuit/ overload	LED blinking
Ripple	$\leq 10\%$	Assured operating sensing distance (S_a)	$0 \leq S_a \leq 0.81 \times S_n$
Output current (I_o)	≤ 200 mA @ 50°C (≤ 150 mA @ 50-70°C)	Effective operating distance (S_r)	$0.9 \times S_n \leq S_r \leq 1.1 \times S_n$
OFF-state current (I_r)	≤ 50 μ A	Usable operating distance (S_u)	$0.9 \times S_r \leq S_u \leq 1.1 \times S_r$
No load supply current (I_o)	≤ 15 mA	Repeat accuracy (R)	$\leq 10\%$
Voltage drop (U_d)	Max. 2.5 VDC @ 200 mA	Differential travel (H) (Hysteresis)	1 to 20% of sensing dist.
Protection	Reverse polarity, short-circuit, transients	Ambient temperature	Operating -25° to +70°C (-13° to +158°F) Storage -30° to +80°C (-22° to +176°F)
Voltage transient	1 kV/0.5 J	Shock and vibration	IEC 60947-5-2/7.4
Power ON delay (t_v)	300 ms	Housing material	Body Nickel-plated brass Front Grey thermoplastic polyester
Operating frequency (f)	≤ 2000 Hz		
Indication for output ON	Activated LED, yellow		
NO version	Target present		
NC version	Target not present		



Specifications (cont.)

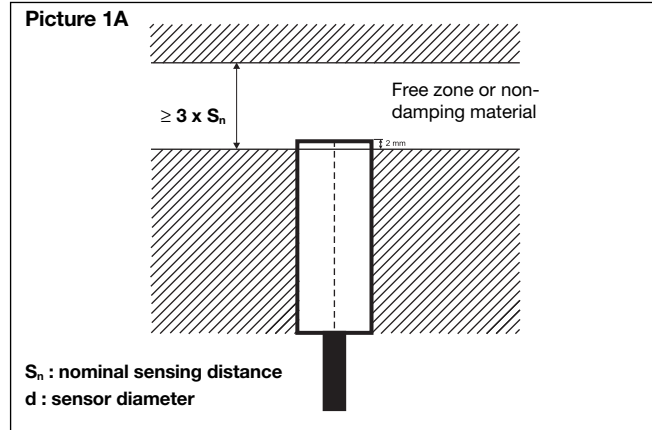
Connection		Approvals (cont.)	
Cable	2 m, 3 x 0.25 mm ² , grey PVC, oil proof M12 x 1	cCSAus	As Process Control Equipment for Hazardous Locations.
Plug		Note:	The terminal connector (version ...M1) was not evaluated. The suitability of the terminal connector should be determined in the end-use application.
Degree of protection	IP 67		
Weight (cable/nuts included)			
Cable	Max. 120 g		
Plug	Max. 30 g		
Dimensions	See diagrams below		
Tightening torque			
Distance from sensing face from 2 mm to 5 mm	4 Nm		
> 5 mm	10 Nm		
Approvals		CE-marking	Yes
UL (cULus), CSA	As Industrial Control Equipment - Proximity Switches. Types 1, 4, 4X or 12. Max ambient temperature 40°C.	EMC protection	According to IEC 60947-5-2
		IEC 61000-4-2 (ESD)	8 kV air discharge, 4 kV contact discharge
		IEC 61000-4-3	3 V/m
		IEC 61000-4-4	2 kV
		IEC 61000-4-6	3 V
		IEC 61000-4-8	30 A/m

Dimensions

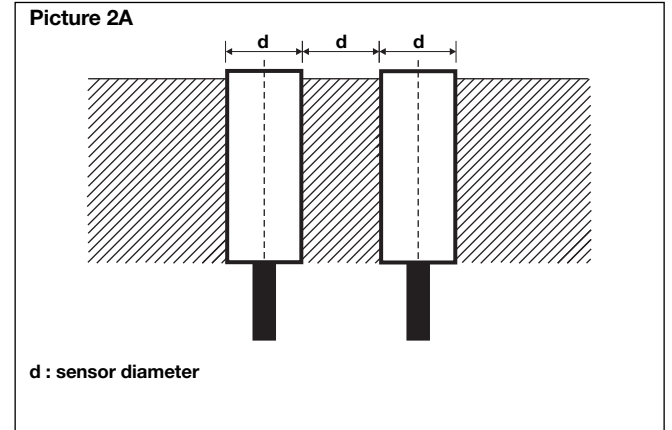


Installation

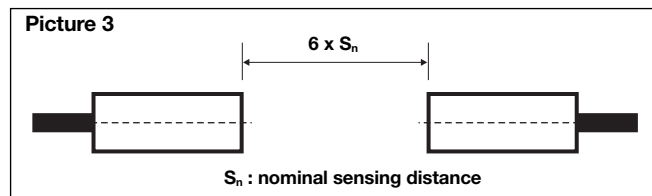
Flush sensor, when installed in damping material, must be according to Picture 1A.



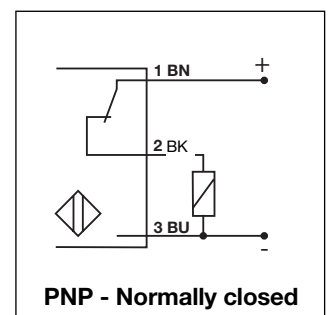
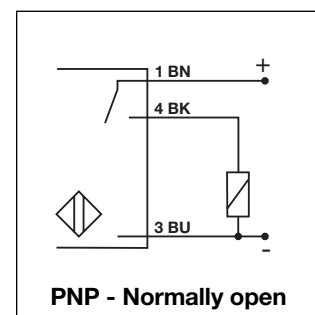
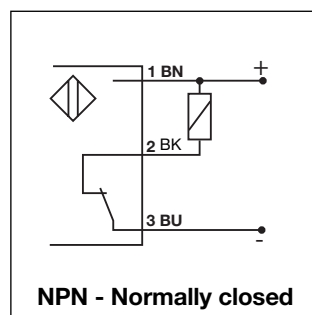
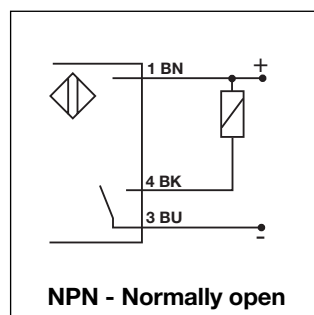
Flush sensors, when installed together in damping material, must be according to Picture 2A.



For sensors installed opposite each other, a minimum space of $6 \times S_n$ (the nominal sensing distance) must be observed (See Picture 3).



Wiring Diagrams

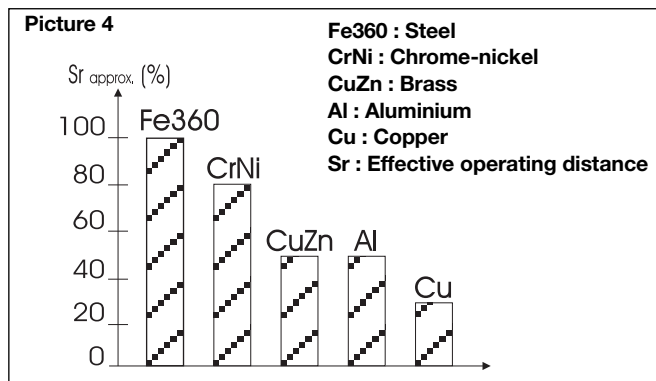




Reduction factors

The rated operating distance is reduced by the use of metals and alloys other than Fe360.

The most important reduction factors for inductive proximity sensors are shown in Picture 4.



Delivery Contents

- Inductive proximity switch ICB.
- 2 nuts NPB
- Packaging: plastic bag

Accessories for Plug Versions

	PVC	PUR
3-wire angled connector, 2 m cable	CONB13NF-A2	CONB13NF-A2P
3-wire angled connector, 5 m cable	CONB13NF-A5	CONB13NF-A5P
3-wire angled connector, 10 m cable	CONB13NF-A10	CONB13NF-A10P
3-wire angled connector, 15 m cable	CONB13NF-A15	CONB13NF-A15P
3-wire straight connector, 2m cable	CONB13NF-S2	CONB13NF-S2P
3-wire straight connector, 5m cable	CONB13NF-S5	CONB13NF-S5P
3-wire straight connector, 10m cable	CONB13NF-S10	CONB13NF-S10P
3-wire straight connector, 15m cable	CONB13NF-S15	CONB13NF-S15P

For any additional information or different options, please refer to the "General Accessories - Connector Cables -Type CONB1..." datasheets.

X-ON Electronics

Largest Supplier of Electrical and Electronic Components

Click to view similar products for [Proximity Sensors](#) category:

Click to view products by [Carlo Gavazzi](#) manufacturer:

Other Similar products are found below :

[01.001.5653.1](#) [70.340.1028.0](#) [70.360.2428.0](#) [70.364.4828.0](#) [70.810.1053.0](#) [72.360.1628.0](#) [73.363.6428.0](#) [8027AL20NL2CPXX](#) [FYCC8E1-2](#)
[9221350022](#) [922AA2W-A9P-L](#) [PLS2](#) [GL-12F-C2.5X10\(LOT3\)](#) [972AB2XM-A3N-L](#) [972AB3XM-A3P-L](#) [PS3251](#) [980659-1](#) [QT-12](#) [E2E2-](#)
[X5M41-M4](#) [E2E-X14MD1-G](#) [E2E-X2D1-G](#) [E2EX2ME2N](#) [E2EX3D1SM1N](#) [E2E-X4MD1-G](#) [E2E-X5E1-5M-N](#) [E2E-X5Y2-N](#) [E2E-X7D1-](#)
[M1J-T-0.3M-N](#) [E2FMX1R5D12M](#) [E2K-F10MC1](#) [5M](#) [EH-302](#) [EI3010TBOP](#) [EI5515NPAP](#) [MS605AU](#) [EP175-32000](#) [BSA-08-25-08](#)
[IFRM04N35B1/L](#) [IFRM04P1513/S35L](#) [IFRM06P1703/S35L](#) [IFRM08P1501/S35L](#) [IFRM12N17G3/L](#) [IFRM12P17G3/L](#) [IFRM12P3502/L](#)
[IFRM12P37G1/S14L](#) [ILFK12E9189/I02](#) [ILFK12E9193/I02](#) [IMM2582C](#) [OISN-013](#) [25.161.3253.0](#) [25.332.0653.1](#) [25.352.0653.0](#)