

# Proximity Inductive Sensors Extended Range, Nickel-Plated Brass Housing Types ICB, M18

CARLO GAVAZZI



- Sensing distance: 8 to 14 mm
- Flush and non-flush types
- Short and long body versions
- Rated operational voltage ( $U_b$ ): 10 - 36 VDC
- Output: DC 200 mA, NPN or PNP
- Normally open, Normally closed
- LED indication for output ON
- Protection: reverse polarity, short circuit, transients
- Cable and M12 plug versions
- According to IEC 60947-5-2
- CSA certified for Hazardous Locations

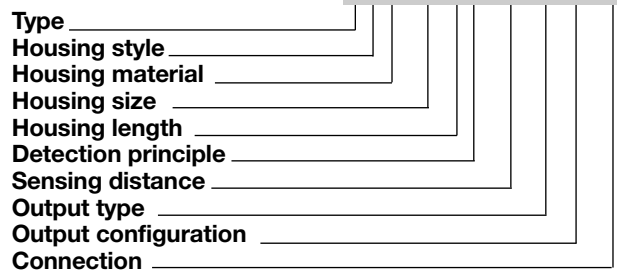
## Product Description

A family of inductive proximity switches in industrial standard nickel-plated brass housings. They are able to handle applications where

high sensing range is requested. Output is open collector NPN or PNP transistors.

## Ordering Key

**ICB18SF08NOM1**



## Type Selection

Conne- ction	Body style	Rated operating distance $S_n$	Ordering no. NPN Normally open	Ordering no. PNP Normally open	Ordering no. NPN Normally closed	Ordering no. PNP Normally closed
Cable	Short	8 mm <sup>1)</sup>	ICB 18 SF 08 NO	ICB 18 SF 08 PO	ICB 18 SF 08 NC	ICB 18 SF 08 PC
Cable	Short	14 mm <sup>2)</sup>	ICB 18 SN 14 NO	ICB 18 SN 14 PO	ICB 18 SN 14 NC	ICB 18 SN 14 PC
Plug	Short	8 mm <sup>1)</sup>	ICB 18 SF 08 NOM1	ICB 18 SF 08 POM1	ICB 18 SF 08 NCM1	ICB 18 SF 08 PCM1
Plug	Short	14 mm <sup>2)</sup>	ICB 18 SN 14 NOM1	ICB 18 SN 14 POM1	ICB 18 SN 14 NCM1	ICB 18 SN 14 PCM1
Cable	Long	8 mm <sup>1)</sup>	ICB 18 LF 08 NO	ICB 18 LF 08 PO	ICB 18 LF 08 NC	ICB 18 LF 08 PC
Cable	Long	14 mm <sup>2)</sup>	ICB 18 LN 14 NO	ICB 18 LN 14 PO	ICB 18 LN 14 NC	ICB 18 LN 14 PC
Plug	Long	8 mm <sup>1)</sup>	ICB 18 LF 08 NOM1	ICB 18 LF 08 POM1	ICB 18 LF 08 NCM1	ICB 18 LF 08 PCM1
Plug	Long	14 mm <sup>2)</sup>	ICB 18 LN 14 NOM1	ICB 18 LN 14 POM1	ICB 18 LN 14 NCM1	ICB 18 LN 14 PCM1

<sup>1)</sup> For flush mounting in metal

<sup>2)</sup> For non-flush mounting in metal

## Specifications

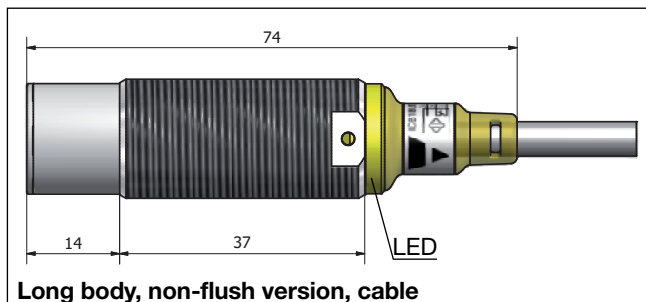
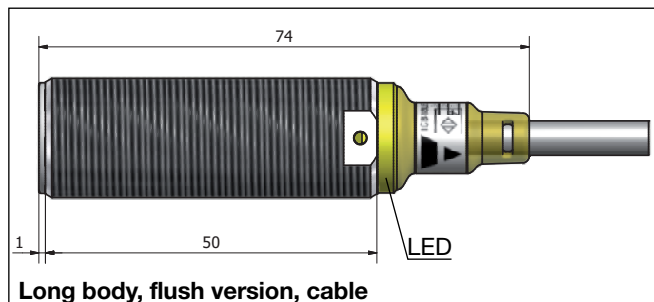
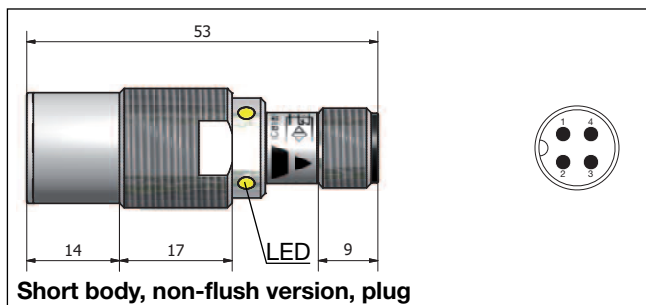
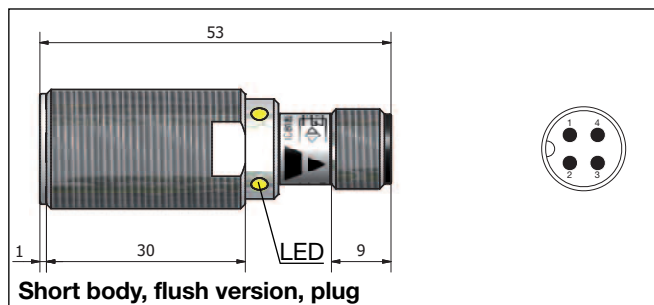
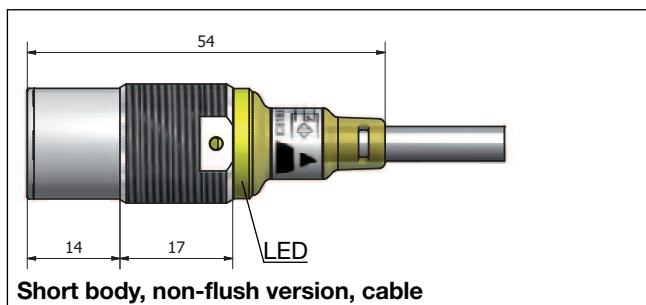
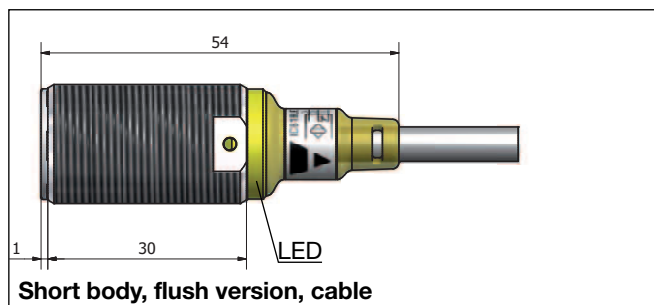
<b>Rated operational voltage (<math>U_b</math>)</b>	10 to 36 VDC (ripple incl.)	<b>Indication for short circuit/ overload</b>	LED blinking
<b>Ripple</b>	≤ 10%	<b>Assured operating sensing distance (<math>S_a</math>)</b>	$0 \leq S_a \leq 0.81 \times S_n$
<b>Output current (<math>I_o</math>)</b>	≤ 200 mA @ 50°C (≤ 150 mA @ 50-70°C)	<b>Effective operating distance (<math>S_r</math>)</b>	$0.9 \times S_n \leq S_r \leq 1.1 \times S_n$
<b>OFF-state current (<math>I_i</math>)</b>	≤ 50 μA	<b>Usable operating distance (<math>S_u</math>)</b>	$0.9 \times S_r \leq S_u \leq 1.1 \times S_r$
<b>No load supply current (<math>I_o</math>)</b>	≤ 15 mA	<b>Repeat accuracy (R)</b>	≤ 10%
<b>Voltage drop (<math>U_d</math>)</b>	Max. 2.5 VDC @ 200 mA	<b>Differential travel (H) (Hysteresis)</b>	1 to 20% of sensing dist.
<b>Protection</b>	Reverse polarity, short-circuit, transients	<b>Shock and vibration</b>	IEC 60947-5-2/7.4
<b>Dielectric impulse voltage withstand</b>	1 kV/0.5 J	<b>Ambient temperature</b>	Operating -25° to +70°C (-13° to +158°F) Storage -30° to +80°C (-22° to +176°F)
<b>Power ON delay (<math>t_o</math>)</b>	300 ms	<b>Housing material</b>	Body Nickel-plated brass Front Grey thermoplastic polyester
<b>Operating frequency (f)</b>	≤ 1500 Hz		
<b>Indication for output ON</b>	Activated LED, yellow		
NO version	Target present		
NC version	Target not present		



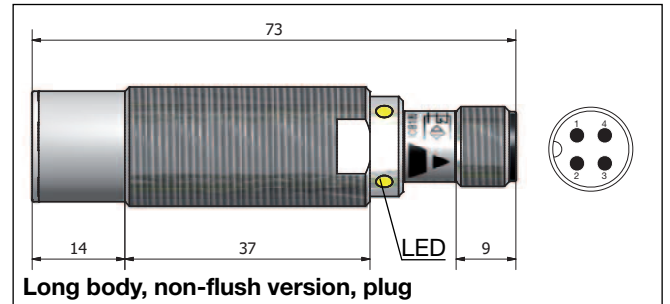
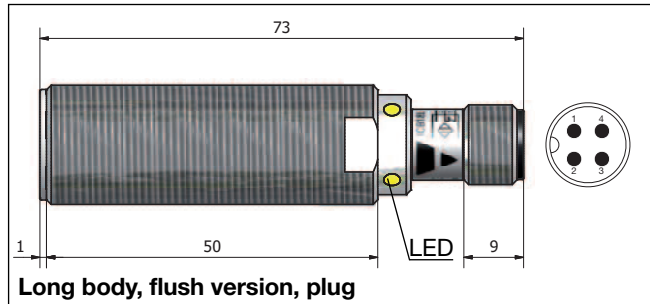
## Specifications (cont.)

<b>Connection</b>		<b>Approvals (cont.)</b>	<b>cCSAus</b>	As Process Control Equipment for Hazardous Locations. - Class I, Division 2, Groups A, B, C and D. - T5 up to 150 mA, T4A for a load current > 150 mA and up to 200 mA, Enclosure Type 4. Ambient temperature Ta: -25° to +60°C. CCC is not required for products with a maximum operating voltage of ≤ 36 V
Cable	2 m, 3 x 0.25 mm <sup>2</sup> , grey PVC, oil proof M12 x 1			
Plug		<b>Note:</b> The terminal connector (version ...M1) was not evaluated. The suitability of the terminal connector should be determined in the end-use application.		
<b>Degree of protection</b>	IP 67			
<b>Weight (cable/nuts included)</b>		<b>CE-marking</b>	<b>EMC protection</b>	Yes
Cable	Max. 150 g			
Plug	Max. 70 g	IEC 61000-4-2 (ESD)	According to IEC 60947-5-2 8 KV air discharge, 4 KV contact discharge 3 V/m 2 kV 3 V 30 A/m	
<b>Dimensions</b>		IEC 61000-4-3		
<b>Tightening torque</b>		IEC 61000-4-4		
Non-flush version	25 Nm	IEC 61000-4-6		
Flush version		IEC 61000-4-8		
From 1 to 3 mm	15 Nm			
> 3 mm	25 Nm			
<b>Approvals</b>				
<b>UL (cULus), CSA</b>	As Industrial Control Equipment - Proximity Switches. Types 1, 4, 4X or 12. Max ambient temperature 40°C.			

## Dimensions

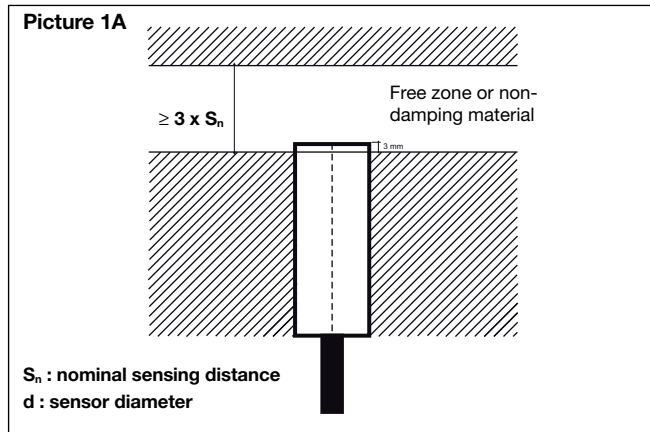


## Dimensions (cont.)

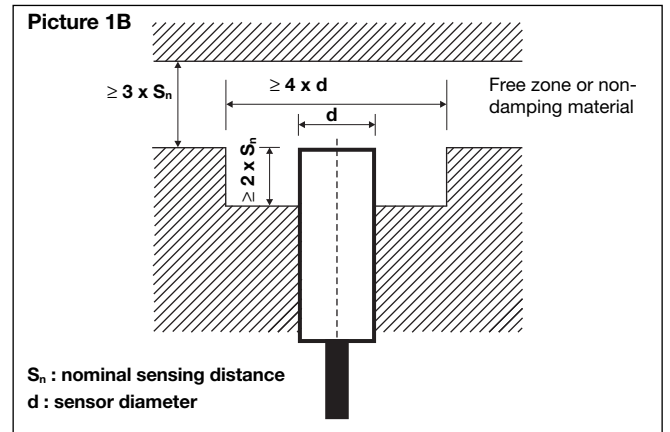


## Installation

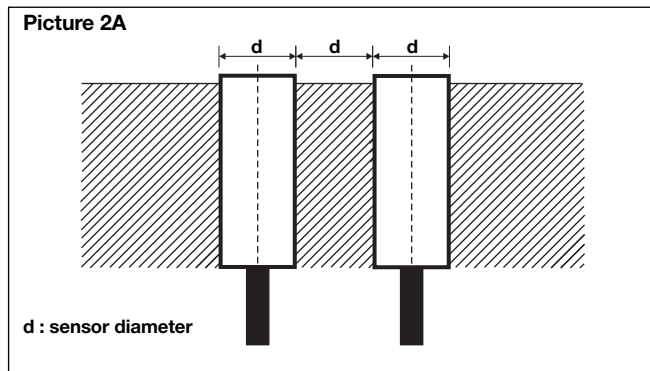
Flush sensor, when installed in damping material, must be according to Picture 1A.



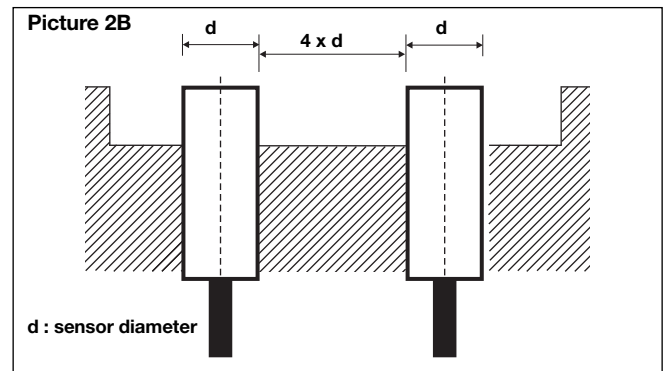
Non-flush sensor, when installed in damping material, must be according to Picture 1B.



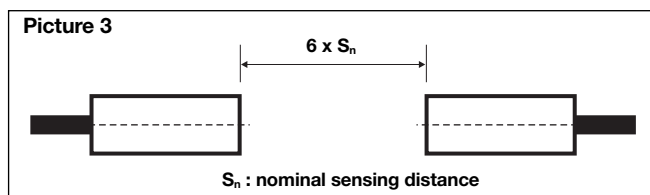
Flush sensors, when installed together in damping material, must be according to Picture 2A.



Non-flush sensors, when installed together in damping material, must be according to Picture 2B.

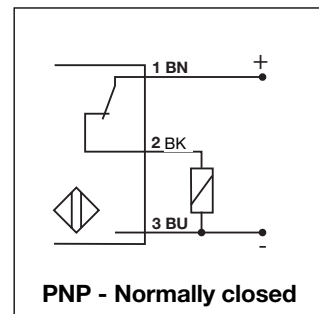
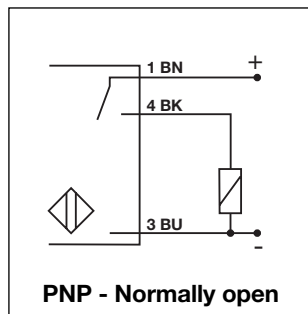
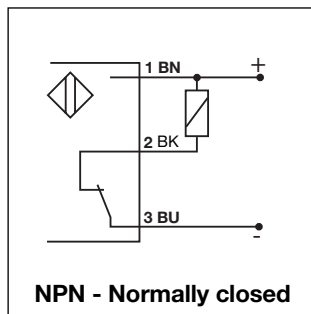
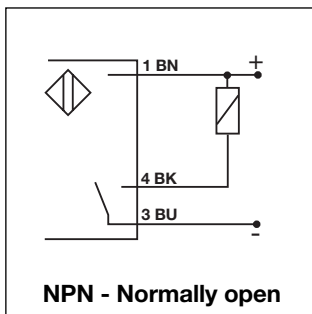


For sensors installed opposite each other, a minimum space of  $6 \times S_n$  (the nominal sensing distance) must be observed (See Picture 3).





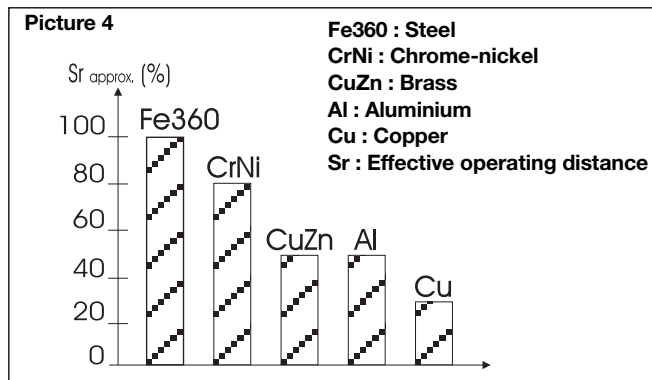
## Wiring Diagrams



## Reduction factors

The rated operating distance is reduced by the use of metals and alloys other than Fe360.

The most important reduction factors for inductive proximity sensors are shown in Picture 4.



## Accessories for Plug Versions

3-wire angled connector, 2 m cable	<b>CONM13NF-A2</b>
3-wire angled connector, 5 m cable	<b>CONM13NF-A5</b>
3-wire angled connector, 10 m cable	<b>CONM13NF-A10</b>
3-wire straight connector, 2m cable	<b>CONM13NF-S2</b>
3-wire straight connector, 5m cable	<b>CONM13NF-S5</b>

**For any additional information or different options, please refer to the "General Accessories" datasheets.**

## Delivery Contents

- Inductive proximity switch ICB.
- 2 nuts NPB
- Packaging: plastic bag

## X-ON Electronics

Largest Supplier of Electrical and Electronic Components

*Click to view similar products for [Speed Sensors](#) category:*

*Click to view products by [Carlo Gavazzi](#) manufacturer:*

Other Similar products are found below :

[621405](#) [M3050A13](#) [MA215HT-96](#) [70.343.2428.0](#) [726324](#) [726446](#) [727033](#) [727440-28](#) [728265-02](#) [993AB18AT-J](#) [KMI174X](#) [SNDJ-CNT-G03](#) [M3024](#) [M3030](#) [M3040](#) [M3040AN25](#) [34.170.0004.1](#) [34.170.1001.0](#) [4953](#) [ZS-180-B55](#) [ZS-1963](#) [ZS-2048](#) [ZS-2147](#) [04.241.8053.0](#) [04.845.2253.0](#) [606072](#) [EN401B](#) [70.331.1028.0](#) [70.331.2428.0](#) [70.377.2428.0](#) [725204](#) [725733](#) [725951](#) [727397](#) [728143-15](#) [728202-02](#) [PA11560](#) [PA12D03](#) [ZS-1952](#) [ZS-1728-D](#) [KMI23/4Z](#) [SNDJ-CNT-G04](#) [SNDH-SPC-01M](#) [SNDH-H3C-G07](#) [KMI25/2Z](#) [KMI23/2Z](#) [KMI25/4Z](#) [4951957-8](#) [REVK](#) [722543](#) [LCZA460](#)