

Proximity Sensors Inductive Extended Range, Aluminium Micro Switch Housing Type IG12FSF04DO, DC, 2-wire



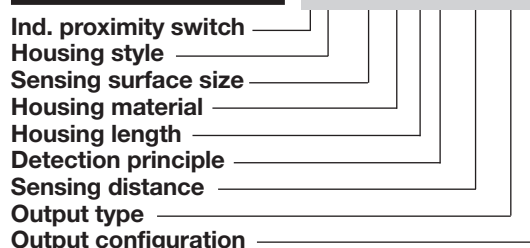
- Sensing distance: 4 mm
- Flush type
- Power supply: 10 to 40 VDC
- Output: Transistor
- Make or Break switching
- Protection: Reverse polarity, short-circuit and transients
- 2 m cable - PUR/PVC
- Dimensions: Body: 30 x 19 x 15 mm
Tip: Ø12 x 16 mm

Product Description

Flush mountable inductive proximity switch in micro switch aluminium housing with 2 m PUR cable. This type of sensor can replace mechanical limit switches.

The sensor has an extreme low No-load supply current of typical 0.3 mA. Mounting with 4 mm captive screws or 3 mm screws (front mounted).

Ordering Key **IG12FSF04DO**



Type Selection

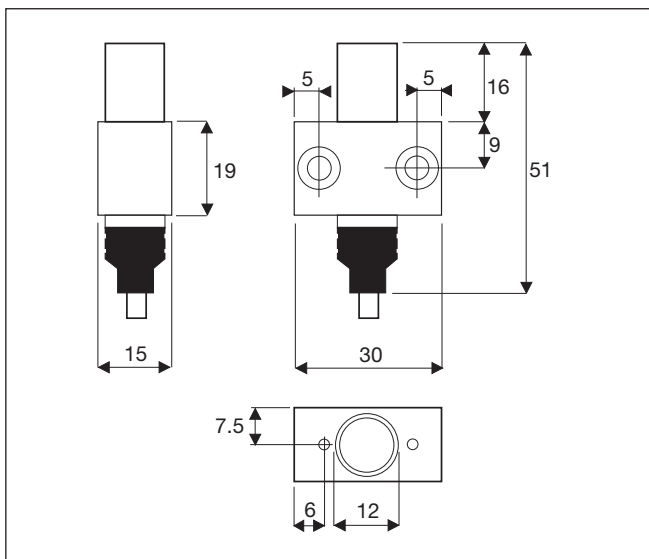
Housing dimensions	Connection	Rated operating dist. (S _n)	Ordering no. 2 wire DC, Normally open	Ordering no. 2 wire DC, Normally closed
30 x 19 x 15 mm	Cable	4 mm ¹⁾	IG 12 FSF 04 DO	IG 12 FSF 04 DC

¹⁾ For flush mounting in metal

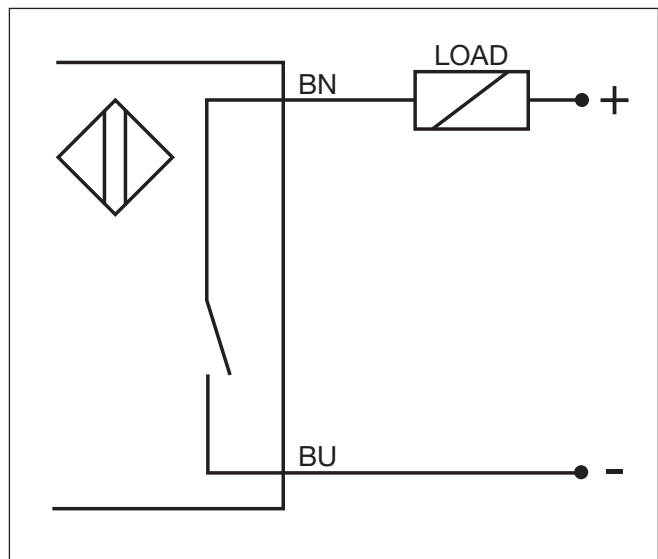
Specifications

Rated operational volt. (U _e) (U _B)	12 to 36 VDC 10 to 40 VDC (ripple included)	Degree of protection	IP 67 (Nema 1, 3, 4, 6, 13)
Ripple	≤ 10%	Housing material	Body Anodized Aluminium, type EN AW-6802 Front Anodized Aluminium and grey thermoplastic polyester (CPBT)
Rated operational current (I _e) Continuous	≤ 5-100 mA	Connection	Cable 2 m, 2 x 0.34 mm ² , Ø5.1 mm grey PUR/PVC, oil proof
No-load supply current (I)	≤ 0.4 mA	Mounting	2 x M4 screws for side mounting or 2 x M3 screws for front mounting
Voltage drop (U _a)	≤ 3 VDC at max. load	Weight (cable included 2 m)	Approx. 85 g
Protection	Reverse polarity, short-circuit, transients		
Transient voltage	≤ 1 kV/500 Ω		
Power ON delay	< 100 ms		
Frequency of op. cycles (f)	1 kHz		
Repeat accuracy (R)	≤ 10%		
Hysteresis (H) (Differential travel)	1 to 20% of sensing distance		
Assured operating dist. (S _a)	0 ≤ S _a ≤ 0.81 S _n		
Effective operating dist. (S _r)	0.9 x S _n ≤ S _r ≤ 1.1 x S _n		
Usable operating dist. (S _m)	0.9 x S _r ≤ S _u ≤ 1.1 x S _r		
Ambient temperature			
Operating	-25° to +70°C (-13° to +158°F)		
Storage	-30° to +80°C (-22° to +176°F)		

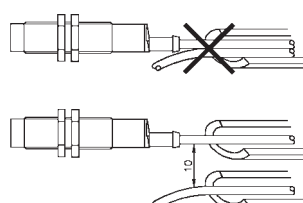
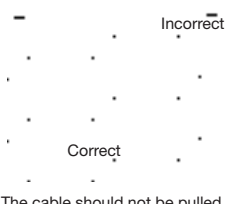
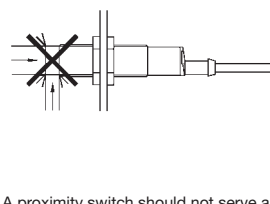
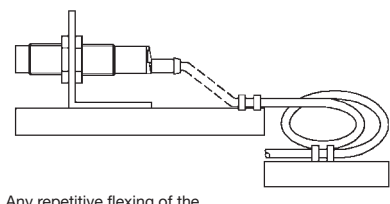
Dimensions



Wiring Diagram



Installation Hints

<p>To avoid interference from inductive voltage/current peaks, separate the prox. switch power cables from any other power cables, e.g. motor, contactor or solenoid cables</p> 	<p>Relief of cable strain</p>  <p>The cable should not be pulled</p>	<p>Protection of the sensing face</p>  <p>A proximity switch should not serve as mechanical stop</p>	<p>Switch mounted on mobile carrier</p>  <p>Any repetitive flexing of the cable should be avoided</p>
--	---	---	--

Delivery Contents

Inductive proximity switch IG12FSF04D.
Packaging: plastic bag

X-ON Electronics

Largest Supplier of Electrical and Electronic Components

Click to view similar products for [Proximity Sensors](#) category:

Click to view products by [Carlo Gavazzi](#) manufacturer:

Other Similar products are found below :

[01.001.5653.1](#) [70.340.1028.0](#) [70.360.2428.0](#) [70.364.4828.0](#) [70.810.1053.0](#) [72.360.1628.0](#) [73.363.6428.0](#) [8027AL20NL2CPXX](#) [FYCC8E1-2](#)
[9221350022](#) [922AA2W-A9P-L](#) [PLS2](#) [GL-12F-C2.5X10\(LOT3\)](#) [972AB2XM-A3N-L](#) [972AB3XM-A3P-L](#) [PS3251](#) [980659-1](#) [QT-12](#) [E2E2-](#)
[X5M41-M4](#) [E2E-X14MD1-G](#) [E2E-X2D1-G](#) [E2EX2ME2N](#) [E2EX3D1SM1N](#) [E2E-X4MD1-G](#) [E2E-X5E1-5M-N](#) [E2E-X5Y2-N](#) [E2E-X7D1-](#)
[M1J-T-0.3M-N](#) [E2FMX1R5D12M](#) [E2K-F10MC1](#) [5M](#) [EH-302](#) [EI3010TBOP](#) [EI5515NPAP](#) [MS605AU](#) [EP175-32000](#) [BSA-08-25-08](#)
[IFRM04N35B1/L](#) [IFRM04P1513/S35L](#) [IFRM06P1703/S35L](#) [IFRM08P1501/S35L](#) [IFRM12N17G3/L](#) [IFRM12P17G3/L](#) [IFRM12P3502/L](#)
[IFRM12P37G1/S14L](#) [ILFK12E9189/I02](#) [ILFK12E9193/I02](#) [IMM2582C](#) [OISN-013](#) [25.161.3253.0](#) [25.332.0653.1](#) [25.352.0653.0](#)