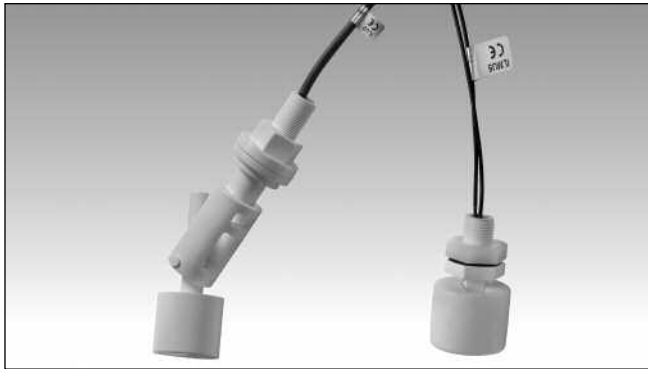


Proximity Magnetic sensors Level Magnetic Sensors ILMPU, ILU and ILMU Series

CARLO GAVAZZI



- Cylindrical, non toxic polypropylene housing
- NO, NC or CO output functions
- Reversible output function by sensor housing over turning
- XLPE, PVC or silicone cable output connection
- Horizontal mounting

Product Description

These models, for horizontal mounting, are made in non-toxic polypropylene. The ILMPU model, the

smallest one, can be used both as a NO and NC function depending on mounting direction

Ordering Key

ILU S2

Type _____
Reed contact type _____

Type Selection

Float diameter	Connection	Output function	Reference
Ø 17.5 mm	XLPE cable L= 0.3 m	NO, NC*	ILMPU 5
Ø 31 mm	PVC cable L= 0.3 m	NO, NC*	ILMU 5
Ø 45 mm	Silicone cable L= 0.5 m	NO	ILU 2
Ø 45 mm	Silicone cable L= 0.5 m	NO	ILU 8
Ø 45 mm	Silicone cable L= 0.5 m	CO	ILU S 2

*Reversible output function by sensor housing overturning

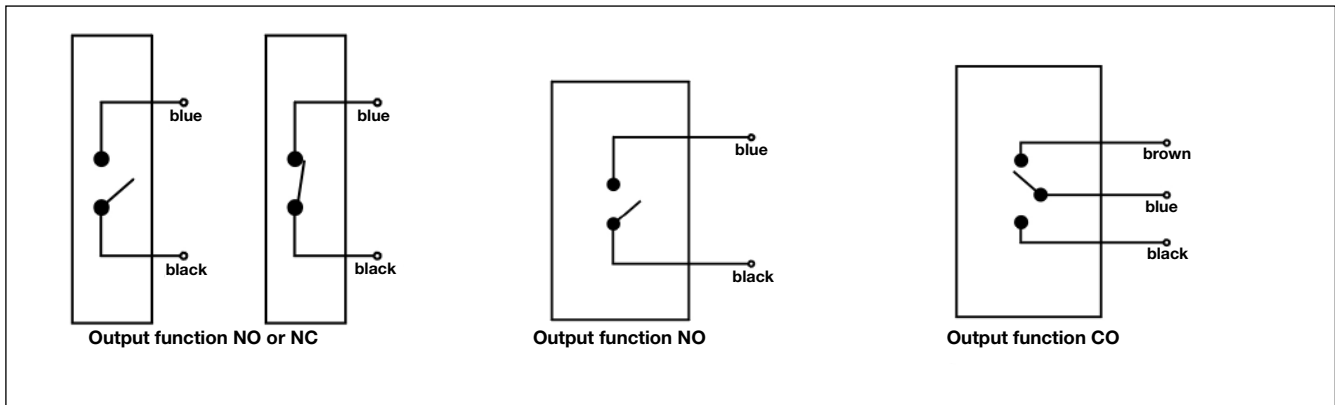
Output Specifications

Output ILMPU5, ILMU5 ILU2, ILU8 ILUS2	NO, NC NO Change-over
Contact ratings Max Switching Voltage ILU2 ILMPU5, ILMU5 ILU8 ILUS2	250 VAC 240 VAC, 200 VDC 1000 VAC 230 VAC
Max Switching Current ILU2 ILMPU5, ILMU5 ILU8 ILUS2	3 A 0.5 A 3 A 1 A
Max Switching Power ILU2 ILMPU5, ILMU5 ILU8 ILUS2	100 VA 50 VA 120 VA 60 VA

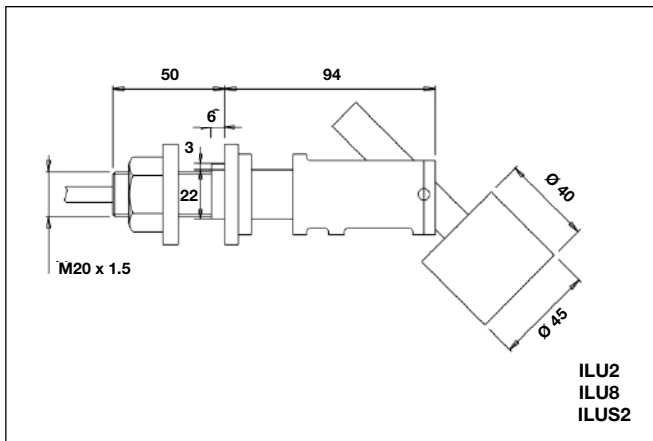
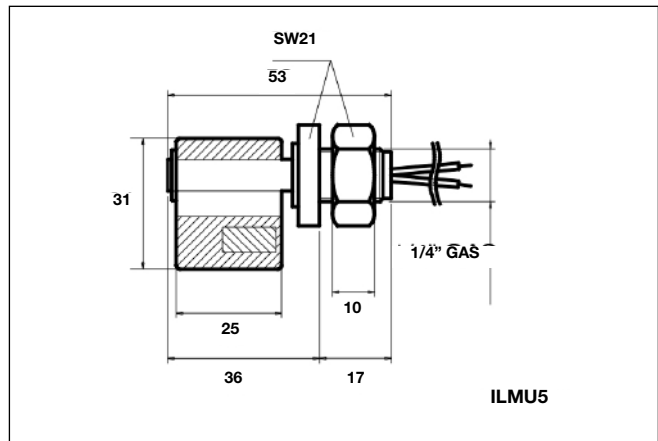
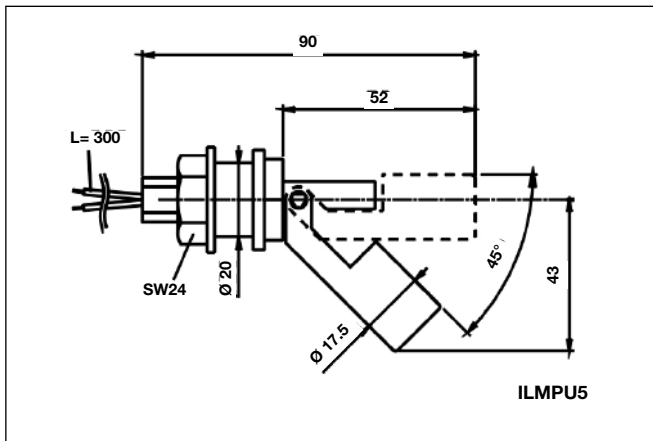
General Specifications

Operating temperature ILMPU5, ILMU5 ILU2, ILU8, ILUS2	-20 to +80 °C -25 to +100 °C
Degree of protection	IP 68 (cable output IP67)
Float Diameter ILMPU5 ILMU5 ILU2, ILU8, ILUS2 Material	Ø 17.5 mm Ø 31 mm Ø 45 mm non toxic polypropylene
Min liquid specific gravity ILMPU5, ILMU5 ILU2, ILU8, ILUS2	0.70 kg/dm ³ 0.75 kg/dm ³
Max pressure ILMPU5, ILMU5 ILU2, ILU8, ILUS2	2 kg/cm ² 100 kg/cm ²
CE-marking	Yes

Wiring Diagrams



Dimensions



X-ON Electronics

Largest Supplier of Electrical and Electronic Components

Click to view similar products for [Liquid Level Sensors](#) category:

Click to view products by [Carlo Gavazzi](#) manufacturer:

Other Similar products are found below :

[F03-16PT-1M](#) [RSF54H100R1/8](#) [RSF56Y100RB](#) [F03-16PT-10M](#) [K7L-U](#) [K7L-AT50DB](#) [14102](#) [72.B1.1.000.1501](#) [72.B1.1.000.2001](#)
[SONDA-PZP](#) [72.B1.1.000.1001](#) [72.B1.1.000.0501](#) [LVFSP1W10](#) [LVFSP1W15](#) [72.A1.1.000.0501](#) [ILU2](#) [LVFSP1W03](#) [EL-5N](#)
[72.A1.1.000.2001](#) [ILU8](#) [EX-F61-PN-C5](#) [EX-FC1](#) [KSL-100-1](#) [LS01-1A66-PP-2000W](#) [LS01-1B66-PP-500W](#) [LS02-1B66-S-500W](#) [LS02-](#)
[1B85-PP-5000W](#) [LS03-1A85-PP-500W](#) [LS03/DL-1A85-PA-500W](#) [LS03/GZ-1A66-PA-500W](#) [MS02-PP](#) [EL-10N](#) [EL-3N](#) [9038CG36](#)
[LITTLE-EX-5M](#) [LL01-1AA01](#) [LM10A](#) [LM10C](#) [EX-F71-C5](#) [MS10A](#) [MS20A](#) [MS20C](#) [MS10AW](#) [MS10C](#) [MS20B](#) [SSH66XE34N100](#)
[SSF67A25B75](#) [SSF67A25B300PM12](#) [SSF29X100](#) [SSF22X100-M12X1](#)