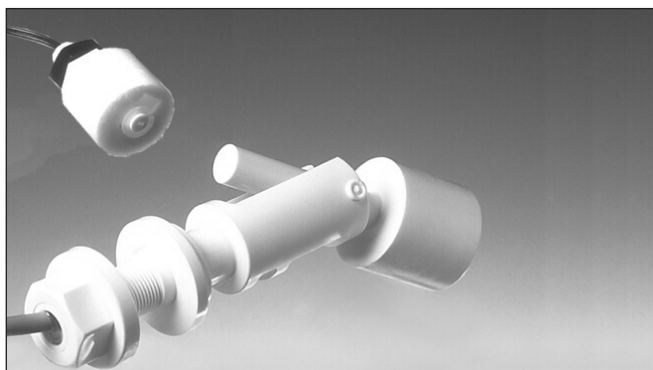


Level Magnetic Sensors ILMPU, ILU and ILMU Series

CARLO GAVAZZI



- Non toxic polypropylene or plastic body
- NO, NC or Change-over output function
- Horizontal mounting
- PVC or silicone cable output connection

Product Description

The ILU and ILMPU models, for horizontal mounting, are also made in non-toxic polypropylene.

The ILMPU model, extremely small dimensioned, can be

used both as a NO function and NC function depending on mounting direction.

The ILMU models, also for horizontal mounting, is made in plastic material.

Ordering Key

ILU.S.2/S1

Type _____
 Reed Contact Type _____
 Special Version _____

Type Selection

Diametro Galleggiante	Output function	Operating temperature	Reference
Ø 17,5 mm	NO, NC	-20 ÷ +80 °C	ILMPU.5
Ø 31 mm			ILMU.5
Ø 45 mm	NO, Change-over	-25 ÷ +100 °C	ILU.2 ILU.8 ILU.S.2 ILU.S.2/S1

General specification

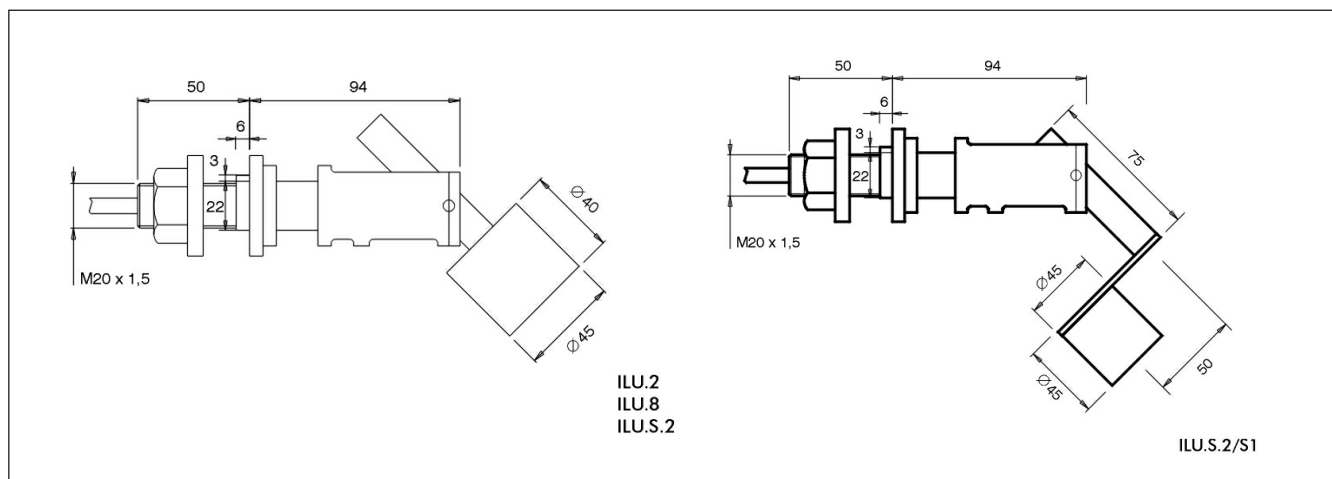
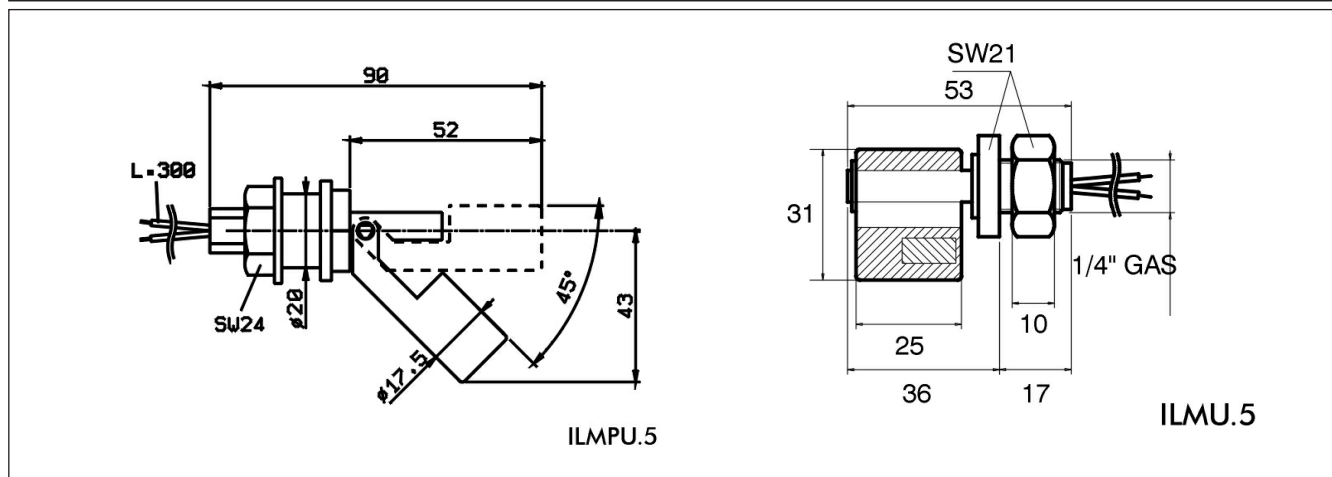
Min liquid specific gravity ILMPU ILMU ILU	0,7 kg/dm ³ 0,75 kg/dm ³
Max pressure ILMPU ILMU ILU	2 kg/cm ² 100 kg/cm ²
Case	Plastic
Protection degree	IP68
Output connection	Silicone Cable

Electrical specifications

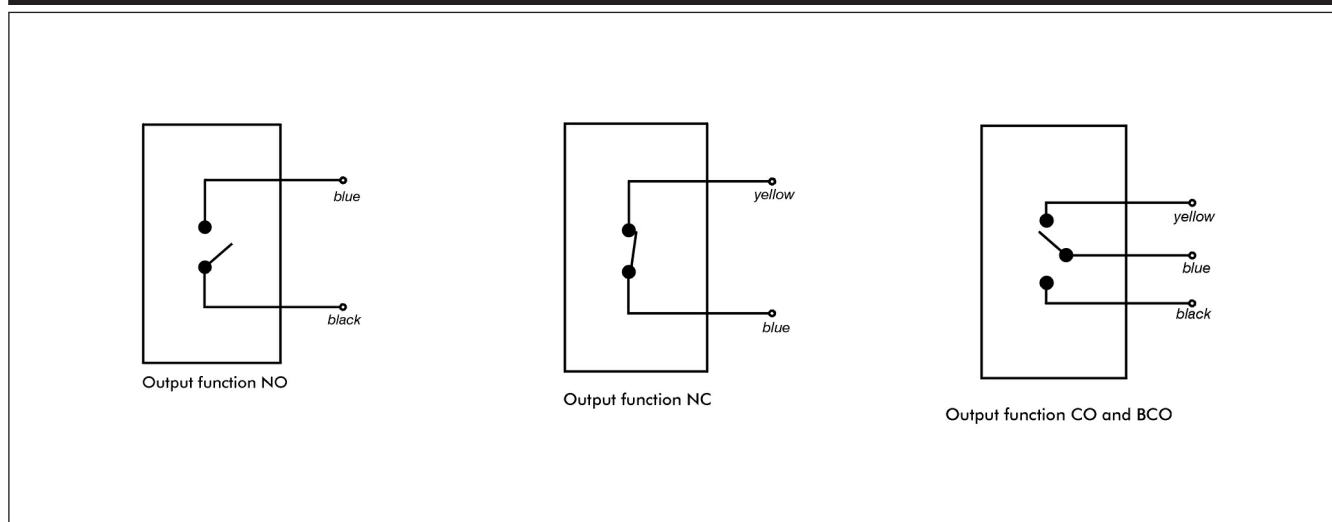
Contacts	2	5	8	S.2
Max switching voltage	250 Vac	240 Vac / 200 Vdc	1500 Vac	220 Vac
Max switching current	3 A	0,5 A	3 A	1 A
Max switching power	100 VA	50 VA	120 VA	60 VA



Dimensions



Wiring Diagrams



X-ON Electronics

Largest Supplier of Electrical and Electronic Components

Click to view similar products for [Liquid Level Sensors](#) category:

Click to view products by [Carlo Gavazzi](#) manufacturer:

Other Similar products are found below :

[F03-16PT-1M](#) [FSH-21](#) [FSH-25](#) [FSH-34](#) [FSH-35](#) [FSV-31](#) [FSV-35](#) [LRNH31S41](#) [FSH-31](#) [RSF14Y100RF](#) [F03-16PT-10M](#) [LL01-1AB01](#)
[F03-16PS-F](#) [F03-16SF-5M](#) [F03-16PE-5M](#) [F03-16PT-5M](#) [K7L-U](#) [LBFS 1151](#) [LL8951T5](#) [SCN-1518SC](#) [LL103000](#) [LRNR31N01](#) [K7L-](#)
[AT50DB](#) [F03-16PT-2M](#) [14102](#) [RSF107H100GV](#) [MS03-PP](#) [KSL-100-1](#) [LS01-1A66-PP-2000W](#) [LS01-1B66-PP-500W](#) [LS02-1A66-S-500W](#)
[LS02-1B66-S-500W](#) [LS02-1B85-PP-5000W](#) [LS03-1A85-PP-500W](#) [LS03/DL-1A85-PA-500W](#) [RSF26H050TG](#) [EL-10N](#) [EL-3N](#) [LL01-](#)
[1AA01](#) [LRNH31S42](#) [MS10C](#) [SSH66XE34N100](#) [SSH66TE34N100S](#) [TSF76H100DN](#) [TSF76H050TV](#) [OLS500D3L](#) [RSF88Y100R](#)
[RSF76Y100RN](#) [RSF54Y100RC](#) [RSF53Y100RC](#)