

Standstill Monitor Safety Module MF1-C

CARLO GAVAZZI



- Safety Category 3 according to EN 954-1
- Redundant circuit
- Monophase or three phase line input
- Cable break detection
- Suitable for engines powered by inverters
- Response value adjustable for each channel separately
- Channel status control LEDs
- Possibility to add and / or amplify safety contact outputs
- Single fault tolerance
- feedback circuit for external contactors monitoring

Product Description

Standstill monitor safety module in conformity with EN 954-1, EN 60904-1, EN 292-1, /-2 and EN 418. The module, safety category 3, has been designed for those applications in which the rotational speed of mechanical parts can be dangerous to the correct carrying out of particular operations, like spindle-tool automatic change.

Ordering Key

MF1-C

Case _____
Application _____
Controlled Devices _____
Safety Category _____

Electrical Specifications

Power supply	24 Vac \pm 15% 50-60Hz / 24 Vdc \pm 15%	Safety output contact fuse protection	6 A fast or 4 A delayed
Power consumption	5 VA / 5 W	Insulation voltage	2.5 KV for signal parts; 4.0 KV for safety output parts; Pollution degree 2; Overvoltage category III
Input current/voltage	170 mA @ 24 Vdc, without load, internal relays energized	Response value (Vs)	200 - 1000 mVpp
Safety outputs	2 NO	Response isteresis	2 Vs
Auxiliary outputs	-	Max input voltage	500 Vrms
Safety output switching voltage /current /capability	230Vac/8A/1840VA	Max input signal frequency	1.5 KHz

Time Specifications

Delay on energisation	< 500 ms (depending on the application)
Delay on de-energisation	(depending on the application)
Channel simultaneity	200 ms

Environmental Specifications

Operating temperature	-25°C to + 55°C
Storage temperature	-25°C to + 65°C

Mechanical Specifications

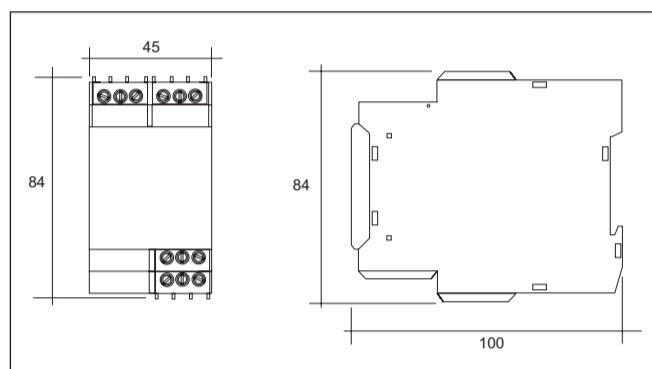
Protection degree terminals	IP 20	Max cross section of external conductors	2.5 mm ² flexible wire 4 mm ² rigid wire
Protection degree housing	IP 40	Dimensions (H x W x D)	84x45x100 mm
Housing material	ABS	Weight	260 g
Housing type	45 mm housing models		
Mounting	DIN rail		



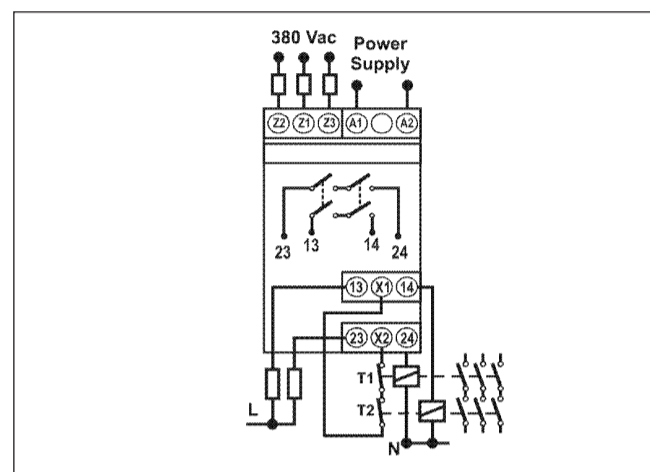
MF1-C



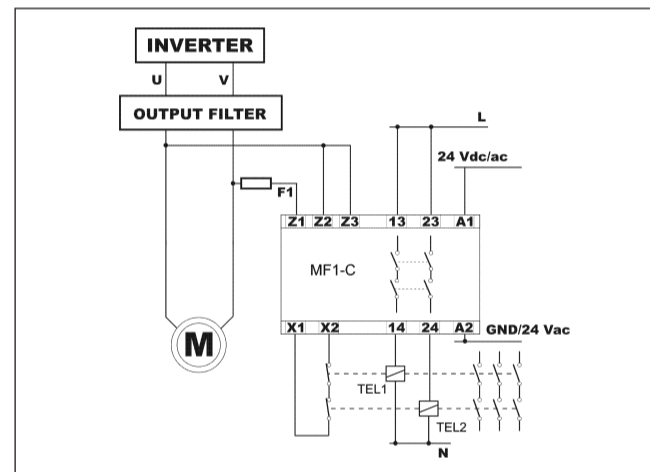
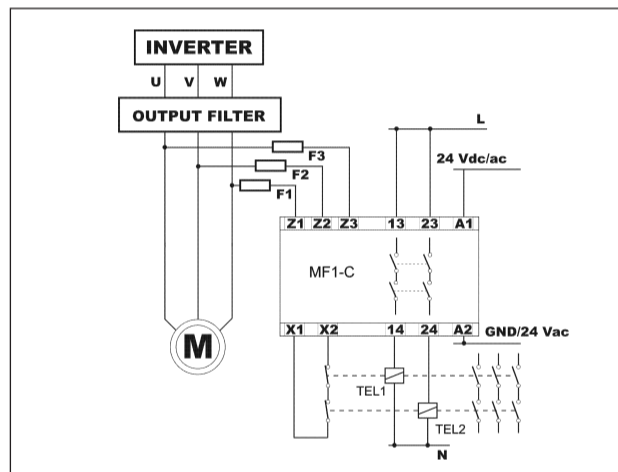
Dimensions



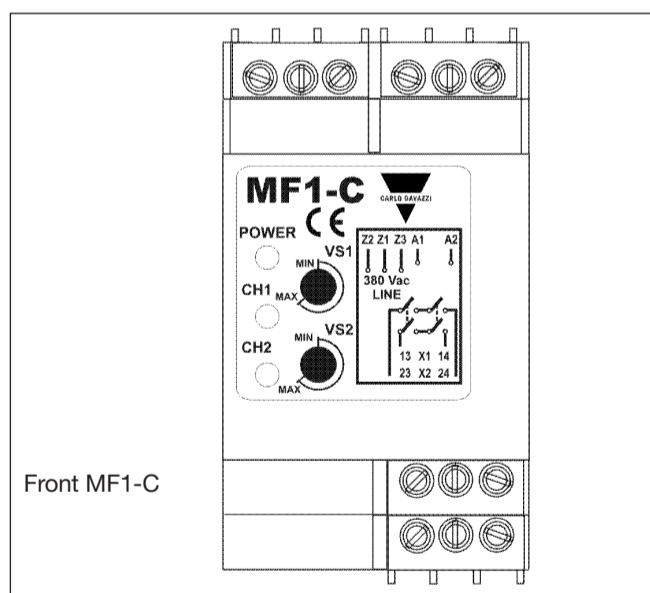
Wiring Diagrams



Application



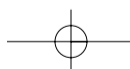
Connection Sample



Front MF1-C

Connections

Terminal	Function/Connection
A1	+24 Vdc or AC supply
A2	GND or AC supply
Z1, Z2, Z3	Mono / three phase input terminals
X1-X2	Feedback input for external contactors monitoring
13-14	First safety output
23-24	Second safety output



X-ON Electronics

Largest Supplier of Electrical and Electronic Components

Click to view similar products for [Interface Modules](#) category:

Click to view products by [Carlo Gavazzi](#) manufacturer:

Other Similar products are found below :

[CYG2218](#) [FAB118](#) [8500-003](#) [IFD8520](#) [FAB100-RC](#) [20-101-1338](#) [cPCI-3544](#) [CYG2217](#) [CYG2320](#) [422CON](#) [ATX6022/14GP7](#)
[ATX6022/8](#) [AX93221-24/48](#) [cPCI-3538](#) [USB30-MIPI-TESTER-OV10640](#) [MTAC-LORA-H-915](#) [OPT8AP-AE](#) [60006-016](#) [96RMKVM-](#)
[19V1C-A](#) [60016-011](#) [60016-014](#) [60006-008](#) [60016-015](#) [60011-075](#) [LPCIE-3488A](#) [HPCI-14S12U](#) [cBP-3208](#) [cBP-3062A](#) [FAB205-6P5](#)
[FAB114](#) [ATX6022/6](#) [60016-012](#) [96RMKVM-17V1C-A](#) [BB-QCLDVDSV2-KIT](#) [MOS-1120Y-0201E](#) [96RMLCD-17V1-A](#) [96RMKVM-](#)
[17V8C-A](#) [60004-005](#) [60016-017](#) [60006-019](#) [60006-009](#) [60004-002C](#) [PCIE-1622B-BE](#) [60016-035](#) [60016-034](#) [60016-031](#) [60016-030](#) [60016-](#)
[026](#) [60016-025](#) [60016-024](#)