

Current and Voltage Controls Current Transformer, 3-Phase Types MP 3005, MP 3020, MP 3100, MP 3500



- 4 types of input:
0.5 - 5 A
2 - 20 A
10 - 100 A
50 - 500 A
- For use in connection with control relays types e.g. S 178, SM 115

Product Description

3-phase current transformers for 5, 20, 100 or 500 AAC. Output voltage (0.4 - 4 V_p) is proportional to measured current.

Ordering Key **MP 3005**

Type _____
Input current _____

Type Selection

Input current	Type no.
5 A	MP 3005
20 A	MP 3020
100 A	MP 3100
500 A	MP 3500

Input Specifications

	MP 3005	MP 3020	MP 3100	MP 3500
Current range	0.5 - 5 AAC	2 - 20 AAC	10 - 100 AAC	50 - 500 AAC
Max. current (continuously)	20 AAC	50 AAC	150 AAC	500 AAC
Rated insulation voltage Input-output	1000 VAC _{rms}	1000 VAC _{rms}	1000 VAC _{rms}	1000 VAC _{rms}
Overvoltage category	IV (IEC 60664)	IV (IEC 60664)	IV (IEC 60664)	IV (IEC 60664)
Pollution degree	3 (IEC 60664)	3 (IEC 60664)	3 (IEC 60664)	3 (IEC 60664)
Dielectric strength Dielectric voltage	6 kVAC _{rms}	6 kVAC _{rms}	6 kVAC _{rms}	6 kVAC _{rms}
Rated impulse withstand volt.	12 kV (1.2/50 μs)	12 kV (1.2/50 μs)	12 kV (1.2/50 μs)	12 kV (1.2/50 μs)
Power consumption	< 300 mW @ 5 A	< 300 mW @ 20 A	< 2 W @ 100 A	< 21 W @ 500 A

Output Specifications

	MP 3005	MP 3020	MP 3100	MP 3500
Output voltage (in connection with SM 115)	0.4 - 4 V _p	0.4 - 4 V _p	0.4 - 4 V _p	0.4 - 4 V _p
Rated insulation voltage (cable)	250 VAC _{rms}	250 VAC _{rms}	250 VAC _{rms}	250 VAC _{rms}



General Specifications

	MP 3005	MP 3020	MP 3100	MP 3500
Ambient temperature	- 20° to + 60°C (- 4° to + 140°F)	- 20° to + 60°C (- 4° to + 140°F)	- 20° to + 60°C (- 4° to + 140°F)	- 20° to + 40°C (- 4° to + 104°F) (max. amb. temp for < 200 A is + 60°C (+140°F)
Connection cable	2 m	2 m	2 m	2 m
Weight	200 g	200 g	750 g	750 g
Material	ABS	ABS	ABS	ABS
Approvals	UL	UL	UL	UL

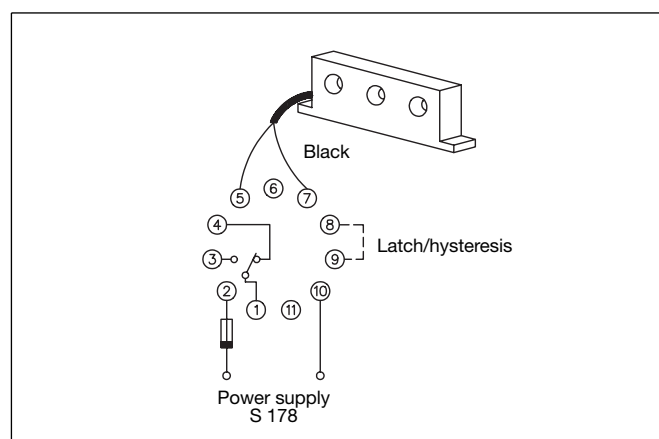
Mode of Operation

The output voltage is proportional to the highest current value in the 3 conductors which are drawn through the holes of the current metering transformer.

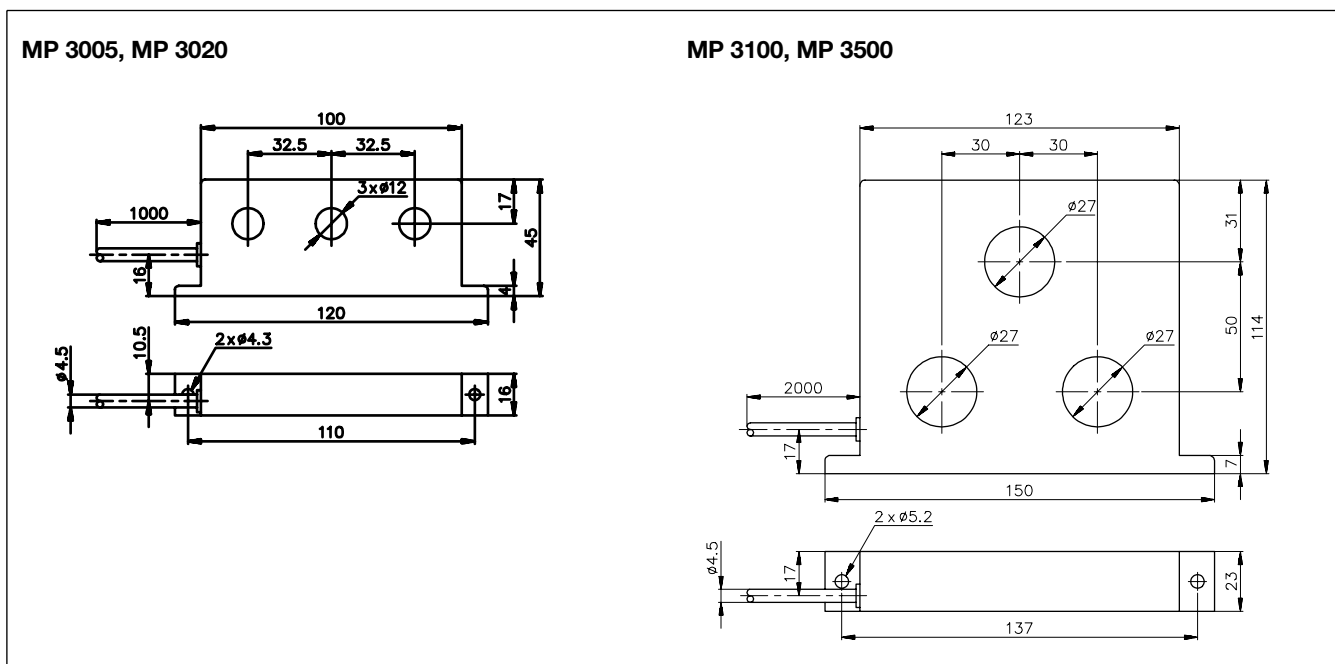
This makes it possible to use the current metering transformers, e.g. type MP 3005, for measuring far below the nominal range.

By drawing each conductor several times through the hole, the output voltage is multiplied by the number of times each conductor is drawn through the hole.

Wiring Diagram



Dimensions



X-ON Electronics

Largest Supplier of Electrical and Electronic Components

Click to view similar products for [Current Transformers](#) category:

Click to view products by [Carlo Gavazzi](#) manufacturer:

Other Similar products are found below :

[MP3500](#) [BV UI 302 0156](#) [45029](#) [BV EI 302 2863](#) [BV EI 303 2809](#) [BV EI 303 3060](#) [BV EI 305 2309](#) [BV EI 306 3604](#) [BV EI 481 1295](#) [BV EI 481 1325](#) [BV UI 301 0133](#) [BV UI 302 0144](#) [BV UI 302 0161](#) [BV UI 304 0019](#) [BV UI 304 0129](#) [BV UI 304 0159](#) [BV UI 304 0173](#) [TI-EF16-2X4V-4W](#) [SPCT62/40150/5AVA3CL1](#) [SPCT62/30100/5AVA1CL1](#) [SPCT62/3075/5AVA1CL3](#) [SPCT62/40150/5AVA1.5CL1](#) [SPCT62/40200/5AVA2.5CL0.5](#) [SPCT62/40300/5AVA3CL0.5](#) [CTD-KIT](#) [44013](#) [44017](#) [44021](#) [44098](#) [44101](#) [44134](#) [44171](#) [44174](#) [44178](#) [44180](#) [44248](#) [44250](#) [44278](#) [44339](#) [44340](#) [44373](#) [44375](#) [44376](#) [44378](#) [44379](#) [44436](#) [44831](#) [B82801B0925A200](#) [PA3655NL](#) [PA3828NL](#)