

Emergency Stop and Safety Gate Modules NA1/3-D, NA1/3-D/230

CARLO GAVAZZI



- Safety Category 4 according to EN 954-1
- Category 0 Emergency Stop
- 3 NO safety outputs
- 24 VAC / VDC, 110 or 230 VAC power supply
- single/dual channel
- automatic or manual reset
- self monitoring
- Failure diagnosis by LEDs
- Approvals:



Product Description

Emergency Stop and Safety Gate modules according to EN 60204-1, EN 292-1/-2, EN 418 and EN 1088. This family of safety module in Safety Category 4,

includes 24 Vac/Vdc, 110 or 230 Vac. Every model is characterized by dual channel input and safety output contacts with force guided relay outputs.

Ordering Key

NA1/3-D/230

Case _____
 Application _____
 Controlled Devices _____
 Safety Outputs _____
 Safety Category _____
 Power Supply _____

Type Selection

Power supply	References
24 VAC/VDC	NA1/3-D
110 VAC	NA1/3-D/110
230 VAC	NA1/3-D/230

Electrical Specifications

Power supply	NA1/3-D NA1/3-D/110 NA1/3-D 230	24 Vac/dc \pm 10% 110 Vac \pm 10% 230 Vac \pm 10%	Switching voltage / current /capability	NA1/3-D NA1/3-D/110 NA1/3-D 230	24 Vdc / 5A 110 Vac / 5A 230 Vac / 5A
Power consumption		3 VA / 3 W	Contact fuse protection		5 A fast or 4 A slow
Input current/voltage		0.9 to 1.1 V	Insulation voltage		Pollution degree: 2. Overvoltage Category: 3 / 250 V Basis insulation: Overvoltage Category: 3 / 250 V
Safety outputs		3 NO			
Auxiliary outputs		1 NC			

Time Specifications

Delay on energisation	-
Delay on de-energisation	< 30 ms
Channel simultaneity	∞

Environmental Specifications

Operating temperature	-25°C to + 55°C
Storage temperature	-25°C to + 65°C

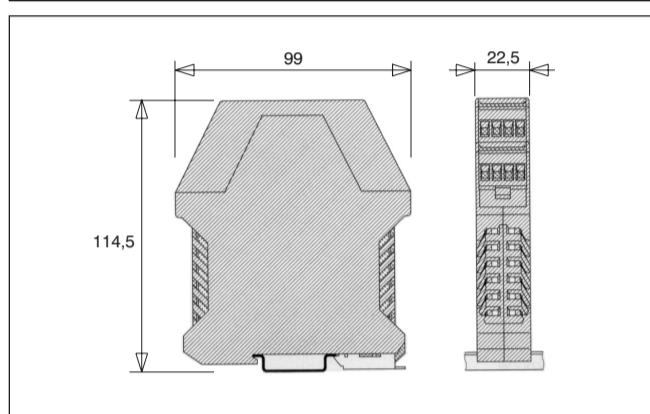
Mechanical Specifications

Protection degree terminals	IP 20	Max cross section of external conductors	2.5 mm ² rigid wire 2.5 mm ² flexible wire
Protection degree housing	IP 40	Dimensions (H x W x D)	22.5 x 114.5 x 99 mm
Housing material	Polyamid PA6.6	Weight	NA1/3-D NA1/3-D/110 NA1/3-D 230
Housing type	22.5 mm housing models		170 g 238 g 238 g
Mounting	DIN rail		

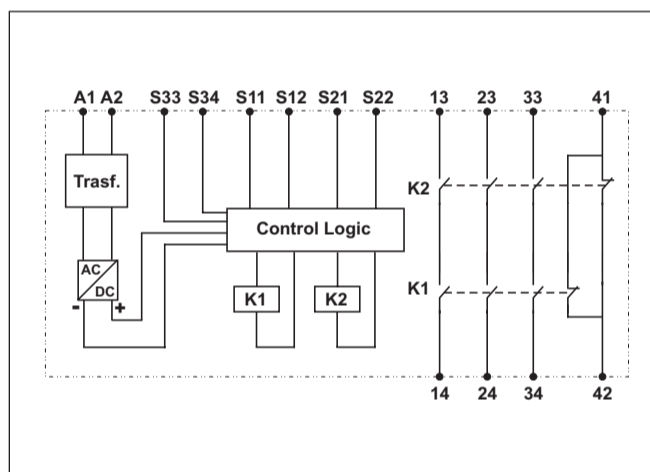


NA1/3-D, NA1/3-D/230

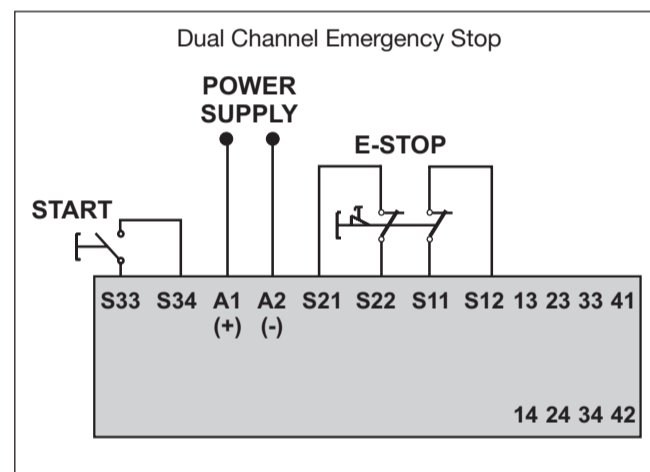
Dimensions



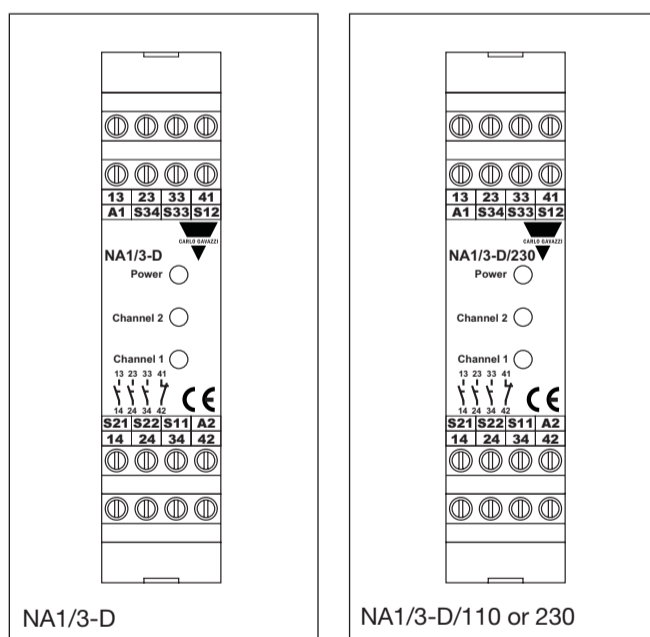
Wiring Diagrams



Application



Connection Sample



Connections

Terminal Function	Connection
A1	+24 Vdc or AC supply
A2	GND or AC supply
S11-S12	First input channel (E-STOP or Safety Switch Channel 1)
S21-S22	Second input channel (E-STOP or Safety Switch Channel 2)
S33-S34	START (automatic or manual)
13-14	First safety output (N.O.)
23-24	Second safety output (N.O.)
33-34	Third safety output (N.O.)
41-42	Auxiliary output (N.C.)

X-ON Electronics

Largest Supplier of Electrical and Electronic Components

Click to view similar products for [I/O Modules](#) category:

Click to view products by [Carlo Gavazzi](#) manufacturer:

Other Similar products are found below :

[70L-IDC5S](#) [70L-OAC-L](#) [70Z3289-4](#) [G21960000700](#) [G21960002700](#) [G34960002700](#) [G88104401](#) [OACU](#) [C4SWOUT](#) [PB16H](#)
[G34960001700](#) [G3TA-OA101SZ-1](#) [DC24](#) [G77-S](#) [G78-16-E](#) [DA5](#) [IDC5P](#) [FC6A-N16B1](#) [6421](#) [70MRCQ32-HL](#) [G3TAOD201SDC24](#)
[C200H-LK201-V1](#) [G3TA-OA202SZ-US](#) [DC12](#) [GT1-OD16](#) [GT1-AD04CST](#) [GT1-DA04](#) [B7AM-6BS](#) [70GRCQ24-HS](#) [6422](#) [84110410](#) [GT1-](#)
[OD16MX](#) [G7VC-OC16-B7](#) [70MRCK24-DIN](#) [6202](#) [6402](#) [PI/NI-2D/24](#) [FC6A-J2C1](#) [FC6A-KC1C](#) [FC6A-R081](#) [FC6A-J8CU1](#)
[GP32900003700](#) [641-480-5022](#) [PB16H](#) [84145010](#) [84110210](#) [FRUSB1601](#) [PCL-720+-BE](#) [AP24MX3DB25F](#) [ADAM-5053S-AE](#) [WISE-](#)
[S614-A](#) [C200H-OD211](#)