

Photoelectrics Through-beam, Transistor Output Type PA12BNT20..

CARLO GAVAZZI



- Elevators, Escalators and Entrance control
- Range 20 m
- ESPE-Type 2, PL C.
- Modulated, infrared light
- Supply voltage: 10 to 30 VDC
- Output: 100 mA, NPN or PNP type
- Make or break switching
- Protection: reverse polarity, short circuit, transients
- Cable versions with or without connector
- Emitter mute and power adjustment
- CE, UL325 and UL508 approved



Product Description

The PA12BNT. is a through beam sensor set specially designed for elevators, escalators, entrance control to meet the requirements in the door market. The housing is very robust and is

known for its high long-term reliability. The emitter has a mute input to turn it off for evaluation of the sensor function. Available in 10-30 VDC version.

Ordering Key

PA12BNT20NO-C2

Type	_____
Housing style	_____
Housing size	_____
Housing material	_____
Neutral	_____
Detection principle	_____
Sensing distance	_____
Output type	_____
Output configuration	_____
Connection type	_____
Cable connector	_____

Type Selection

Housing diameter	Range S _n	Connector	Ordering no. Receiver NPN, NO	Ordering no. Receiver NPN, NC	Ordering no. Receiver PNP, NO	Ordering no. Receiver PNP, NC	Ordering no. Emitter
M12	20 m	NO	PA12BNT20NO	PA12BNT20NC	PA12BNT20PO	PA12BNT20PC	PA12BNT20
M12	20 m	YES	PA12BNT20NO-C2	PA12BNT20NC-C2	PA12BNT20PO-C2	PA12BNT20PC-C2	PA12BNT20-C2

Note: Please order emitter and receiver separately

Specifications Emitter

Rated operational volt. (U _B)	10 to 30 VDC	Light source	LED, 860 nm
Ripple (U _{rrp})	≤ 10%	Light type	Infrared, modulated
Supply current	≤ 20 mA	Light spot	1580 mm @ 12 m
Protection	Reverse polarity, transients	Emitter angle	± 3.8° @ 12 m
Power ON delay (t _v)	≤ 100 ms	Power adjustment	R _x ~ 3 kΩ -10 kΩ
Control input			4...24 m in 19 steps
Normal oper.	> 1.5 VDC		
Mute	< 1.2 VDC		

Specifications Receiver

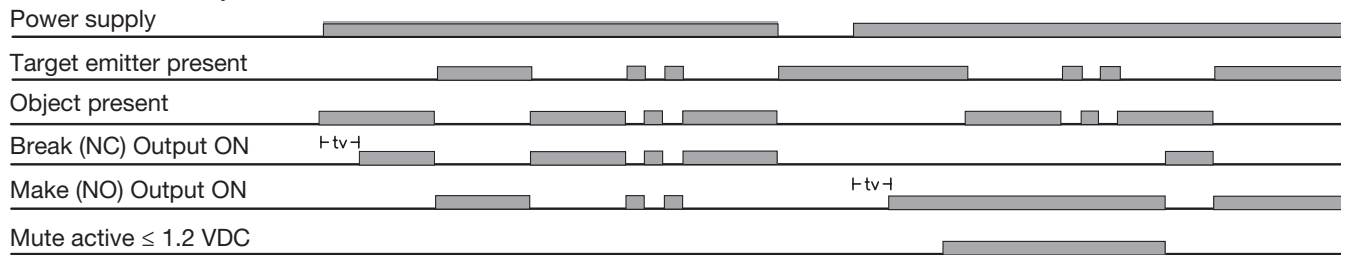
Rated operating dist. (S_n)	20 m	Protection	Short-circuit, reverse polarity, transients
Blind zone	None	Utility category	DC12 Control of resistive loads and solid state loads with optical insulation DC13 Control of electromagnets
Temperature drift	≤ 0.4%/°C	Ambient light	> 20.000 Lux (EN60947-5-2)
Hysteresis (H)	3 - 20%	Detection angle	± 2.9° @ 12 m
Rated operational volt. (U_B)	10 to 30 VDC (ripple included)	Operating frequency (f)	100 Hz
Ripple (U_{rrp})	≤ 10%	Response time	OFF-ON (t _{ON}) ≈ 6.5 ms ON-OFF (t _{OFF}) ≈ 3.5 ms
No load supply current (I_o)	≤ 16 mA	Power ON delay (t_v)	≤ 100 ms
Output current		Output function	NPN or PNP Make or break (NO or NC)
Continuous (I _a)	≤ 100 mA		
Short-time (I)	≤ 100 mA, (max. load capacity 100 nF)		
Minimum operational current (I_m)	0.5 mA		
OFF-state current (I_r)	≤ 100 μA		
Voltage drop (U_d)	≤ 1.6 VDC @ 100 mA		

General Specifications

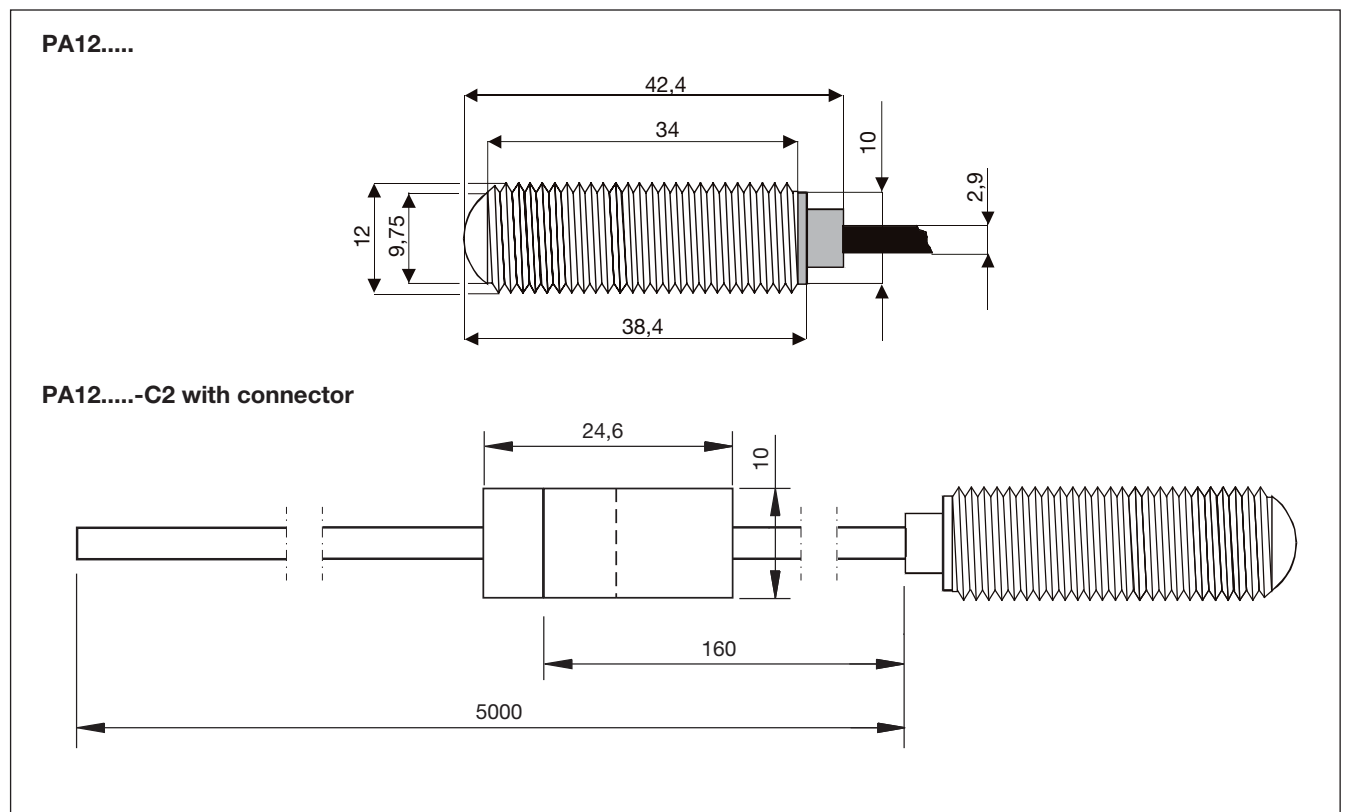
Environment		Electrical fast transients/burst (EN 61000-4-4)	± 4 kV
Overvoltage category	III (IEC 60664/60664A, 60947-1)	Surge (EN 61000-4-5)	
Pollution degree	3 (IEC 60664/60664A, 60947-1)	Power-supply	> 1 kV (with 500 Ω)
Degree of protection	IP67 (IEC 60529; EN60947-1) 1, 2, 3, 4, 6, 12, 13 (NEMA types)	Sensor output	> 1 kV (with 500 Ω)
Temperature		Wire conducted disturbances (EN 61000-4-6)	> 10 Vrms
Operating	-20° to +50°C (-4° to +122°F)	Power-frequency magnetic fields (EN 61000-4-8)	
Storage	-25° to +80°C (-13° to +176°F)	Continuous	> 30 A/m, 38 μ tesla
Rated insulation voltage	75 VDC	Short-time	> 300 A/m, 380 μ tesla
Dielectric test voltage	500 Vac rms (EN60947-1)	Vibration (IEC 60068-2-6)	10 to 150 Hz, 1 mm / 15 g
Rated impulse withstand test	800 V (1.2 / 50 μs) (EN60947-1)	Shock (IEC 60068-2-27)	30 G / 11 ms, 6 pos, 6 neg per axis
ESPE	Type 2	Free fall (IEC 60068-2-31)	2 times from 1 m 100 times from 0.5 m
PFH_d	6 x 10 ⁻⁸ failure per hour (worst case SRP for CS)	Pig-tail connector (-C2)	3-pol micro MATE-N-LOK Series, AMP/TE
Diagnostic coverage	99 % (EN13849-1: 2008)	Housing material	
Performance level	C (EN13849-1: 2008)	Body	M12-Stainless Steel
MTTF_d (worst case full sensor)	345 Years (worst case full receiver) EN ISO 13849-1, SN 29500 412 Years (worst case full emitter) EN ISO 13849-1, SN 29500	Front	PC black
Electrostatic discharge (EN61000-4-2)		Connection	
Contact discharge	> 12 kV	Cable	PVC, Emitter: grey / Receiver: black, 5 m, 3 x 0.14 mm ² , Ø 2.9 mm
Air discharge	> 8 kV	Weight	
Radiated RF electromagnetic fields (EN 61000-4-3)	> 10 V/m	Emitter	80 g
		Receiver	80 g
		CE-marking	EN12445, EN12453, EN12978, EN 60947-5-2
		UL-Approval	UL325 UL508, CSA-C22.2 No.247

Operation Diagram

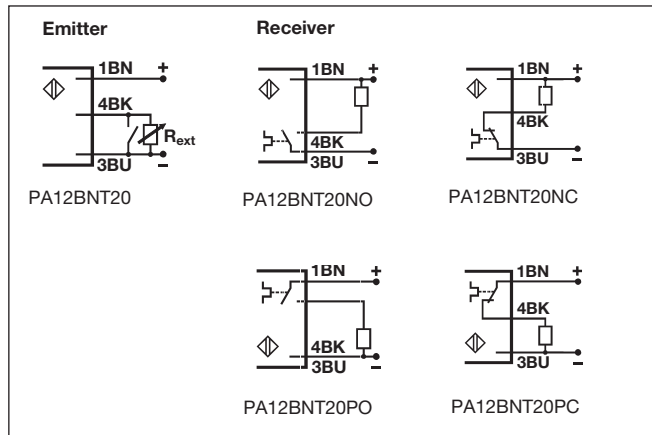
tv = Power ON delay



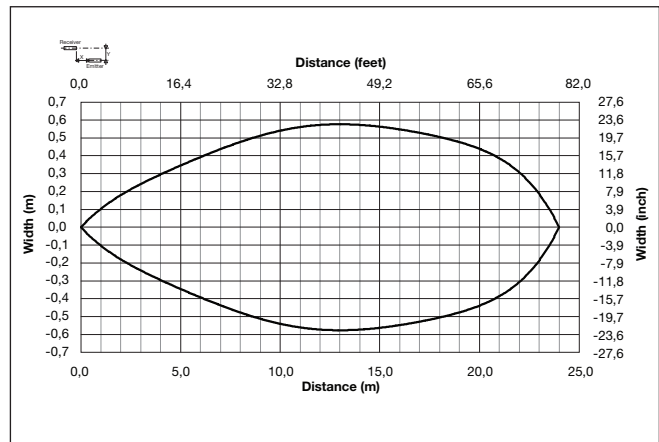
Dimensions



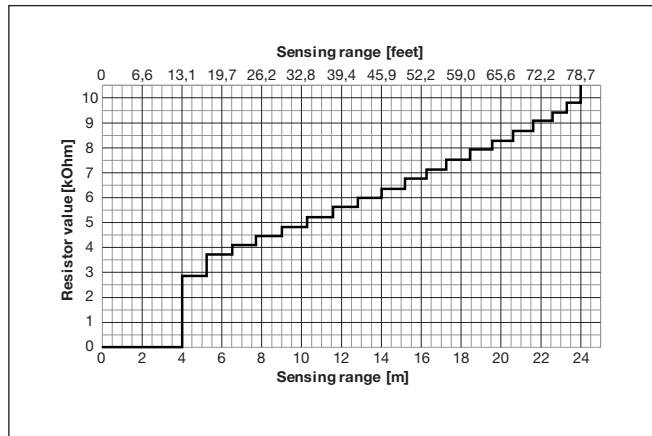
Wiring Diagram



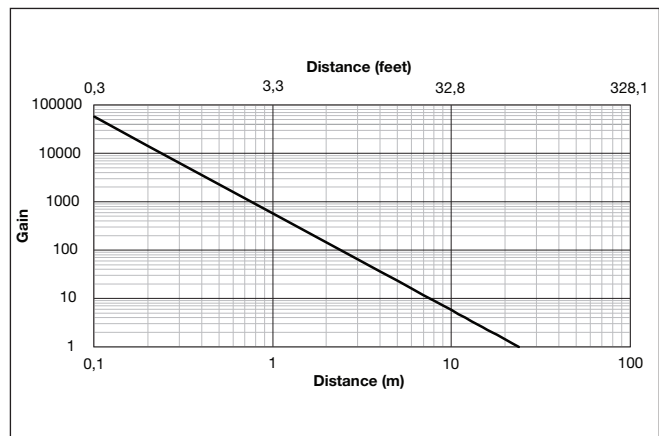
Detection Diagram



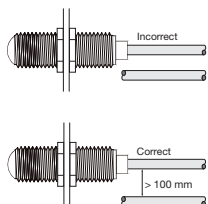
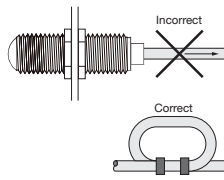
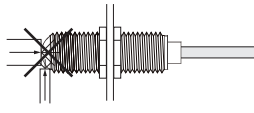
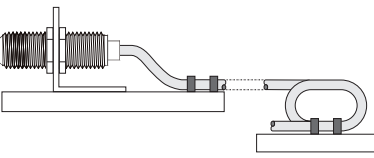
Power adjustment curve



Excess Gain



Installation Hints

<p>To avoid interference from inductive voltage/current peaks, separate the prox. switch power cables from any other power cables, e.g. motor, contactor or solenoid cables</p> 	<p>Relief of cable strain</p>  <p>The cable should not be pulled</p>	<p>Protection of the sensing face</p>  <p>A proximity switch should not serve as mechanical stop</p>	<p>Switch mounted on mobile carrier</p>  <p>Any repetitive flexing of the cable should be avoided</p>
---	---	---	--

Delivery Contents

- PA12
- Packaging: plastic bag

X-ON Electronics

Largest Supplier of Electrical and Electronic Components

Click to view similar products for [Photoelectric Sensors](#) category:

Click to view products by [Carlo Gavazzi](#) manufacturer:

Other Similar products are found below :

[7442AD2X5FRX](#) [EX-19B-LP](#) [7443AR0X5FRX](#) [7452AD4D4NNX](#) [F3WD052C5M](#) [7655AR-04-F-1-2-RX](#) [7694ADE04DS2X](#) [FE7C-FRC6S-M](#) [PM-R24-R](#) [Q45VR2FPQ](#) [13104RQD07](#) [E3JUXM4MN](#) [E3L2DC4](#) [E3S3LE21](#) [E3SCT11M1J03M](#) [E3SDS20E21](#) [E3VDS70C43S](#)
[E3XNM16](#) [BR23P](#) [HOA6563-001](#) [OJ-3307-30N8](#) [OS-311A-30](#) [P32013](#) [P34036](#) [P43004](#) [P56001](#) [P60001](#) [PB10CNT15PO](#) [S14132](#) [935286-000](#) [S52101](#) [S56258](#) [SH-21E](#) [FD-SN500](#) [FE7B-FDRB6-M](#) [SU-79](#) [T36342](#) [T40300](#) [T60001](#) [PD60CNX20BP](#) [FX2-A3R](#) [FX-302-HY](#) [FZS](#)
[PM-T64W](#) [PX-22](#) [PZ2-51P](#) [CX-491-P-J](#) [CYNUTX10](#) [UZH802](#) [UZH803](#)