

Photoelectrics Retro-reflective Type PA18ALR30T., AC, Metal housing

CARLO GAVAZZI



- Range: 3 m
- Modulated infrared light
- Supply voltage: 20 to 250 VAC
- Output: 500 mA SCR
- Make and break switching functions
- LED output indication
- High immunity to ambient light
- Heavy duty M18 metal housing, IP 67
- Cable and plug versions



Product Description

The PA18LR30.. is a family of general purpose retro-reflective sensors in a long M18 nickel-plated brass housing for heavy duty applications. They are useful for simple applications, where a basic sensor provides adequate sensing performance. The sensors are easy to adjust with a 270° single-turn potentiometer. The output is a 2-wire NO or NC thyristor (SCR) output.

Ordering Key PA18ALR30TOM6SA

Type	_____
Housing style	_____
Housing size	_____
Housing material	_____
Housing length	_____
Detection principle	_____
Sensing distance	_____
Output type	_____
Output configuration	_____
Connection type	_____
Adjustable	_____

Type Selection

Housing diameter	Rated operating dist. (S _n)	Ordering no. SCR/cable Make switching	Ordering no. SCR/plug Make switching	Ordering no. SCR/cable Break switching	Ordering no. SCR/plug Break switching
M18	3 m	PA18ALR30TOSA	PA18ALR30TOM6SA	PA18ALR30TCSA	PA18ALR30TCM6SA

Note: Plugs and reflector to be ordered separately

Specifications

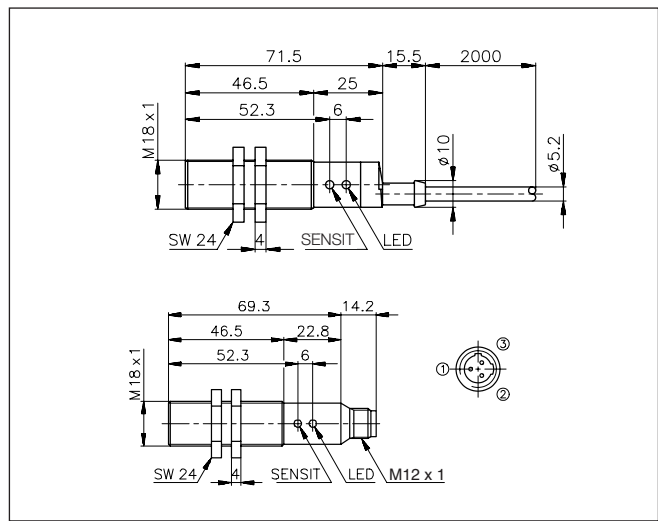
Rated operating dist. (S _n)	Up to 3 m Ref. reflector type ER4, Ø 84 mm	Optical angle	±2.2°
Sensitivity	270° single-turn pot. meter	Light spot size	150 mm at 2 m
Temperature drift	0.4%/K	Ambient light	Max. 10,000 lux
Hysteresis (H) (Differential travel)	3 to 20%	Operating frequency (f)	Max. 20 Hz, light/dark ratio 1:2
Rated operational volt. (U _B)	20 to 250 VAC, 45 to 65 Hz	Response time	
Output current (AC 12, AC 140) Continuous (I _e) Short-time (I)	≤ 500 mA ≤ 3 A, max. 20 ms	OFF-ON (t _{ON})	≤ 20 ms
Min. operational current (I _m)	10 mA	ON-OFF (t _{OFF})	≤ 30 ms
OFF-state current (I _o)	< 5 mA, typ. 2.6 mA	Power ON delay (t _v)	Typ. 100 ms
Voltage drop (U _d)	≤ 10 VAC, typ. 7 VAC	Indication function	Dark (NC) or light (NO) switching LED, yellow
Protection	Transients	Environment	
Transient voltage	1 kV/0.5 J	Overvoltage category	II (IEC 60664/60664A; 60947-1)
Light source	GaAlAs LED, 880 nm	Pollution degree	3 (IEC 60664/60664A; 60947-1)
Light type	Infrared, modulated	Degree of protection	IP 67 (IEC 60529; 60947-1)
		Temperature	
		Operating	-20° to +60°C (-4° to 140°F)
		Storage	-30° to +70°C (-22° to 158°F)
		Vibration	10 to 150 Hz, 0.5 mm/- 7.5 g (IEC 60068-2-6)
		Shock	2 x 1 m 100 x 0.5 m (IEC 60068-2-32)



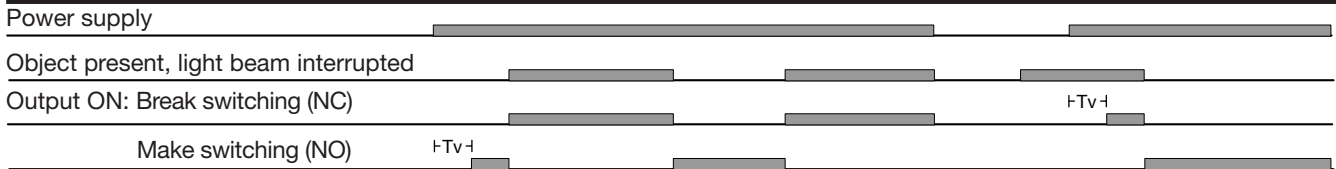
Specifications (cont.)

Dielectric voltage	1500 V (IEC 60364-4-41)
Housing material	
Body	Nickel-plated brass
Front	Luran®, black
Cable end	Polyester, black
Nuts	Nickel-plated brass
Connection	
Cable	Grey, 2 m, 2 x 0.5 mm ² , oilproof PVC
Plug	M12 x 1
Cables for plug (-3)	CON.6A-.. serie
Weight	
Cable version	150 g
Plug version	65 g
Approvals	UL, CSA
CE-marking	Yes

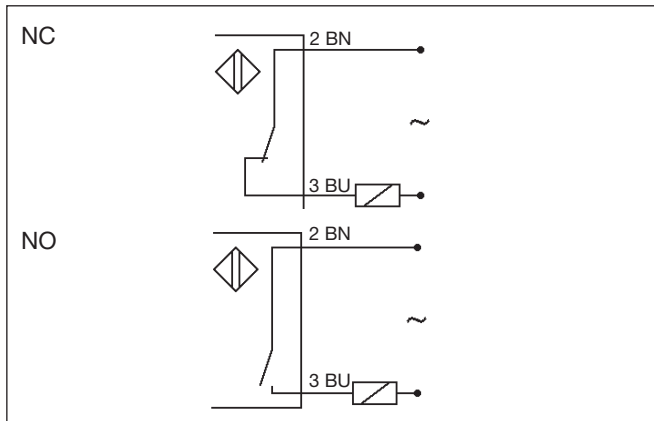
Dimensions



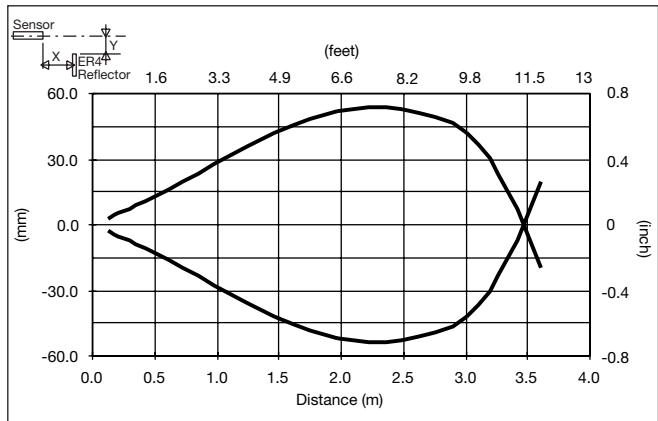
Operation Diagram



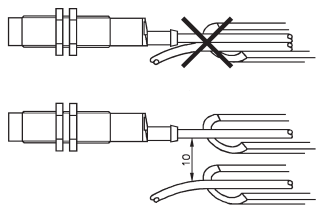
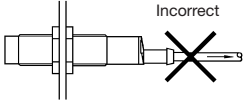
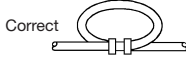
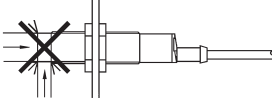
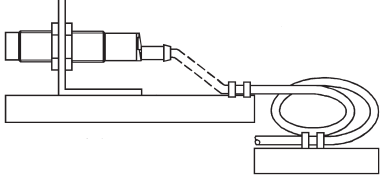
Wiring Diagrams



Detection Diagram



Installation Hints

<p>To avoid interference from inductive voltage/current peaks, separate the prox. switch power cables from any other power cables, e.g. motor, contactor or solenoid cables</p> 	<p>Relief of cable strain</p> <p>Incorrect</p>  <p>Correct</p>  <p>The cable should not be pulled</p>	<p>Protection of the sensing face</p>  <p>A proximity switch should not serve as mechanical stop</p>	<p>Switch mounted on mobile carrier</p>  <p>Any repetitive flexing of the cable should be avoided</p>
---	---	--	--

Delivery Contents

- Photoelectric switch: PA18ALR..
- 2 nuts
- **Packaging:** plastic bag

Accessories

- Reflectors: ER series
- Connector type CON.6A-.. serie
- MB18A
- APA18-RAR

For further information refer to "Accessories"

X-ON Electronics

Largest Supplier of Electrical and Electronic Components

Click to view similar products for [Photoelectric Sensors](#) category:

Click to view products by [Carlo Gavazzi](#) manufacturer:

Other Similar products are found below :

[022528-000](#) [10131270](#) [10131282](#) [10132112](#) [10132390](#) [10136503](#) [10137011](#) [10137012](#) [10137626](#) [10138309](#) [10138310](#) [10138745](#) [10139960](#)
[10139965](#) [10140588](#) [10140591](#) [10140593](#) [10140594](#) [10140708](#) [10140876](#) [10141536](#) [10141537](#) [10250TC2N](#) [1049062](#) [1161A-200](#)
[1202540067](#) [1265A-200](#) [1270A-300](#) [1273A-300](#) [13104A6513](#) [13104RQD07](#) [131520-000](#) [1450E-6514](#) [1451E-6547](#) [148582-000](#) [161](#)
[18.51.8.230.0040](#) [18.51.8.230.B300](#) [20848494](#) [298296-000](#) [301910-000](#) [395430-000](#) [3RG7120-3AA00](#) [3Z4S-LE SV-0614V](#) [3Z4S-LE SV-](#)
[0813V](#) [3Z4S-LE SV-10035V](#) [3Z4S-LE SV-1214H](#) [3Z4S-LE SV-1214V](#) [3Z4S-LE SV-3514H](#) [3Z4S-LE SV-3518V](#)